



Tripod turnstile C142

CTO series is an upgrade version special design for construction plant. With its unique design, it can entire solve the bottleneck of normal turnstile, make the turnstile become a effective tool for construction plant access control. More over, we optimize the mechanical structure and material, all turnstile use bulletproof PC material for barrier and card reader cover, it has higher fatigue resistance and impact resistance. The robust SUS body, anti-corrosive surface and waterproof design guaranteed the reliable operation of CTO series under the extreme outdoor conditions.

OPERATING MODES

- Single passage in the set direction
- Bi-directional single passage
- Free passage in the set direction
- Always free or locked

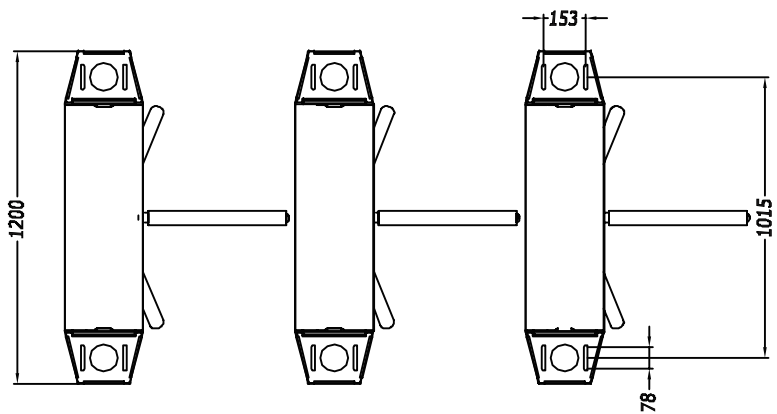
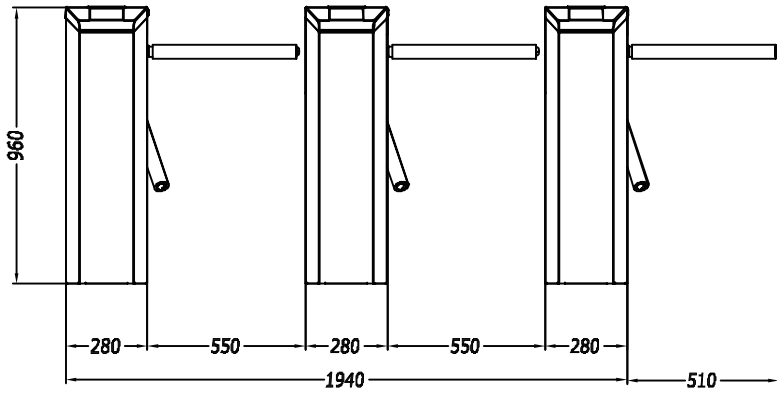
MATERIALS

- Housing: In stainless steel AISI 304 or AISI316.
- Barrier arm- stainless steel bar.

FEATURES AND BENEFITS

- The quiet low-energy drive consumes very little energy and adapts to the speed of the person entering.

- Access can be controlled by a variety of measures including card readers, bio metrics or the manual control panel.
- Power by adapter, easy for installation and after service..
- The turnstile top cover flashing LED direction indicators with bright pictograms displaying a status of the turnstile, indicating authorized/ not authorized and passage direction.
- Power module installed in a protect box to prevent humidity and dust, increase the lifespan and working performance to its maximum.
- Automatic "Anti-panic" barrier arms enable immediate clear the passageway in emergency situations without use of any special keys or tools.
- Card reading memory function, the user can set multiple time card reading passing or single time card reading passing.
- Automatic reset function. If a passer does not pass the way during required time, the system will automatically cancel his right of pass.
- Security lock on lateral cover provide easy access for maintenance and prevents tampering.
- Outdoor operation without shelter with the temperature range from -25°C to + 70°C.



| | | |
|---------------------------|--------|--------------|
| Technical Data | Unit | C142 |
| Passage width | mm | ≤550 |
| Throughput rate | p/m | 35 |
| Power supply | V/(ac) | 100-240 |
| Operational voltage | V/(dc) | 24 |
| Max power consumption | w | 30 |
| Frequency | hz | 50-60 |
| Protection level | IP | >44 |
| Working temperature | degree | -25 to +70 |
| Dimension excluding bars | mm | 1200*280*960 |
| Net weight including bars | Kg | 35 |

Project Cases

