

AN ISO 9001 : 2015 COMPANY | SINCE : 1979



## MATERIALS HANDLING EQUIPMENT



## CRANES & WIRE ROPE HOIST

# E.O.T. Cranes



“TACKLERS” make overhead traveling cranes manufactured by us include both single Girder and Double Girders (E.O.T. / H.O.T.). These are designed and manufactured in accordance with IS-807, IS-3177, IS-4137.

## SINGLE GIRDER OVERHEAD CRANES



1 TON TO 50 TON

- Double Girder Electric Overhead Traveling Cranes
- Single Girder Electric Overhead Traveling Cranes
- Heavy Duty Electric Overhead Traveling Cranes With Main And Auxiliary Hoists
- Under Slung Cranes

## DOUBLE GIRDER OVERHEAD CRANES



1 TON TO 500 TON



## GOLIATH / GANTRY CRANES



1 TON TO 80 TON

"TACKLERS" heavy duty Gantry Crane is the ideal material handling equipment for various industries and project like maintenance hargers, factories, Power Stations, Large Water Works, Railway yards, harbours, warehouses, construction sites, transporters, mines, quarries, heavy fabrication units, contracting firms etc. It finds numerous application such as loading and unloading trucks, heavy pipe laying in trenches, erection of bulky equipment, shifting of heavy load etc.

## UNDER SLUNG CRANES



0.5 TON TO 25 TON

# JIB CRANES 0.5 TON TO 5 TON



“TACKLERS” make Jib Cranes are built to consistently high specification confirming to IS : 807 & IS : 3938.

PILLER MOUNTED



PILLER MOUNTED



WALL TRAVELING

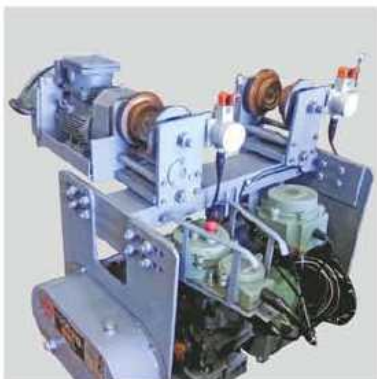
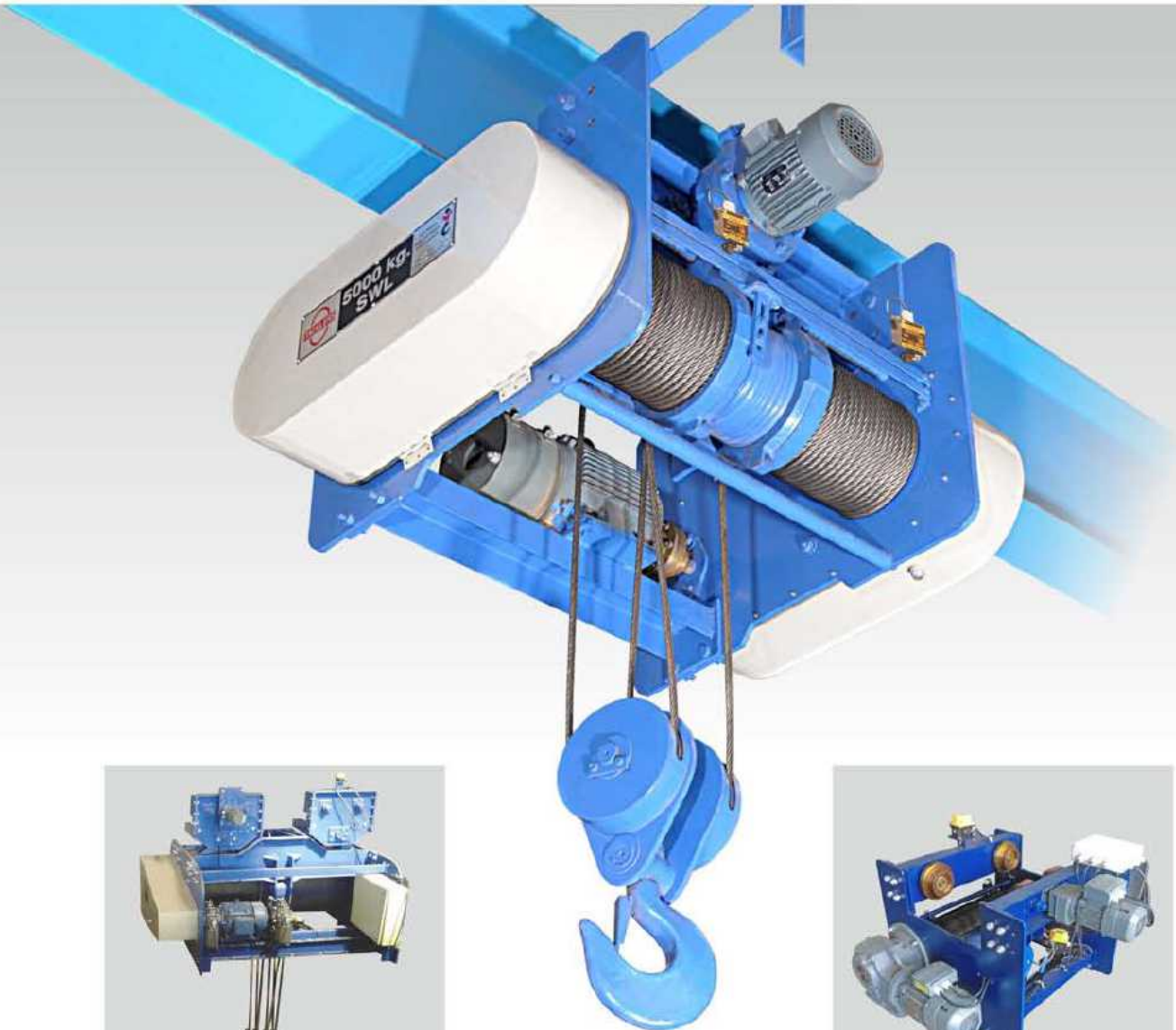


## FEATURES

- M. S. Gusset plates / thick base plates giving added rigidity to column.
- Mast fabricated from pipe / rolled steel sections.
- Jib arm fabricated from heavy section I-Beam and triangular truss construction / Plate Fabrication
- Bearing-double roller self aligned, thrust roller bearing to take care of horizontal and vertical loading as well as radial thrust.
- Swivelling through chain at the end of jib arm or Electric (if required)
- Base plate drilled to take holding down bolts.
- Available with 180° and 360° swivelling boom.



# Electric Wire Rope Hoists



- Complete Electrical Wire Rope Hoists
- High Lift Hoist
- Curvature Type Hoist
- Low Head Room Hoist
- Flame Proof Hoist
- Fix Suspension Hoist



## APPLICATIONS OF HOISTS

Steel Plants, Power Plants, Oil & Gas, Constructions Site, Factories, Ware Houses, Heavy Fabrication Units, Railway Yards, Transporters, Mine Quarries, Harbours, Large Water Works, Marine etc.



### WIRE ROPE

6 x 37 construction special plough hempcore flexible steel wire rope, having safety factor of 6 for class II and 7 for class III duty, is provided on the hoist Galvanized and other construction of rope can be provided for special application,



### MOTOR

Foot mounted squirrel cage induction motor designed and manufactured to IS 325 of reputed make are used, Motors are totally enclosed, half hour rated, with high starting torque, specially designed and built for hoist duty. The motors suitable for frequent start stop well as braking and are provided with class "B" insulation.



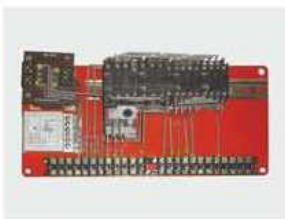
### BRAKE

Disc shoe type spring loaded brakes are provided for heavy duty operation. Brakes are mounted on the non-driving end of the motor and are easily accessible.



### TROLLEY

Cross Travel Trolley are designed to suit either standard Rolled Steel Joist or box girder. The trolley frame is rigidly bolted with hoist frame through series of holes. This also ensures proper adjustments of flange with C.T. Wheels are provided with ball bearing and mounted on EN 8 Steel axles. The motorized trolley units have spur gearbox. Hand geared trolley and push pull trolley are also available.



### CONTROLS

Every hoist is provided with a control panel comprising of Standard make heavy duty, direct-on line reversing type air brake contactors, transformer and fuses. All these are housed in dust proof M.S. fabricated sheet metal cabinet. The pendant push button station is provided at adequate height duly suspended by steel chain or wire rope, operation at 24 / 110 volts to avoid accident.



### GRARS

Alloy steel hobbed teeth helical spur gears with solid pinions running on ball / roller bearing with oil bath lubrication.



### PUSH BUTTON STATION

P.B. Switch of reputed make is used. 2 stations (Up and Down) and 4 stations (Up-Down and Left-Right).

### FRAME

All steel fabricated machined and bolted type. The gear box is rigidly aligned with the end load plates by substantially holding the transfer members which also from the motor platform for foot mounted motors.

### ROPE DRUM

The rope drum is made of sturdy seamless pipe or fabricated from steel plates and is grooved to take the full lift without overwinding. Large drum diameter to rope diameter ratio reduce wear and cable fatigue. The drum shaft revolves in ball bearing, ensuring smooth running.

### ROPE GUIDE

Standard "TACKLERS" hoist carries rope guide and pressure ring as standard feature. Cast iron fully encircling guide ring fixed around the grooves of the drum to ensure correct rope lay.

### FLAMEPROOF HOIST

"TACKLERS" wire rope hoist are specially built with flameproof electricals to suit hazardous area in chemical plants, confirming to IS : 2148, all electricals are duly certified by Central Mining Research Station, Dhanbad for classified gas groups I, IIA, IIB & IIC.

### FLAMEPROOF HOIST / CRANES & GOODS LIFT

Above "TACKLERS" products are with flame proof electricals confirm to IS : 2148, also duly certified by CMRS, Dhanbad and are suitable for Gas Group I, IIA and IIB.

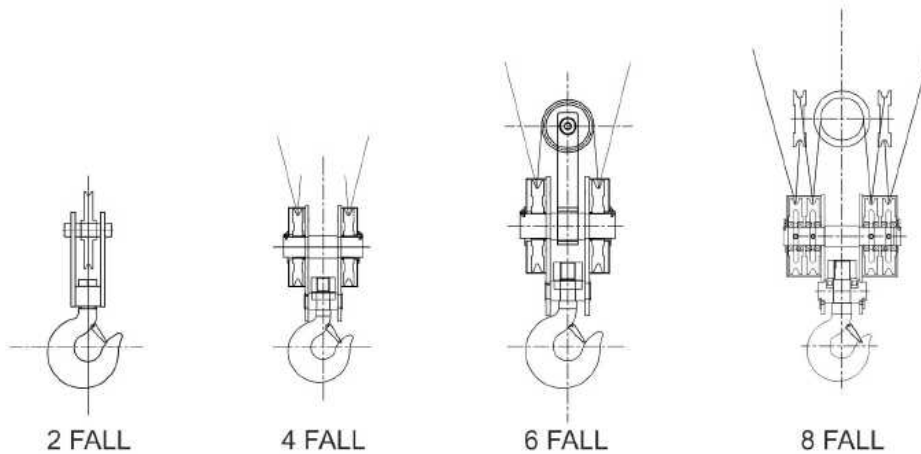
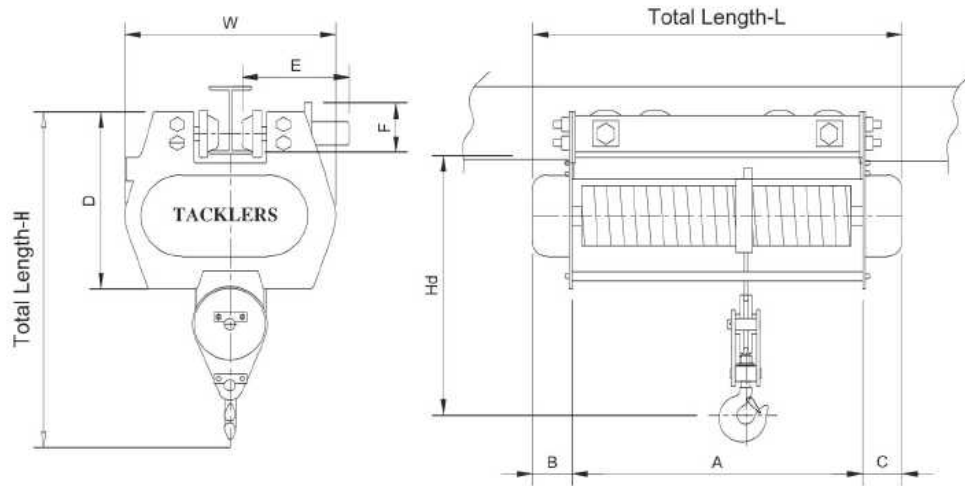
### BOTTOM BLOCK

Bottom Block Assembly consisting of drop forged steel hook mounted on thrust Ball Bearings, with large diameter sheave and hook plates made out of steel.

### LIMIT SWITCH

To avoid overwinding or overlowering of wire rope, limit switches are provided with each hoist, which ensures the highest and lowest position of load hook.





### TECHNICAL PARAMETERS OF HOISTS

CAPACITY		0.25 T	0.5T	1T	1.5T	2T	3T	5T	7.5T	10T	15T	17.5T	20T	25T
STD.LIFT (M)		6	6	6	6	6	6	6	6	6	6	6	6	6
HOISTING	SPEED MPM	3.5/5	3.5/4	3.5/4	3.5/4	3.5/4	3.5	3.5	3	3	2.5	1.5-2	1.5-2	1.5-2
	MOTOR HP	0.25	0.75	1.5	2	3	3	5	7.5	10	12.5	20	20	25
CROSS TRAVEL	SPEED MPM	12/15	15/17	15/17	15/17	15/17	15/17	15/17	15	15	15-17	15-17	15-17	15-17
	MOTOR HP	0.5	0.25	0.25	0.25	0.5	0.5	0.75	0.75	1	1.5	1.5	2	2
NO. OF FALL		2	2	2	2	2	2	4	4	4	4	4/8	4/8	4/8
HEAD ROOM (HD)		500	650	650	750	750	1000	1050	1350	1350	1800	1700	2000	2000
TOTAL LENGTH(L)		515	840	840	680	930	1180	1080	1090	1440	1800	1800	1800	1800
TOTAL WIDTH(W)		385	570	570	570	620	870	870	110	1110	1530	1550	1550	1550
TOTAL HEIGHT(H)		385	780	790	800	875	1170	1170	1600	1850	1900	1350	1350	1500
A		365	470	470	530	530	685	785	900	950	950	1150	1300	1300
B		135	165	165	200	200	265	265	320	300	345	350	350	350
C		115	200	200	200	200	230	230	260	190	200	350	350	350
D		345	440	470	440	580	700	650	835	850	1040	1050	1050	1050
E		340	425	425	550	550	650	650	700	700	500	800	800	800
F		150	200	200	200	250	260	260	260	330	330	480	480	480
WEIGHT(KGS.)		55	175	180	190	265	480	560	980	1060	2000	2300	2500	3500



Manufactured by :



**UNIT 1 :**  
Plot : 613, Phase - IV, G.I.D.C., Vatva,  
Ahmedabad - 382 445, Gujarat, India.

**UNIT 2 :**  
Plot : 5,6,7 - Devraj Industrial Park, Piplaj-Pirana Road, Piplaj,  
Ahmedabad - 382 445, Gujarat, India.

CONTACT WITH US BY :



Phone : + 91 - 79 - 40323330, 25830742, 25892129  
Tele Fax : + 91 - 79 - 25831839  
Mobile : 09377039904 / 09328739901 / 09825073608 / 09825442511  
E - mail : info@technoind.com Web site : www.technoind.com

## SOME OF OUR VALUED CUSTOMERS

