

Global Techniques For Energy



The Solar Factory



We are looking for partners in Europe.

Our products is not only superior in quality , but also comes with Euro one trading certificate which Entitle European customers to avoid taxes or customs

If you think you are qualified to partner with us you will surly get good product with good income Call us today to arrange your first shipment

info@GTE.solar

www.egysolarfactory.com



Global Techniques For Energy

64 Nargess 3 , New Cairo 11385
Egypt
tel: +201002477600

SOLAR PANEL

DATA SHEET



Mono Perc







380-530 w



• Mono perk cells

On the silicon wafers, rely on the advanced technology and unique understanding of materials throughout the product design, to ensure the stable power output of the module, and effectively improve the efficiency and reliability of the modules.

• Key features

-  Less mismatch to get more power
-  Less power loss by minimizing the shading impact
-  Competitive low light performance
-  3 times EL test to ensure best quality
-  Ideal choice for utility and commercial scale projects by reduced BOS and improve ROI.
-  **PVEL** Outstanding reliability proven by PVEL for stringent environment condition :
 - sand, acid, and alkali, hail stones
 - 2400pa wind load and 5400pa snow load
 - Anti-PID

• Quality System

ISO19001 / ISO14001 / OHSAS18001

• Product Certification



• Insurance

PICC

• Warranty



Guarantee on product material and workmanship



linear power output warranty



Electrical Characteristics

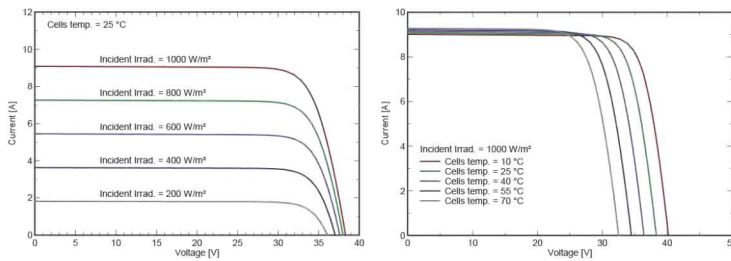
Maximum Power at STC	Pmax	400 W
Open Circuit Voltage	Voc	48.8 V
Optimum Operating Voltage	Vmp	41.47 V
Short Circuit Current	Isc	10.168 A
Optimum Operating Current	Imp	9.757 A
Power Tolerance	%	0-3
Fuse Current		20A
Efficiency	%	22.4

Operating Temperature -40~+85 °C

Nominal Operating Cell Temperature 45 ± 2 °C

STC: Irradiance 1000 W/m² module temperature 25°C AM=1.5
NOCT: Irradiance 800 W/m² ambient temperature 20°C wind speed :1m/s
Power measurement tolerance: +/-3%

I-V Curve



Mechanical Specifications

Length	mm	1969
Width	mm	996
Height	mm	40
Weight	kg	22.3
Temperature Limits	°C	-40 TO +85
Maximum System Voltage	V DC	1500
Junction Box		IP 68
Nominal Cell Temperature	NOCT	45 °C

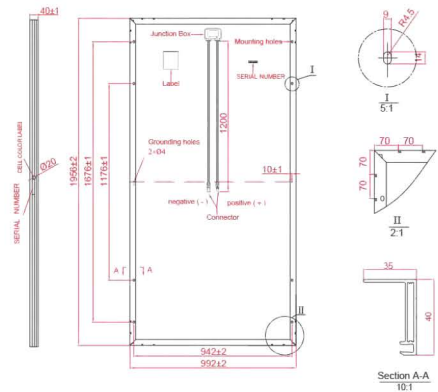
Packing Configuration

External Dimension

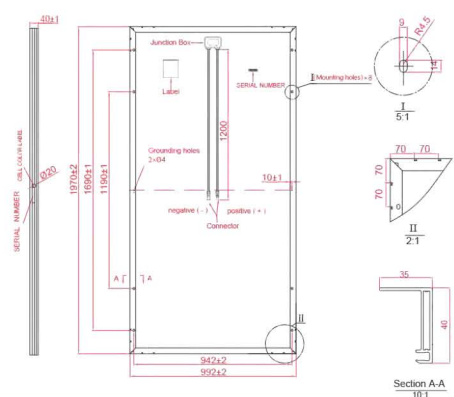
Container	20'GP	40'HQ
Pieces per Pallet	27	27+2*
Pallets per Container	10	22
Pieces per Container	270	638

* 27+2 pieces per pallet is the special package which only suits for container transport

Technical drawing



Technical drawing



* All Dimensions in mm.

* The above drawing is a graphical representation of the product.



Electrical Characteristics

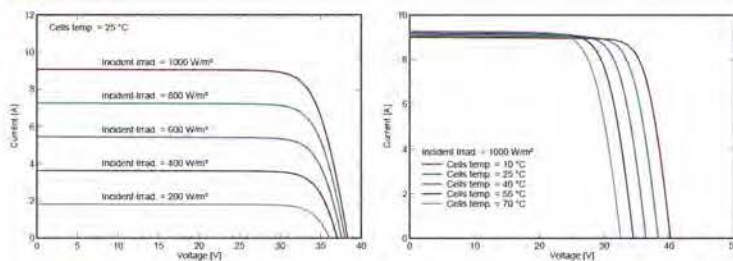
Maximum Power at STC	Pmax	530 W
Open Circuit Voltage	Voc	42.752 V
Optimum Operating Voltage	Vmp	36.708 V
Short Circuit Current	Isc	15.00 A
Optimum Operating Current	Imp	14.42 A
Power Tolerance	%	0-3
Fuse Current		20A
Efficiency	%	22.4

Operating Temperature -40~+85 °C

Nominal Operating Cell Temperature 45 ± 2 °C

STC: Irradiance 1000 W/m² module temperature 25°C AM=1.5
NOCT: Irradiance 800 W/m² ambient temperature 20°C wind speed :1m/s
Power measurement tolerance: +/-3%

I-V Curve



Mechanical Specifications

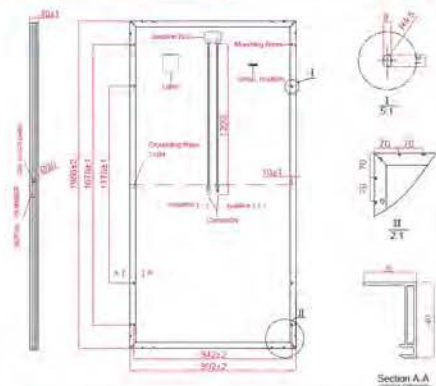
Length	mm	1969
Width	mm	1320
Height	mm	40
Weight	kg	22.3
Temperature Limits	OC	-40 TO +85
Maximum System Voltage	V DC	1500
Junction Box		IP 68
Nominal Cell Temperature	NOCT	45 °C

Packing Configuration

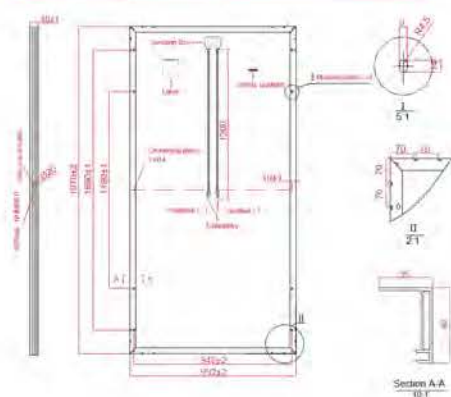
External Dimension		
Container	20'GP	40'HQ
Pieces per Pallet	27	27+2*
Pallets per Container	10	22
Pieces per Container	270	638

* 27+2 pieces per pallet is the special package which only suits for container transport

Technical drawing



Technical drawing



* All Dimensions in mm

* This drawing is a graphical representation of the product



Poly







300-440w



• Poly cells

On the silicon wafers, GTE rely on the advanced technology and unique understanding of materials throughout the product design, to ensure the stable power output of the module, and effectively improve the efficiency and reliability of the modules.

• Key features

-  Less mismatch to get more power
-  Less power loss by minimizing the shading impact
-  Competitive low light performance
-  3 times EL test to ensure best quality
-  Ideal choice for utility and commercial scale projects by reduced BOS and improve ROI.
-  Outstanding reliability proven by PVEL for stringent environment condition :
 - sand, acid, and alkali, hail stones
 - 2400pa wind load and 5400pa snow load
 - Anti-PID

• Quality System

ISO19001 / ISO14001 / OHSAS18001

• Product Certification



• Insurance

PICC

• Warranty



10
YEARS

Guarantee on product material and workmanship

25
YEARS

linear power output warranty



Global Techniques for Energy

64 Nargess 3 , New Cairo 11385
Egypt
tel: +201002477600

Electrical Characteristics

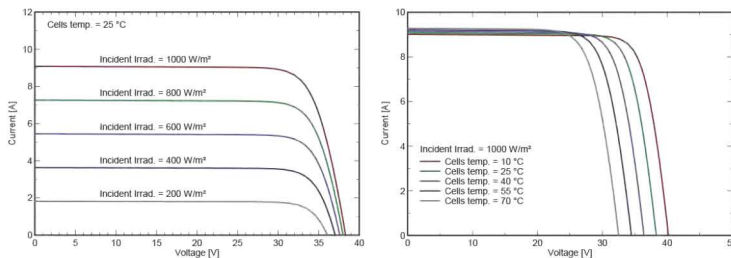
Maximum Power at STC	Pmax	335 W
Open Circuit Voltage	Voc	45.5 V
Optimum Operating Voltage	Vmp	36.987 V
Short Circuit Current	Isc	9.312 A
Optimum Operating Current	Imp	8.827 A
Power Tolerance	%	5
Fuse Current		20A
Efficiency	%	19.0

Operating Temperature -40~+85 °C

Nominal Operating Cell Temperature 45 ± 2 °C

STC: Irradiance 1000 W/m² module temperature 25°C AM=1.5
NOCT: Irradiance 800 W/m² ambient temperature 20°C wind speed :1m/s
Power measurement tolerance: +/-3%

I-V Curve



Mechanical Specifications

Length	mm	1969
Width	mm	996
Height	mm	40
Weight	kg	22.3
Temperature Limits	°C	-40 TO +85
Maximum System Voltage	V DC	1500
Junction Box		IP 68
Nominal Cell Temperature	NOCT	45 °C

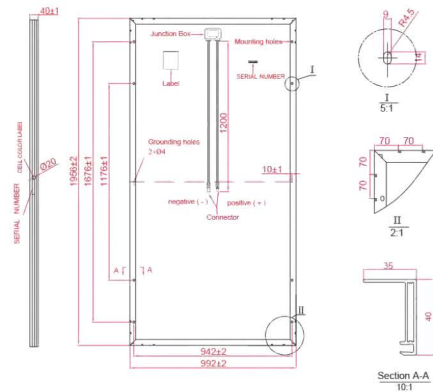
Packing Configuration

External Dimension

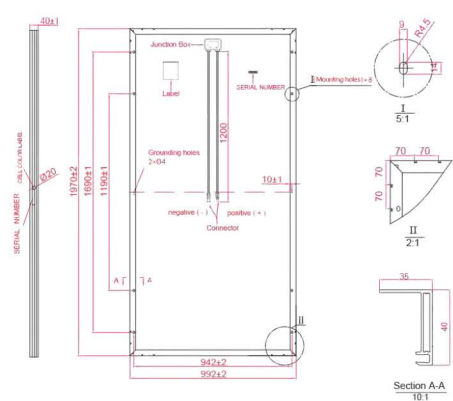
Container	20'GP	40'HQ
Pieces per Pallet	27	27+2*
Pallets per Container	10	22
Pieces per Container	270	638

* 27+2 pieces per pallet is the special package which only suits for container transport

Technical drawing



Technical drawing



* All Dimensions in mm.

* The above drawing is a graphical representation of the product.



Electrical Characteristics

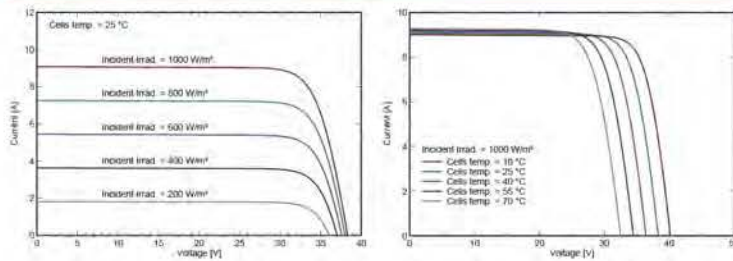
Maximum Power at STC	Pmax	445 W
Open Circuit Voltage	Voc	40.44 V
Optimum Operating Voltage	Vmp	33.00 V
Short Circuit Current	Isc	13.968 A
Optimum Operating Current	Imp	13.24 A
Power Tolerance	%	5
Fuse Current		20A
Efficiency	%	19.0

Operating Temperature -40~+85 °C

Nominal Operating Cell Temperature 45 ± 2 °C

STC: Irradiance 1000 W/m² module temperature 25°C AM=1.5
NOCT: Irradiance 800 W/m² ambient temperature 20°C wind speed 1m/s
Power measurement tolerance: +/-3%

I-V Curve



Mechanical Specifications

Length	mm	1969
Width	mm	1320
Height	mm	40
Weight	kg	22.3
Temperature Limits	OC	-40 TO +85
Maximum System Voltage	V DC	1500
Junction Box		IP 68
Nominal Cell Temperature	NOCT	45 °C

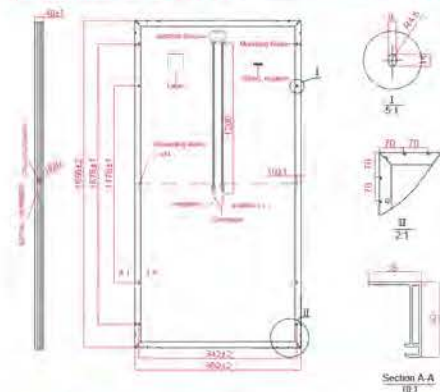
Packing Configuration

External Dimension

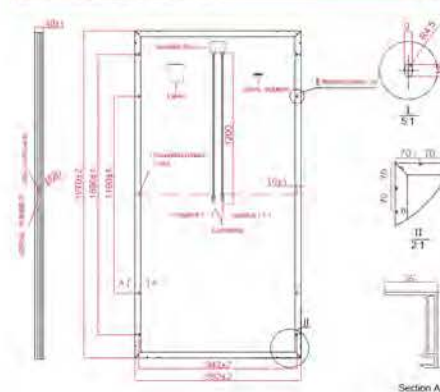
Container	20'GP	40'HQ
Pieces per Pallet	27	27*2*
Pallets per Container	10	22
Pieces per Container	270	638

* 27*2 pieces per pallet in the special package when only used for container transport.

Technical drawing



Technical drawing



* All dimensions in mm

* The above drawing is a graphical representation of the product.



CERTIFICATE

TÜV NORD CERT GmbH
herewith declares that

GLOBAL TECHNIQUES FOR ENERGY
64 NARGESS 3 NEW CAIRO 11835
EGYPT

is authorized to provide the product mentioned below with the mark as illustrated:

Description of product (details see Annex 2):

Crystalline Silicon Terrestrial Photovoltaic (PV) Modules



Valid from: 2022-09-22

Valid until: 2025-09-28

Certification program:	P12-VA-01 Rev. 17 09.20
Certification fundamental(s):	IEC / EN 61215-1:2016; IEC / EN 61215-1-1:2016; IEC 61215-2:2016 / EN 61215-2:2017 + AC:2017 + AC:2018; IEC 61730-1:2016 / EN IEC 61730-1:2018 + AC:2018; IEC 61730-2:2016 / EN IEC 61730-2:2018 + AC:2018.
Registered No.:	44 780 22 406749 - 220
Manufacturer:	see Annex 1
Test Report No.:	492012172.001
File No.:	PVP08097/22P



TÜV.NORD CERT GmbH
Certification Body
Consumer Products



Essen, 2022-09-22

Please also pay attention to the information stated overleaf.

