



**ENERTEK**

**WE DESIGN AND  
BUILD ENERGY  
SOLUTIONS**

[www.enertek.lv](http://www.enertek.lv)

May 2023

ABOUT ENERTEK

# Who are we?

## 1. Professionals

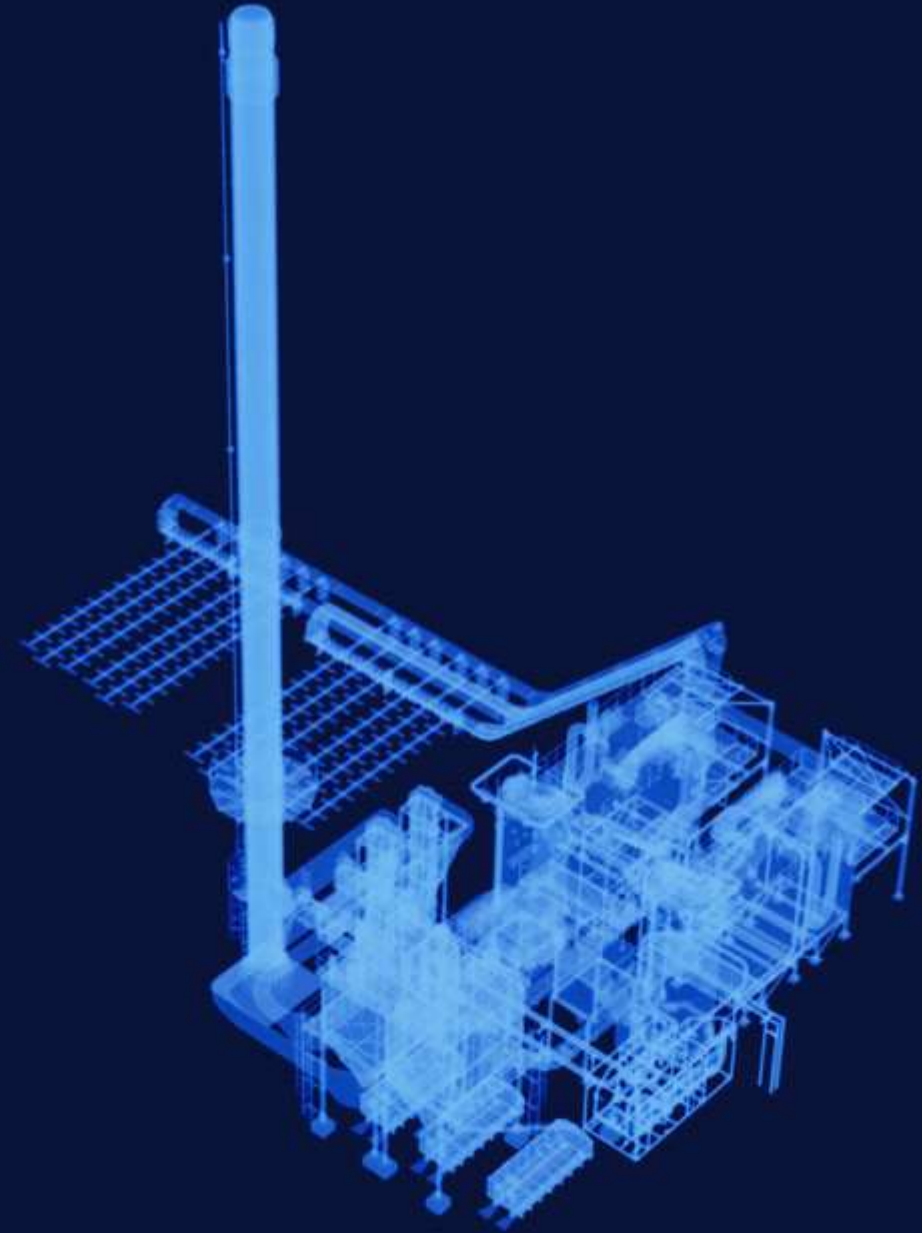
Specialists with vast experience gained in prestigious international companies in the Baltics, Scandinavia, and other countries.

## 2. Individual solutions

We know how to build and maintain a long-term relationship with our Customers and Partners.

## 3. Full responsibility for the projects

We offer a warranty period and provide support, both during the warranty period and after it.



ABOUT ENERTEK

# Why work with us?



## Professional approach

Efficient «turn-key» solutions for the most technologically complex and large-scale tasks



## Flexibility

Calculation, design, installation, and optimisation at any stage of your project



## Mutually advantageous solutions

Best solutions, that spare our partners and customers time and money



## Quality on time!

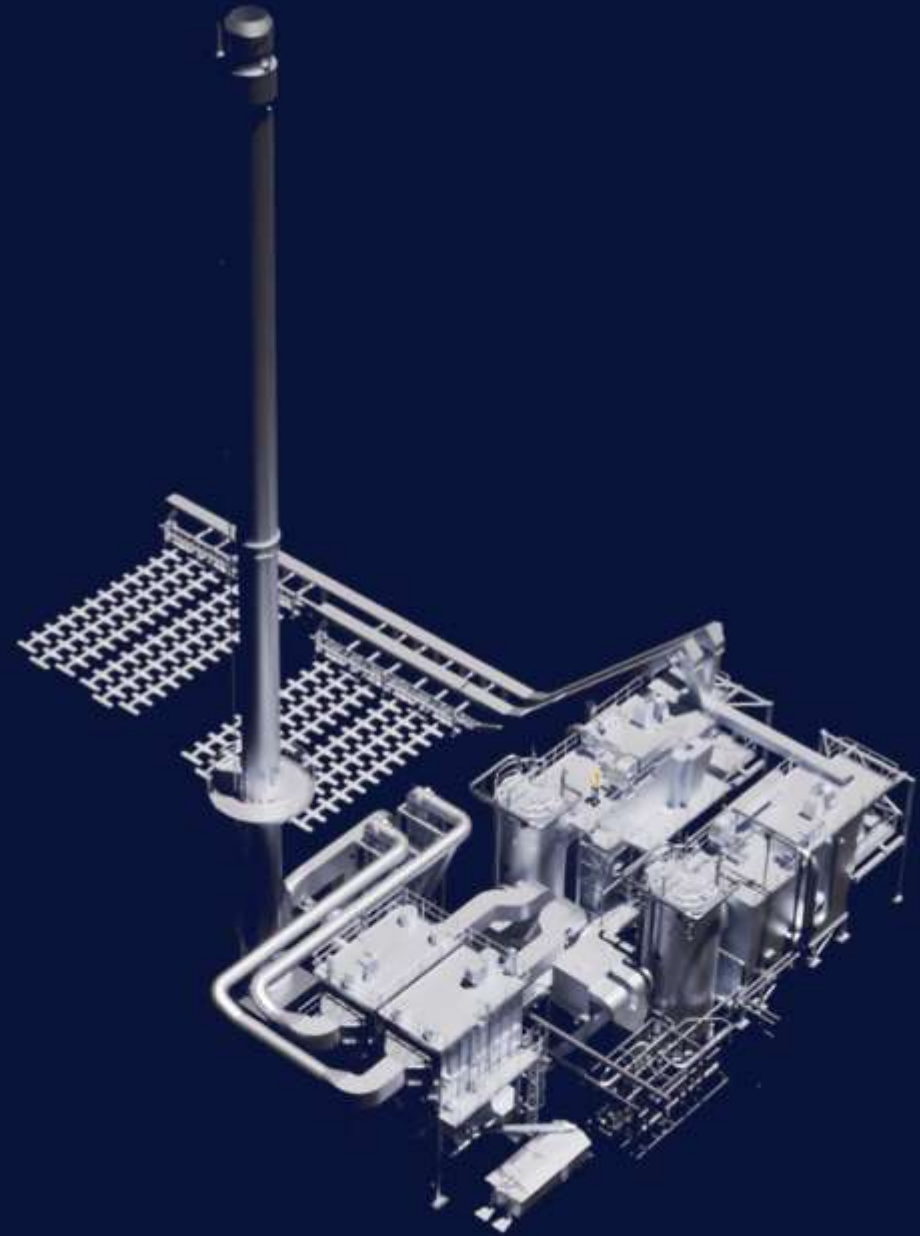
We provide guarantees for our services delivery time

OUR SOLUTIONS

# EPC contracts

Prioritizing the comprehension of your requirements to offer tailored solutions that contribute to a sustainable future is our main objective. A group of proficient professionals work closely to examine your needs and propose effective enhancements considering time and budget constraints.

Our dedication is to provide innovative and sustainable solutions that maximize efficiency, minimize waste, and lower expenses.

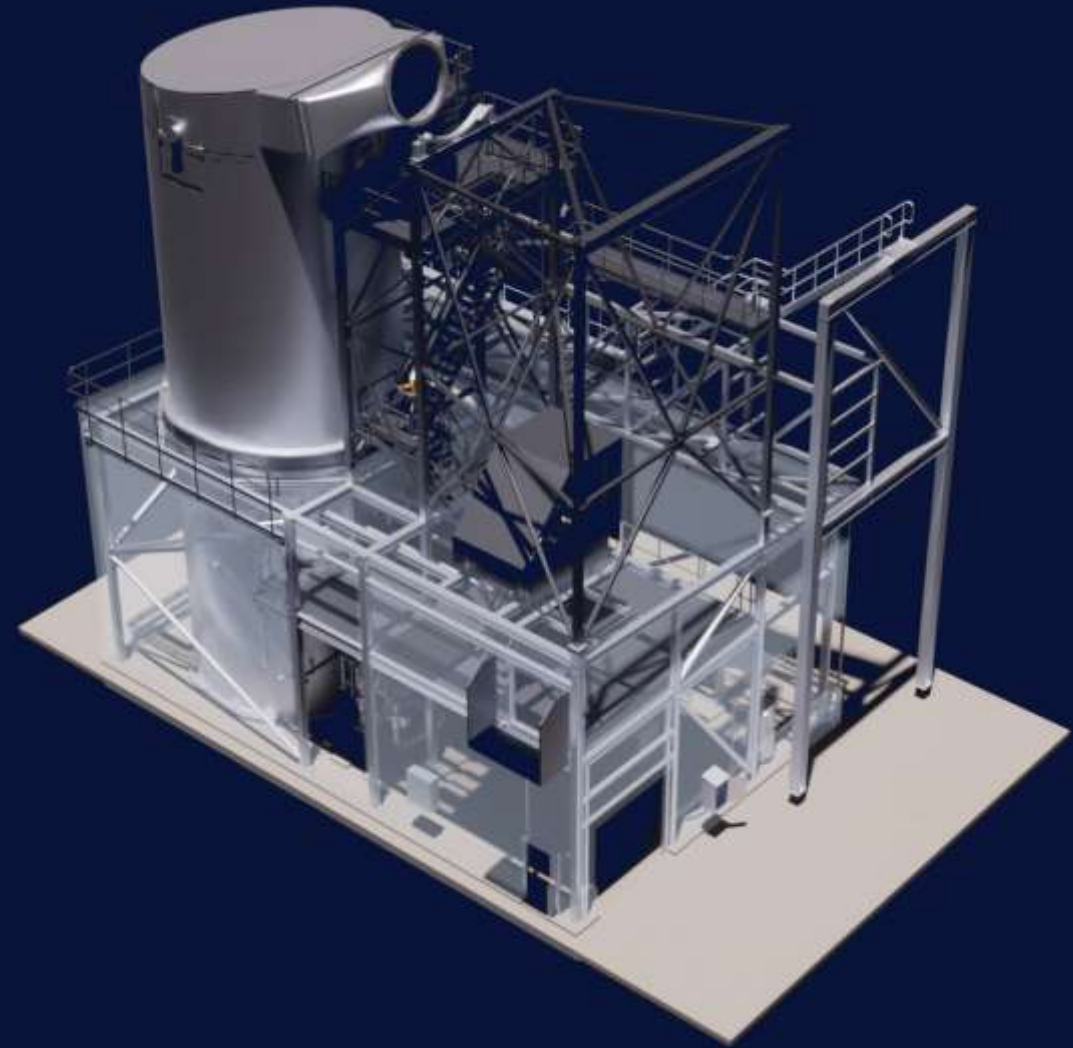


## OUR SOLUTIONS

# Reconstruction

Understanding the need for adapting to new regulations or improving process efficiency, a comprehensive analysis of the current system is offered, coupled with a thorough understanding of the client's needs and future goals.

A customized plan is then developed, incorporating new technologies and adapted processes, ensuring peak performance and efficiency of the system.



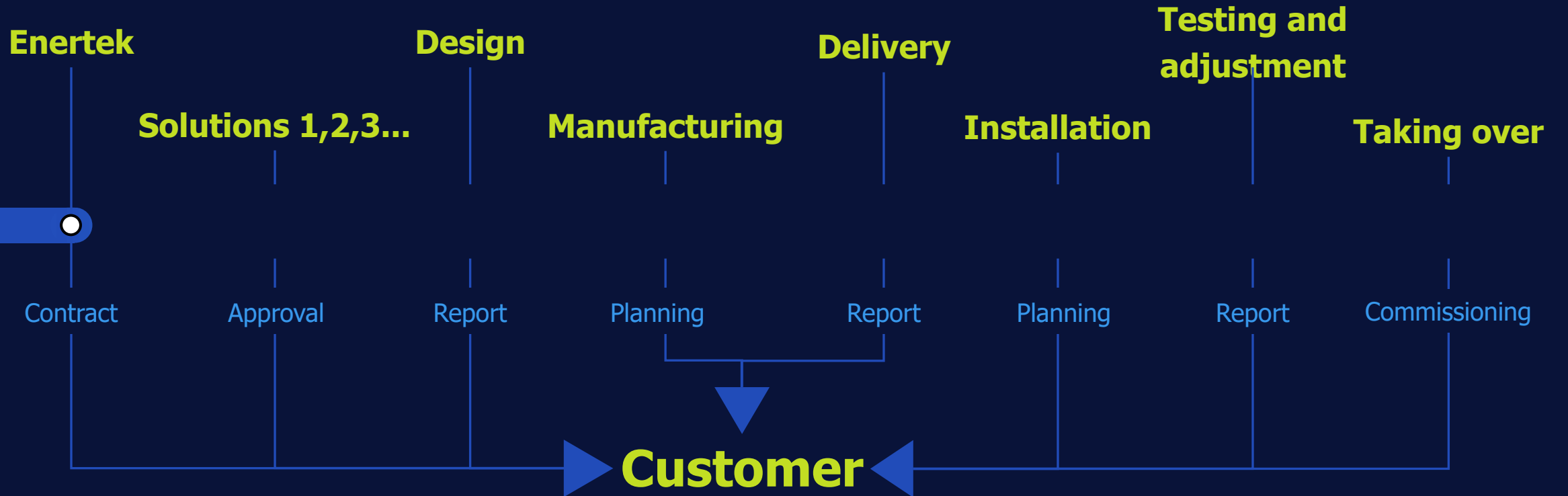
## OUR SOLUTIONS

# Custom solutions

Whether you are looking for renovation, repairs, or new project development, we have got you covered. Specializing in providing comprehensive services to businesses with high heat and energy consumption.

Our focus is on the construction, assessment, investigation, analysis, production, installation, service, and repair of diverse industrial systems. We take pride in our proficiency in these areas.



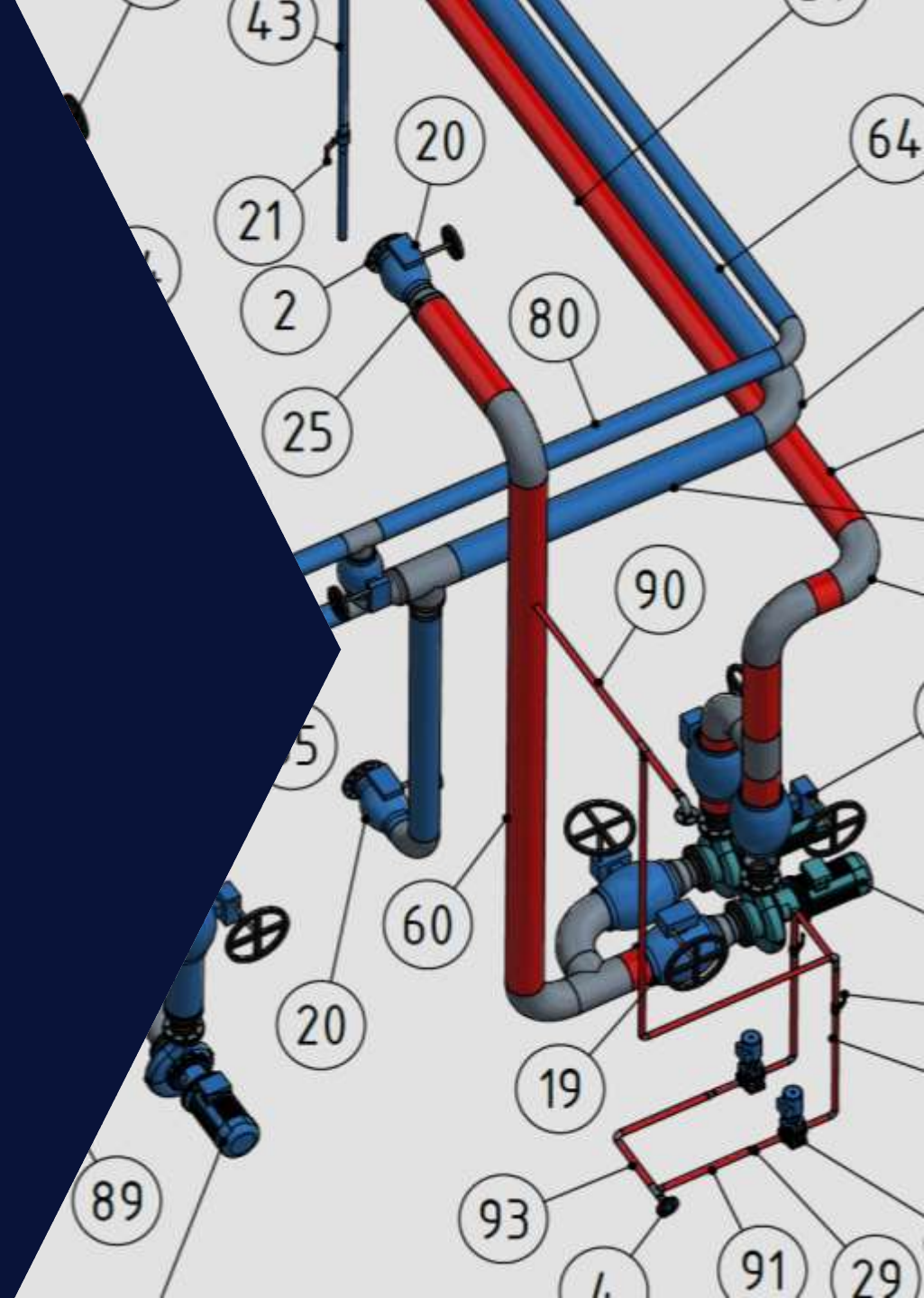


# Our Services

- Design

Our projects take the latest industry trends into account and rely on the vast experience of our team.

- ✓ Heat technology and thermal engineering
- ✓ Flue gas ducting
- ✓ Steel constructions and platforms
- ✓ Conveyors and conveyor lines
- ✓ Tanks and containers
- ✓ Individual complex solutions





# Our Services

- Design
- Manufacturing
  - Metal processing, both Carbon steel and stainless steel any complexity and volume
  - ✓ Heating systems and heating units
  - ✓ Conveyor lines
  - ✓ Technological/heat equipment
  - ✓ Steel constructions, platforms
  - ✓ Ducts
  - ✓ Tanks
  - ✓ Non standard equipment



# Our Services

- Design
- Manufacturing
- **Installation**  
Assembly and installation is carried out by our qualified and experienced specialists, guaranteeing the quality of assembly and on-time delivery
  - ✓ Heating systems and heating units
  - ✓ Conveyor lines
  - ✓ Technological/heat equipment
  - ✓ Steel constructions, platforms
  - ✓ Ducts
  - ✓ Non standard equipment



# Our Services

- Design
- Manufacturing
- Installation
- **Process automatization**  
Continious process is the key to successful production.
  - ✓ Technological equipment
  - ✓ Production lines
  - ✓ Custom solutions
  - ✓ SCADA
  - ✓ Process optimisation



# Our Services

- Design
- Manufacturing
- Installation
- Process automatization
- **Industrial insulation**  
Calculation, selection of materials, and installation of insulation in compliance with international standards.
  - ✓ Thermal insulation for pipelines
  - ✓ Sound insulation
  - ✓ Condensation control insulation
  - ✓ Tank insulation
  - ✓ Duct insulation



# Our Services

- Design
- Manufacturing
- Installation
- Process automatization
- Industrial insulation
- **Heat resistant materials**  
Design, delivery and installation of heat resistant insulating materials for your technological process.
  - ✓ Technical assistance on choice of refractory material
  - ✓ Design and installation of refractory lining in industrial facilities
  - ✓ Mechanical and insulation works



# Our Services

- Design
- Manufacturing
- Installation
- Process automatization
- Industrial insulation
- Heat resistant materials
- **Consultancy and technical supervision**  
Technical assistance, project monitoring and management.
  - ✓ Technical supervision and project management
  - ✓ Commissioning
  - ✓ Supervision and servicing of completed projects





**We have all the resources  
needed to provide the most**

**suitable**

**to meet our  
customers' needs!**

# Over 70 Completed Projects

Dedication to delivering exceptional results is demonstrated by providing advanced and innovative solutions for the industrial and thermal engineering sector across Europe.

Expertise extends to metalworking, thermal engineering, and engineering networks, enabling the capability to handle even the most complex projects.



DENMARK

# Odense

BFB boiler plant with thermal capacity of 180MW.  
Design and production of a quench for flue gas  
condensation and a NaOH tank.

Power: 180 MW



DENMARK

# Køge

Biomass boiler house with a thermal capacity of 50MW.  
Insulation and cladding for flue gas ducts and DH piping.  
Design, production, and installation of flue gas ducts, steel structures, supports and service platforms.

Power: 50 MW



# DENMARK

## Randers

Flue gas treatment system. Installation of flue gas scrubber and secondary equipment installation. Design, production, and installation of flue gas ducts, steel structures, supports and service platforms. Insulation and cladding for flue gas ducts, pipes and equipment.



DENMARK

# Nykøbing Falster

RDF boiler house with a thermal capacity of 40MW. Installation of flue gas scrubber and secondary equipment installation. Design, production, and installation of flue gas ducts, steel structures, supports and service platforms. Insulation and cladding for flue gas ducts, pipes and equipment.

Power: 40 MW



POLAND

# Lublin

RDF boiler house with a thermal capacity of 40MW. Installation of flue gas scrubber and secondary equipment installation. Design, production, and installation of flue gas ducts, steel structures, supports and service platforms. Insulation and cladding for flue gas ducts, pipes and equipment.

Power: 40 MW



FINLAND

# Lahti

Biomass boiler house with a thermal capacity of 8MW. Design, production and assembly of a chimney with a height of 35m and a diameter ratio (D/d) of 2400/(900/750)mm with service platforms.

Power: 8 MW



ESTONIA

# Vara

Biomass boiler house. Design, production and assembly of a chimney with a height of 44m and a diameter ratio (D/d) of 1200/(1000)mm.



# LATVIA

## Jūrmala

Biomass boiler house with a thermal capacity of 5MW. Design, production and assembly of a chimney with a height of 50m and a diameter ratio (D/d) of 1250/650mm.

Power: 5 MW





LITHUANIA

# Akmenė

Biomass boiler house with a thermal capacity of 44.2MW.  
Installation of technological equipment.

Power: 44.2 MW





**ENERTEK**

**WE DESIGN AND  
BUILD ENERGY  
SOLUTIONS**

[www.enertek.lv](http://www.enertek.lv)