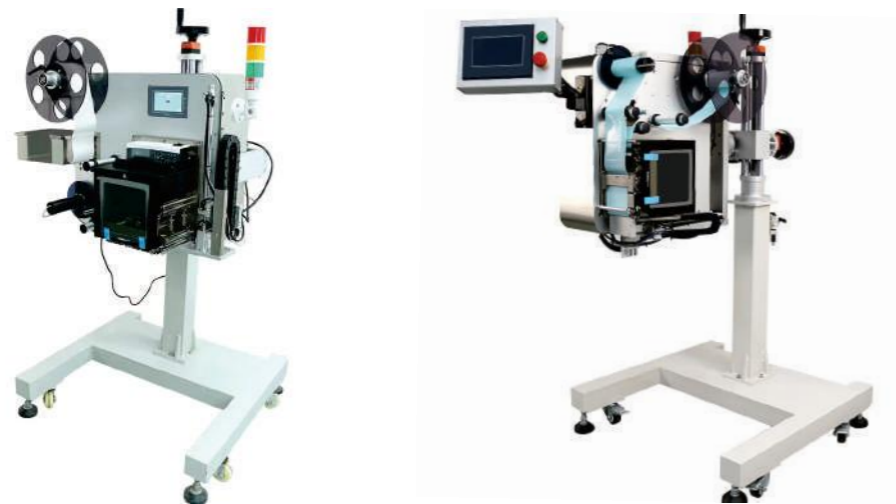


Automatic real-time printing and labeling machine (E-commerce/Electron industry)



Technical Parameter:

Model	WPP-RT56	WPP-RT57
Printer	ZEBRA	
Print Method	Thermal transfer/thermal sensitivity	
Printing speed	6-10inches/s	
Print Resolution	300dip	
Printing range	W25-104mm; L25-250mm	
Sensor mode	Gap sensing, Reflection type	
Medium type	Coated paper, synthetic paper, Glazin substrate	
Label paper size	Inner diameter of the label core Φ 76mm outer diameter 300mm	
Medium size	W25.4-116mm; T0.06-0.30mm	
Ribbon	W25-110mm; L450m, Max. outer diameter 90mm, coated side facing outward when winding ribbon.	
Bar code type	D CODE: Code39,Code93,Code128UCC,Code128subsetsA,B,C,Codabar,EAN-8 QR CODE: PDF-417, Maxicode,DataMatrix,QR Coode,Aztec	
Communication interface External interface	R232 Serial port/Parallel port/USB2.0/ network port	
Labeling position	On the top of product On the side of product	
Printing content	Text, serial number, date, design, one (two - dimensional) bar code, etc	
External hardware font panel	Touch screen operation	
Alarm setting	Missing label alarm, missing ribbon alarm, sensor failure alarm	
Labeling accuracy (Excluding product and label errors)	\pm 1-2mm	
Labeling speed	25-45pcs/ min	20-40pcs/ min
Applicable Label	(25-250mm) \times (25-104mm)	(25-250mm) \times (25-104mm)
Label outer diameter	Φ 300mm	Φ 300mm
Label inner diameter	ϕ 76mm	ϕ 76mm
Machine dimensions	L850 \times W800 \times H1370 mm	L850 \times W800 \times H1370 mm

Automatic order sheet labeling machine with table (E-commerce industry)



Technical Parameter:

Model	WPP-511B (with real-time printing machine)	WPP-501
Printer	ZEBRA	/
Print Method	Thermal transfer/thermal sensitivity	/
Printing speed	254mm/S	/
Print Resolution	300dip	/
Printing range	W25-104mm; L25-250mm	/
Sensor mode	Gap sensing, Reflection type	/
Medium type	Coated paper, synthetic paper, Glazin substrate	/
Label paper size	Inner diameter of the label core Φ 76mm outer diameter 300mm	/
Medium size	W25.4-116mm; T0.06-0.30mm	/
Ribbon	W25-110mm; L450m, Max. outer diameter 90mm, coated side facing outward when winding ribbon.	/
Bar code type	D CODE: Code39,Code93,Code128UCC,Code128 subsetsA,B,C,Codabar,EAN-8 QR CODE: PDF-417, Maxicode,DataMatrix,QR Coode,Aztec	/
Communication interface External interface	R232 Serial port/Parallel port/USB2.0/ network port	/
Printing content	Text, serial number, date, design, one (two - dimensional) bar code, etc	/
External hardware font panel	Touch screen operation	/
Alarm setting	Missing label alarm, missing ribbon alarm, sensor failure alarm	/
Labeling accuracy	alarm \pm 1mm	\pm 2mm
Labeling speed	25-45pcs/ min	30-120pcs/ min
Applicable Label	(15-180mm) \times (20mm-104mm)	(100-180mm) \times (70 mm-110mm)
Applicable product size	L30-300mm \times W30-300mm \times T0.2-150mm	L120-400mm *W80-300 mm *H2-300mm
Label diameter	Outer: Φ 300mm; Inner: ϕ 76mm	/ Applicable label box: 75*130mm;100*180 mm
Power supply	220V 600W	220V 300W
Machine dimensions	L1500 \times W650 \times H1450 mm	L1200 \times W600 \times H1400 mm

WWP-F15/16

Food wrapping machine

Specification:

1. With an average of 15 packs per minute, the packaging efficiency is about three times that of the manual.
2. It combines the functions of automatic packaging, weighing and printing labels to save costs.
3. Compared with the manual packaging, the machine are used to make the packaging more firm and beautiful, which helps to enhance the brand value.
4. A variety of films (PVC/PE) are available for cost savings, and it can be packaged with or without trays, and is suitable for trays of various shapes (such as round, hexagon, etc.)
5. The whole machine adopts stainless steel to adapt to the corrosive environment such as high humidity, it is not easily corroded under harsh environment.
6. The operation interface is simple in design and fast in response; it adopts special mute processing, which is less noisy and more comfortable to use than other similar devices.
7. Model WWP-F16 is machine with weighting and printing function, it can check the weight of goods, and print out the label, it is very convenient and fast to use.
8. WIN-WIN PACK is a professional packaging machinery manufacturer with strong technical strength. All products are independently developed and produced. We always insist on providing the best service to our customers. Once the customer discovers any problems, we will respond quickly. Solve problems in a reasonable way.



Technical Parameters

Model	WWP-F15/16
Power supply	AC 220V / 50HZ, 1800W
Speed	15 packs per min
Packing size	L80—350mm * W80—270mm * H10—170mm
Product weight	40g—3kg
Width of cling film	350-500mm
Material of film	PE/ PVC
Diameter of film	≤160mm
Operating humidity	10-90%RH
Working Temperature	5℃~35℃
Machine size	L988*W736*H1262mm

Packing effect:



WWP-A25/A25L

Automatic food wrapping machine

Specification:

1. The packaging speed is up to 25 packages per min, and the packaging efficiency is about 5 times of that of human packs.
2. The machine adopts film pressing design, which makes the packaging stronger and more beautiful, it helps to enhance the brand value.
3. The machine adopts high-definition touch control and Schneider Electric, which makes the response faster, and the machine is reliable and durable.
4. It needs to place products at the front of machine, and the design of human-machine interface is simple, which makes the operation more convenient and easier.
5. A variety of films (PVC/PE) are available for cost savings.
6. The whole machine adopts stainless steel to adapt to the corrosive environment such as high humidity, it is not easily corroded under harsh environment.
7. The operation interface is simple in design and fast in response; it adopts special mute processing, which is less noisy and more comfortable to use than other similar devices.
8. The machine can pack large volume products, such as the whole chicken/the whole fish and the big box of fruit.
9. It can integrate printing and labeling machine, disc material handling machine, metal inspection machine and other machines, and combine together as a full-automatic and efficient packaging line.
10. The new model WWP-A25L can be used to pack products of various shapes, such as cabbage/green pepper/mango ect, and products with or without tray.



Technical Parameters

Model	WWP-A25	WWP-A25L
Power supply	220V / 50-60HZ, 1400W	220V / 50-60HZ, 1500W
Max packing speed	20~25 packs per min	
Packing size	L120—380mm * W95—230mm * H10—150mm	L120—350mm * W95—220mm * H10—130mm
Product weight	50g—4.5kg	
Width of cling film	350-500mm/ Max. Dia:160mm (Lenght:1000meter)	
Material of film	PE/ PVC	
Operating humidity	10-90%RH	
Temperature	10-30℃	
Machine size	L3185*W1015*H1372mm	L3250*W1015*H1372mm
Machine weight	275kg	385kg

Packing effect:



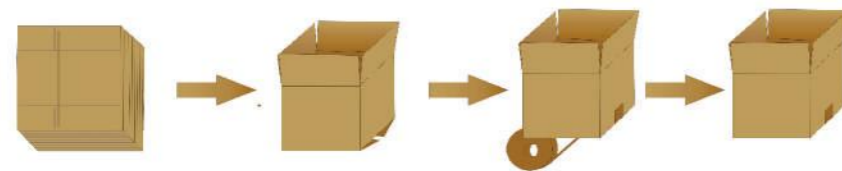
WWP-940D

Carton erector



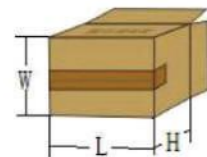
Carton erector

WWP-940H15



Technical parameter:

Model	WWP-940D	WWP-940H15
Forming and sealing speed	8~10ctns/min	8~12ctns/min
Carton storage quantity	100pcs (1000mm)	100pcs (1000mm)
Power supply	110/220V, 50/60Hz, 1 Phase	110/220V, 50/60Hz, 1 Phase
Power	200W	400W
Applicable tape	48/60/75mm (Choose one type)	48/60/75mm (Choose one type)
Machine size	L2000 × W1900 × H1450mm	L2400 × W2050 × H1450mm
Machine weight	450kg	550kg
Carton size	L250-450 W140-300 H100-400mm	L250-450 × W160-400 × H100-350mm



Customized machine:



WWP-840H30D

Carton erector



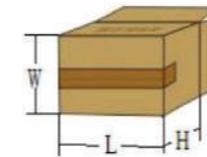
Carton erector

WWP-840H50



Technical parameter:

Model	WWP-840H30D	WWP-840H50
Forming and sealing speed	15~30ctns/min	35~50ctns/min
Carton storage quantity	About 80PCS (800mm)	About 80PCS (800mm)
Adhesive tape width	48/60mm (Choose one size)	48/60mm (Choose one size)
Power supply	1P/3P 220V/ 380V 750W	3P 380V 750W
Air compressing	6kg/cm	6kg/cm
Air consumption	450NL/min	450NL/min
Table height	950mm	950mm
Machine size	L2100 * W1210 * H1750mm	L3500 * W1210 * H1750mm
Machine weight	800kg	1200kg
Carton size(mm)	L240-560 W190-400 H120-400mm	L260-450 W170-350 H110-350mm



Customized machine:



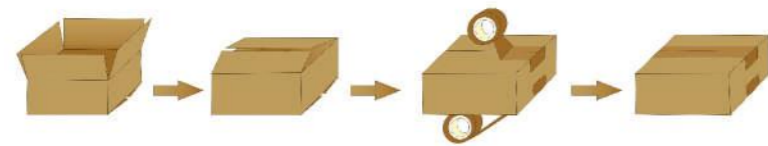
WWP-950

Carton sealer



Carton sealer

WWP-850



Technical parameter:

Model	WWP-950	WWP-850
Conveyor speed	20m/min	20m/min
Max. Packing size	L∞ × W500 × H500mm	L∞ × W500 × H500mm
Min. Packing size	L150 × W150 × H120mm	L150 × W150 × H140mm
Power supply	110V, 220-240V, 50/60Hz, 1Phase	110V, 220-240V, 50/60Hz, 1Phase
Power	200W	240W
Adhesive tape width	48mm, 60mm, 75mm	48mm, 60mm, 75mm
Machine dimension	L1020 × W900 × H1350mm	L1170 × W900 × H1350mm
Machine weight	130kg	170kg

Customized machine:



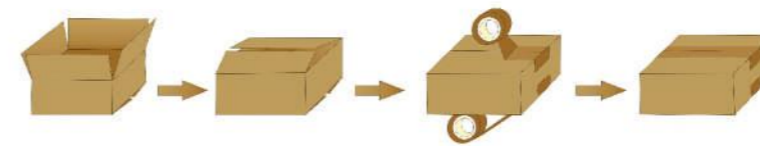
WWP-850D

Carton sealer



Carton sealer

WWP-850I



Technical parameter:

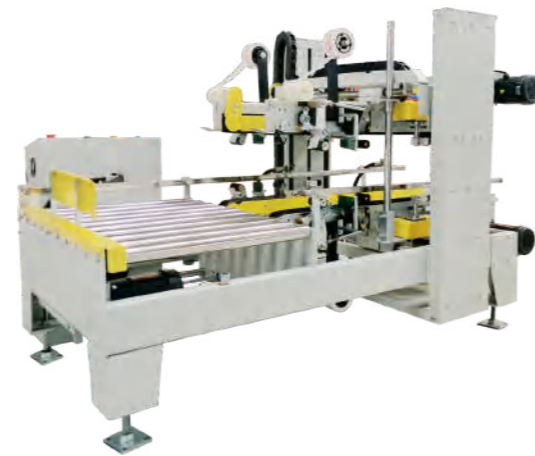
Model	WWP-850D	WWP-850I
Conveyor speed	20m/min	20m/min
Max. Packing size	L600 × W500 × H500mm	L500 × W500 × H500mm
Min. Packing size	L200 × W150 × H150mm	L200 × W150 × H150mm
Power supply	110V, 220-240V, 50/60Hz, 1Phase	110V, 220-240V, 50/60Hz, 1Phase
Power	400W	240W
Adhesive tape width	48mm, 60mm, 75mm	48mm, 60mm, 75mm
Machine dimension	L1770 × W850 × H1520mm	L1700 × W880 × H1450mm
Machine weight	255kg	280kg

Customized machine:



WWP-950G

Carton sealer



Carton sealer

WWP-950H

WWP-810

Tray former



Tray former
with hotmelt

WWP-R810

Specification:

1. Heavy duty welded tubular steel framework with steel-it paint finish - Lifetime Warranty.
2. Easy changeover with pre-set mandrels and only 4 crank adjustments.
3. Easy to load, gravity tray magazine.
4. Siemens PLC control with touch screen operator interface.
5. Two option for closing the tray, one is close the selflock tray, the other one is seal the tray by hotmelt glue.

Technical parameter:

Model	WWP-810	WWP-R810
Power supply	220V 50Hz	220V 50Hz
Tray size	Customized design according to customer's tray size	
Folding speed	10-20 pcs/min	10-15 pcs/min
Machine dimension	L1900*W1500*H1800mm	L2100*W1600*H1940mm
Machine weight	550kg	580kg

Collapsible box:



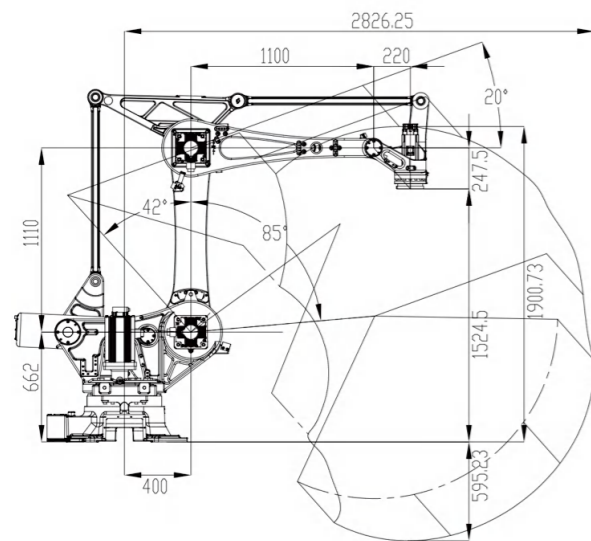
Technical parameter:

Model	WWP-950G	WWP-950H
Machine speed	400 ctns/min	300 ctns/min
Gas consumption	5-6kg/cm	5-6kg/cm
Packing size	L:320-600mm*W:150-500mm*H:180-500mm	L:320-6500mm*W:150-500mm*H:180-500mm
Max. weight of product	30kg	30kg
Power supply	220/380V, 50/60Hz, 1Phase	220/380V, 50/60Hz, 1Phase
Power	240W	240W
Adhesive tape width	50-70mm	50-70mm
Table height	580-680mm	580-680mm
Machine dimension	L1960 × W1350 × H1600mm	L1960 × W1270 × H1650mm
Machine weight	450kg	480kg



WWP-MD01

Robot palletizer

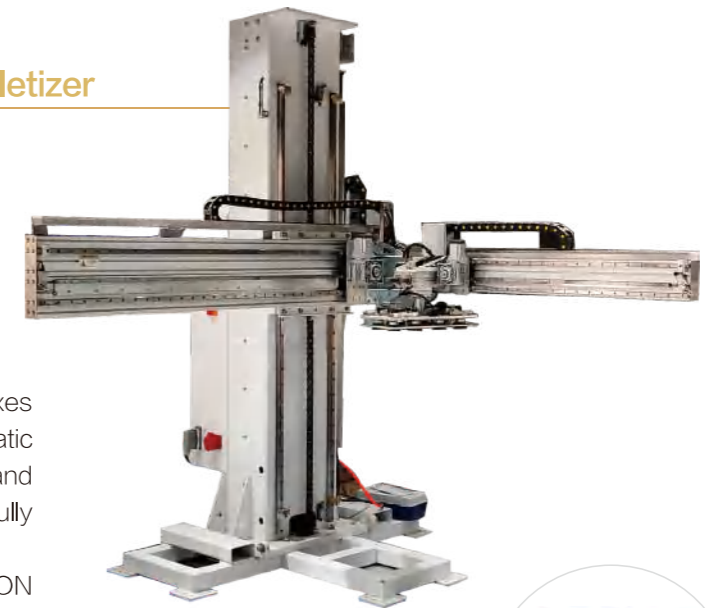


Technical parameter:

Maximum motion range		Maximum motion speed	
J1	$\pm 178^\circ$	J1	110° /sec
J2	$+42^\circ / -85^\circ$	J2	110° /sec
J3	$+85^\circ / -55^\circ$	J3	105° /sec
J4	$\pm 360^\circ$	J4	330° /sec
$+20^\circ > J2+J3 > -115^\circ$			
Number of control shaft		4	
Maximum load		130kg	
Repositioning accuracy		$\pm 0.3\text{mm}$	
Environment temperature		0-45°C	
Weight of robot		970kg	
Installation method		Installed on the ground or support	
Largest wingspan		2800mm	
Body protection class		IP40	
Body IO specifications		17pin	
Body gas specification		2 ϕ 10 straight pipe, with quick release coupling	

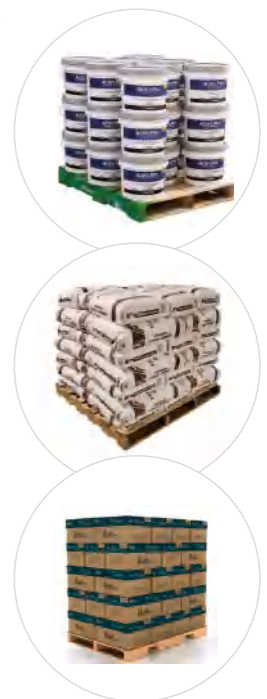
WWP-MD02

Single column palletizer



Specification:

1. This machine is composed of Z, x, Y axes and gripper. It can cooperate with automatic palletizer, palletizing conveyor, feeding and discharging conveyor to form a fully automatic palletizing system.
2. The machine is controlled by OMRON PLC + WEINVIEW touch screen to realize intelligent operation and management, which is simple and easy to master.
3. Machine with high-speed, stable and save the space, it can greatly reduce labor cost and labor intensity.
4. One machine is multi-purpose and can be adjusted quickly.
5. The gear rack produced by Taiwan APEXDYNAMICS,INC, which has resistant to abrasion, high precision and stable transmission.
6. The pneumatic components and cylinders produced by Taiwan CHELIC are reliable in quality and performance.
7. The electrical wiring adopts plug-in connection, which is easy to install.
8. The safety door is equipped with electric induction device. When the door is opened, the machine will stop working, which can protect the worker.
9. Several stacking methods can be completed without changing stacking parts. Built in software is adopted to increase stacking products without further programming.
10. Scope of application: corrugated box, plastic box, barrel packing and bag packing.



Technical parameter:

Model	WWP-MD02
Stacking speed	6ctns/min (Can be controlled with packing line)
load-bearing	2-30Kg
Carton size	L150-500*W150-500*H150-500mm(Customizable)
Power supply	380V 7.5KW 50/60HZ
Air supply	0.4-0.8MPa
Pallet size	L900-1200*W900-1200mm
Machine size	L3600*W2300*2800mm
Machine weight	1000kg