



捷力威

Aluminium Product Catalogue

[HTTPS://FOSHANJSW.EN.ALIBABA.COM/](https://foshanjsw.en.alibaba.com/)

Contents

01. company introduction
02. product display
03. contact information



捷力威

COMPANY INTRODUCTION



Foshan Jieshangwei Metal Products Co., Ltd., formerly known as Jieshangwei Hardware Processing Factory, was established in October 2006 and upgraded to Foshan Jieliwei Metal Products Co., Ltd. in 2020. The company is located in Sanshui District, Foshan City, Guangdong Province, covering an area of 7000 square meters and employing 200 people.

Our company mainly produces aluminum profile extrusion molds, with a complete mold design, mold programming, and professional product development team.

Moreover, the mold production process is mature (including 15 production processes such as cutting, lathe, machining center, wire cutting, electric spark, heat treatment, slow wire cutting, etc.), and we have a complete team of after-sales services.

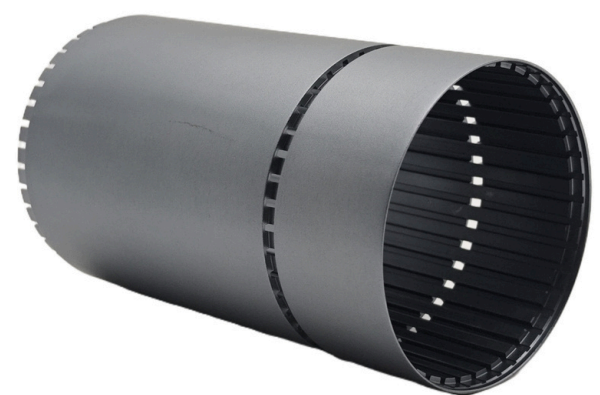
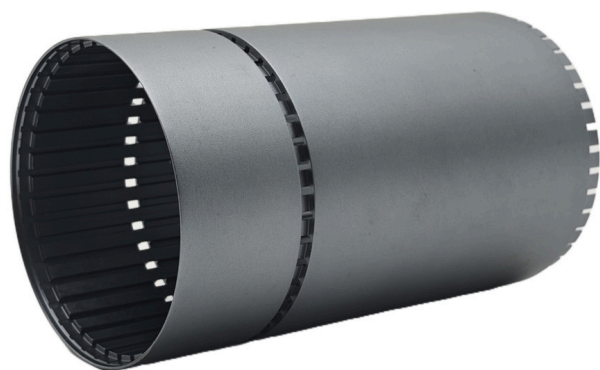


Our company has obtained many patents for mold design and processing technology, and has been awarded the title of Foshan High tech Enterprise. The monthly production capacity ranges from 5000 to 6000 sets, with main products including industrial products, radiators, solar houses, building materials, automobiles, solar energy frames, bathroom aluminum molds, etc.

Know More: <https://foshanjsw.en.alibaba.com/>

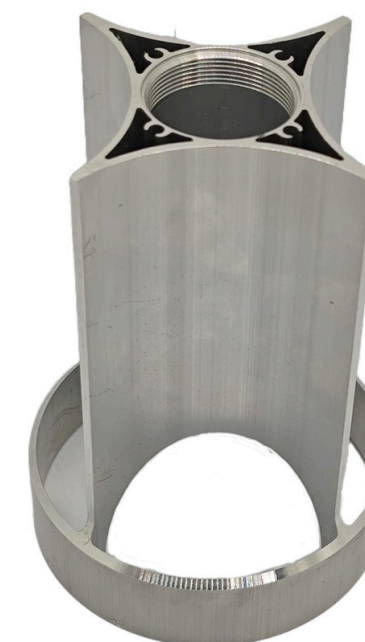
1. Lighting aluminum material

Modern Style Aluminium Ceiling Smart
Spotlight LED Surface Downlight Ceiling
Light Led Down Light



Name	LED Aluminum corner Profiles
Brand	JSW
Material	Aluminium
Color	Customized Color
Function	Door and Window Aluminum, Decoration Aluminum
Surface Finish	Mill / Anodizing (oxidation)/ Sand blasting / Powder Coating / Electrophoresis / PVDF Coating / Wood effect.
Feature	strong, stylish, durable, corrosion-resistant.
Usage	Real estate, aluminum metal building materials, decoration, doors and windows, curtain walls, shutters, roller blinds, machines, furniture, kitchen cabinets

Aluminum profile garden waterproof
professional ip65 led street light post pole top
light led fence post light



1. Lighting aluminum material

Aluminium Profile for LED Lighting Strip
Recessed Aluminum Channel Diffuser
Light LED Profile



Name	LED Aluminum corner Profiles
Brand	JSW
Material	Aluminium
Color	Customized Color
Function	Door and Window Aluminum, Decoration Aluminum
Surface Finish	Mill / Anodizing (oxidation)/ Sand blasting / Powder Coating / Electrophoresis / PVDF Coating / Wood effect.
Feature	strong, stylish, durable, corrosion-resistant.
Usage	Real estate, aluminum metal building materials, decoration, doors and windows, curtain walls, shutters, roller blinds, machines, furniture, kitchen cabinets

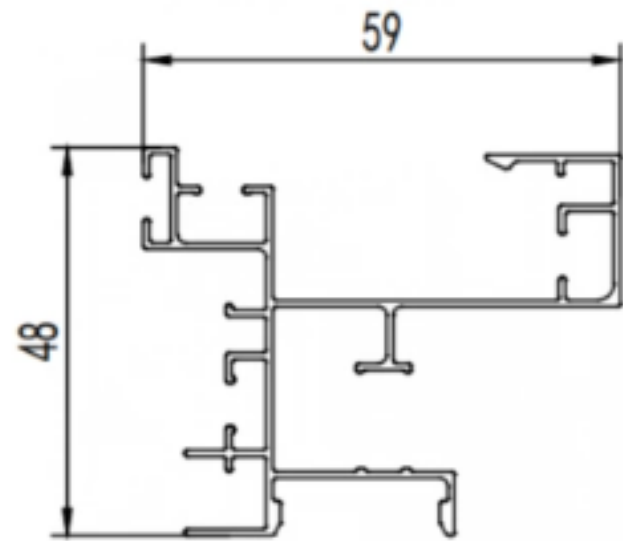
Customized Hot Sale Aluminium
Project Market Led Round
Surface Mounted Downlight



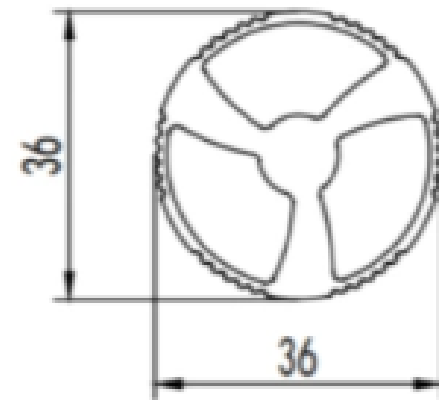
PRODUCT DISPLAY

1. Customized Lighting aluminum material

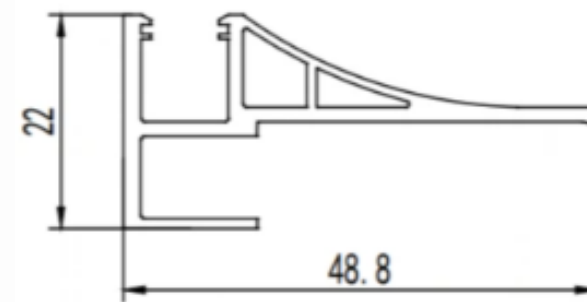
Customized aluminium extrusion profile for lighting industry



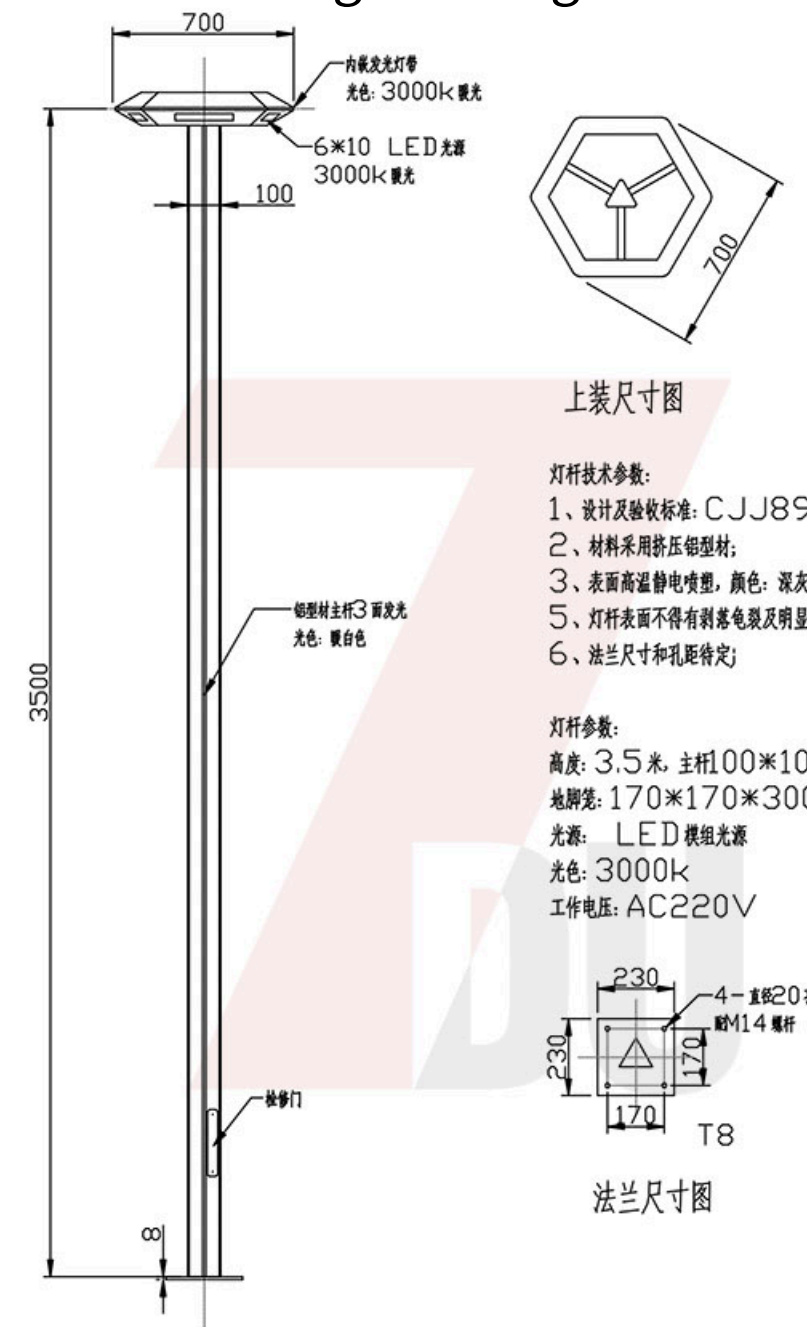
Lighting stand aluminum profile extrusion profile



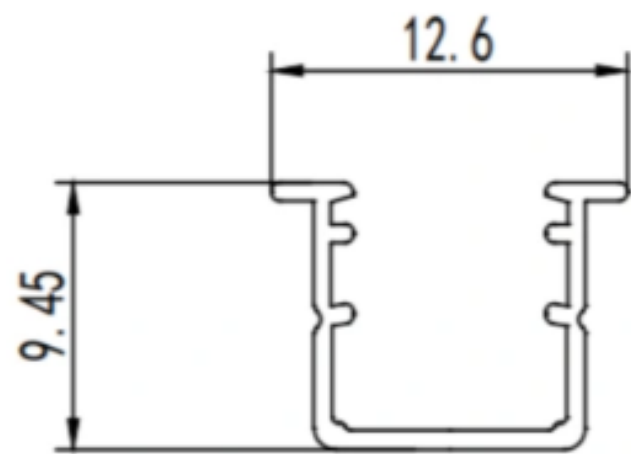
wedding hall decoration lighting extrusion profile



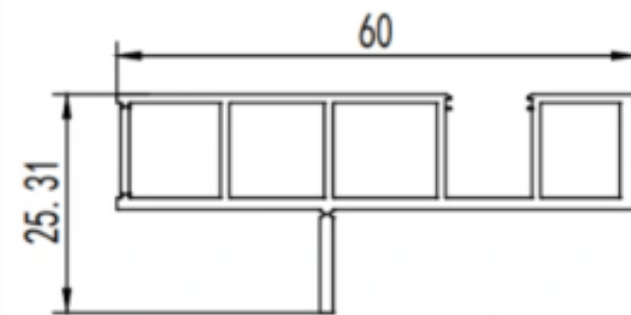
3.5m garden landscape Modern six-sided luminous aluminum profile led garden lights



Hollow dies for LED lighting aluminium extrusion



Aluminium extrusion mold for LED lighting profiles

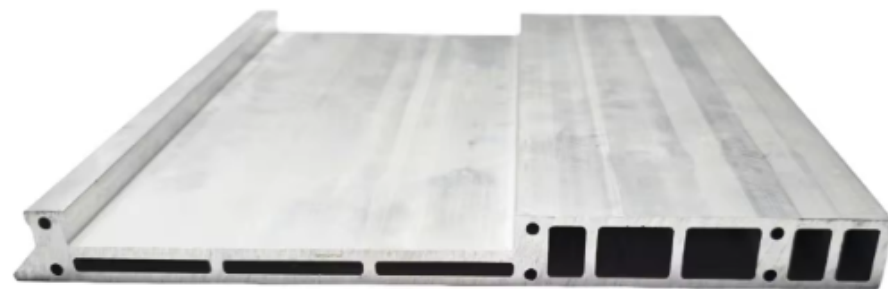
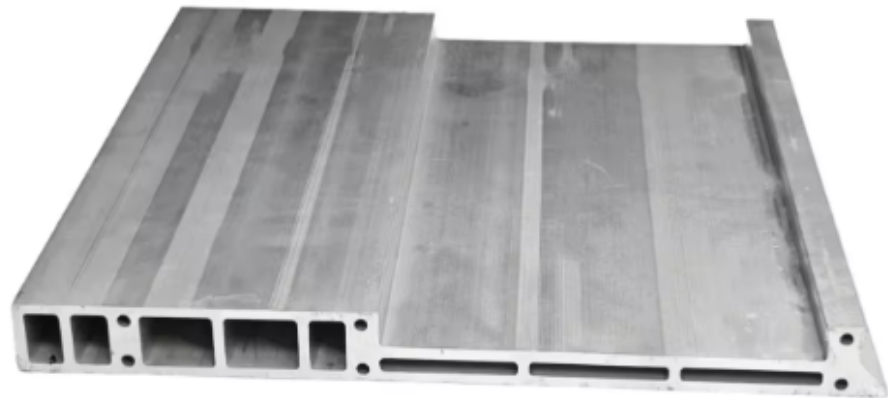


Modular aluminum extrusion 6063 T5 alloy aluminum led lamp profile



2. Automotive related aluminium materials

Customized high quality new energy vehicle extruded aluminum battery end plate



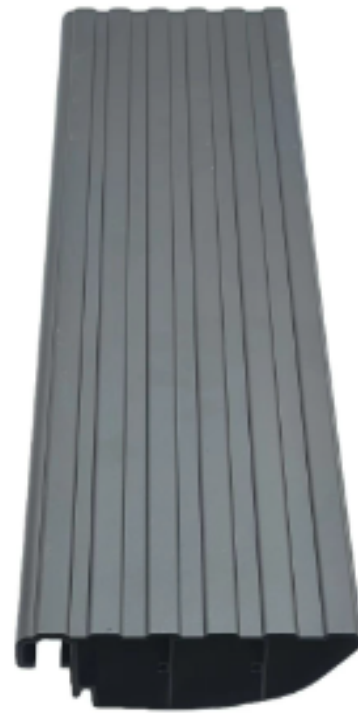
Name	Customized High Quality Car Auto Parts Factory price Front Bumper Fender Bracket
Brand	JSW
Material	Aluminium
Color	Customized Color
Advantages	<ul style="list-style-type: none"> 1. Cost advantage of Anodized • No mechanical machining necessary request • Errors in construction or assembly can be rectified more easily 2. Simple • Just order and assemble using standard t slot aluminum profile and accessories for any structures.
Surface treatment	Powder Coating, Anodizing, Mill finish; Sandblasting; Hard Anodic Oxidation , Polishing, Brushing
Usage	Aluminum alloy parts for car

High Quality Car Auto Parts Factory price Front Bumper Fender Bracket



2. Automotive related aluminium materials

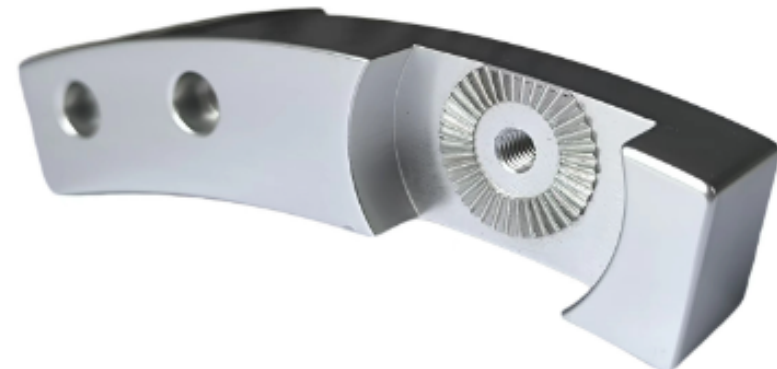
Customized high quality and original
pedal Side pedal Aluminum alloy
pedal Door welcome body kit



Name	Customized high quality and original pedal Side pedal Aluminum alloy pedal Door welcome body kit
Brand	JSW
Material	Aluminium
Color	Customized Color
Advantages	<ul style="list-style-type: none"> 1. Cost advantage of Anodized • No mechanical machining necessary request • Errors in construction or assembly can be rectified more easily 2. Simple • Just order and assemble using standard t slot aluminum profile and accessories for any structures.
Surface treatment	Powder Coating, Anodizing, Mill finish; Sandblasting; Hard Anodic Oxidation , Polishing, Brushing
Usage	Aluminum alloy parts for car

2. Automotive related aluminium materials

CNC Machinery Aluminum Stainless Steel Motorcycle Train Car Engine Auto Spare Precision CNC Machining Parts



Name	Customized High Quality Car Auto Parts Factory price Front Bumper Fender Bracket
Brand	JSW
Material	Aluminium
Color	Customized Color
Advantages	<ul style="list-style-type: none"> 1. Cost advantage of Anodized • No mechanical machining necessary request • Errors in construction or assembly can be rectified more easily 2. Simple • Just order and assemble using standard t slot aluminum profile and accessories for any structures.
Surface treatment	Powder Coating, Anodizing, Mill finish; Sandblasting; Hard Anodic Oxidation , Polishing, Brushing
Usage	Aluminum alloy parts for car

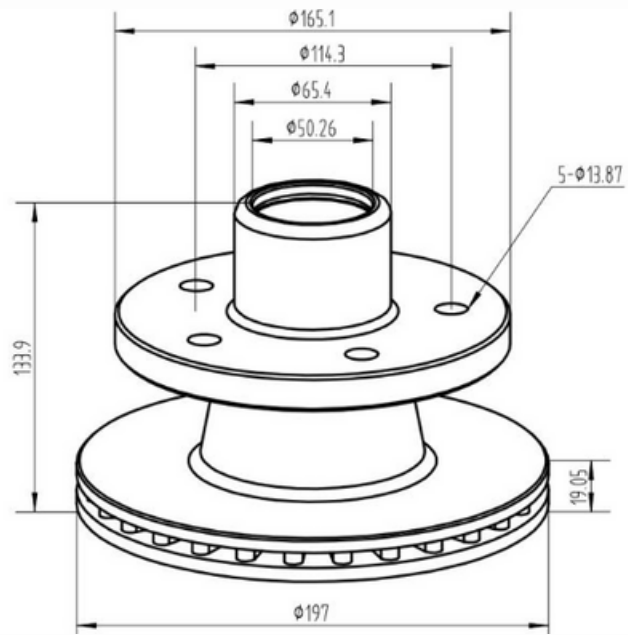
Honeycomb Pedal New Aluminium Alloy profile Widen Pedal Original Cool Monowheel Spare Part Off Road Pedal INMOTION Accessories



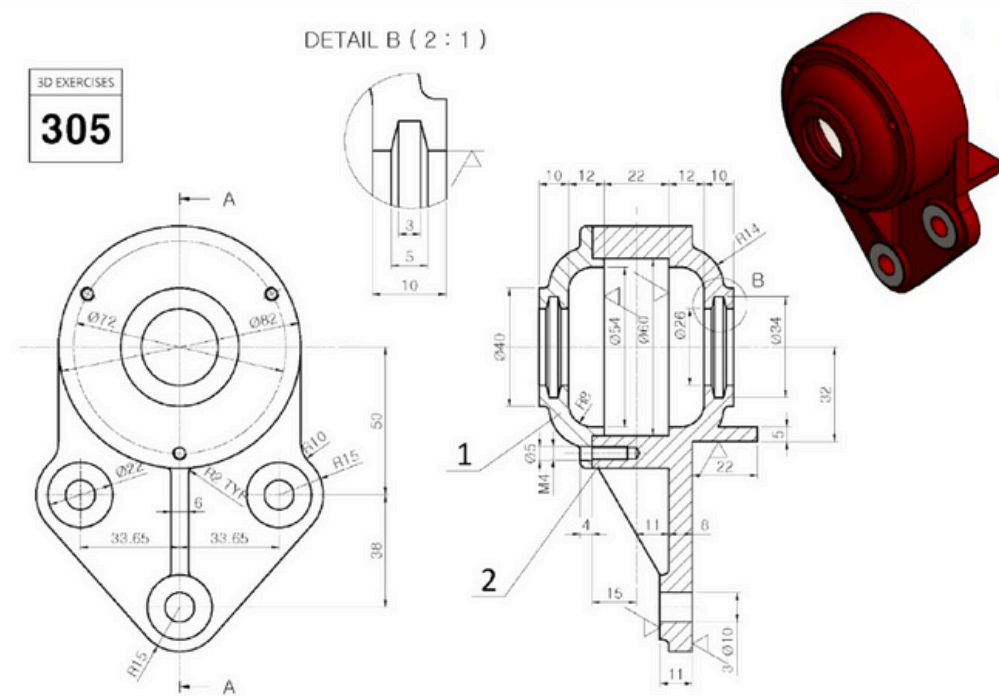
PRODUCT DISPLAY

2. Customized Automotive related aluminium materials

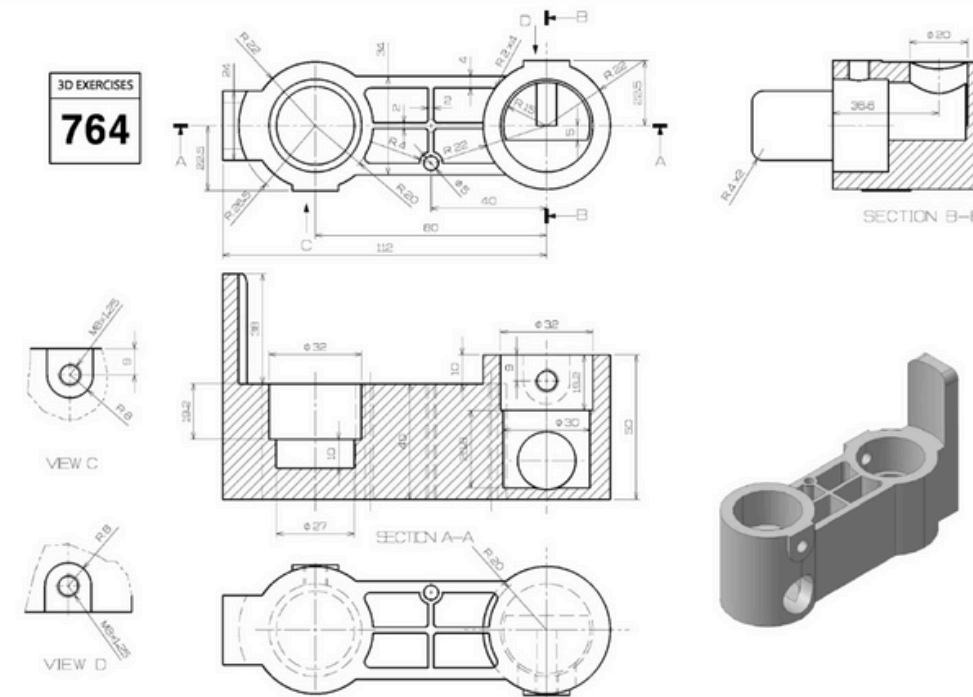
Professional custom high quality aluminum alloy automobile brake disc



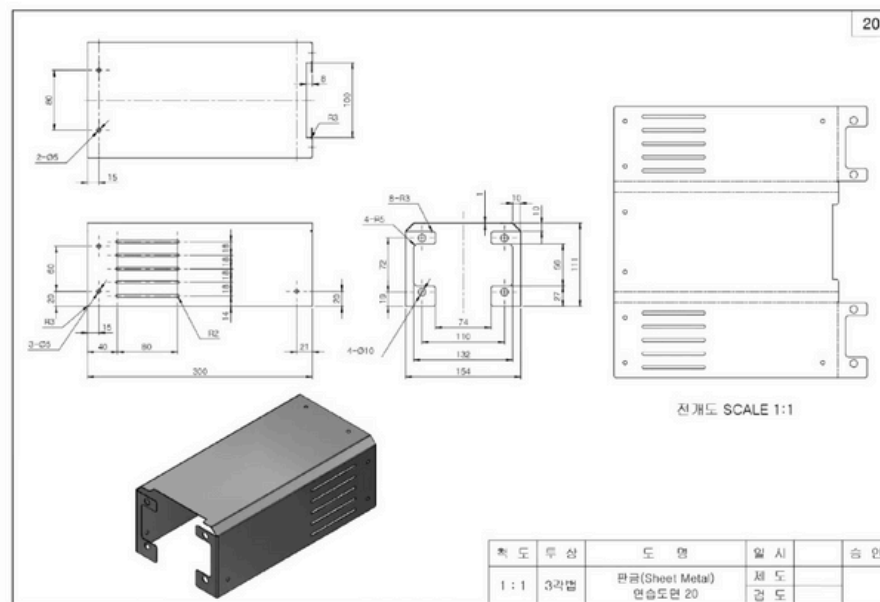
Customized high-performance bearing support box - industrial heavy duty support solution



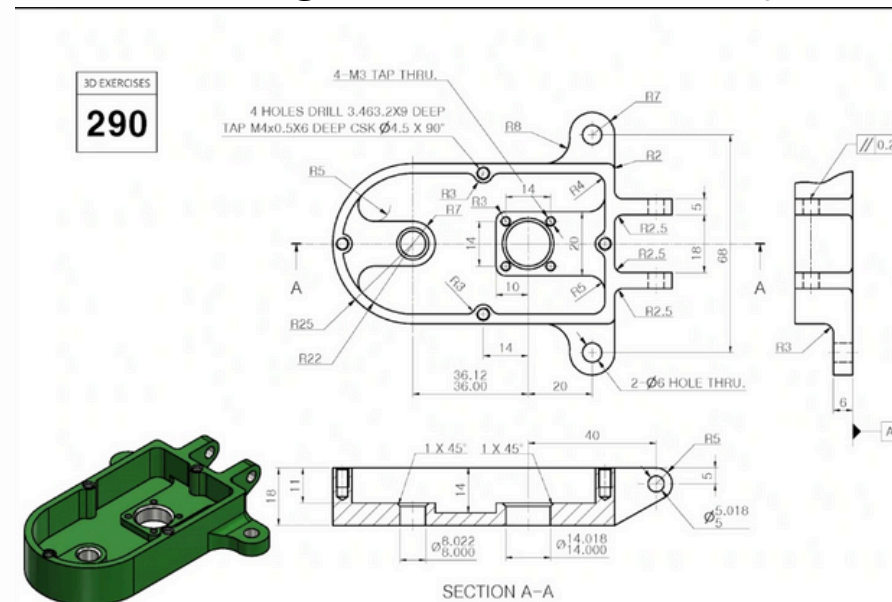
Rugged cylindrical car housing - high quality design



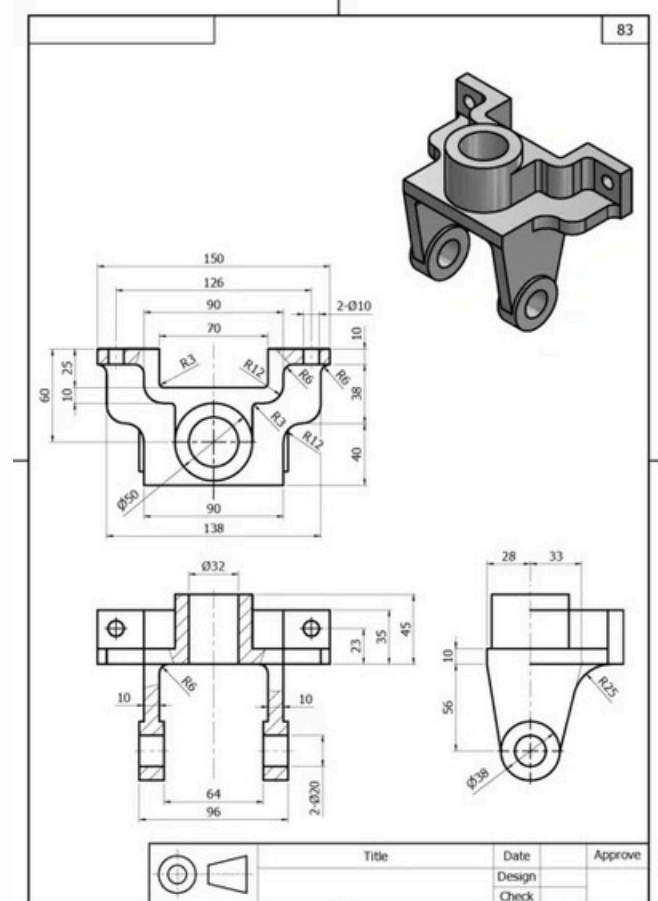
Professional custom aluminum alloy case



Professional custom high strength car housing - excellent durability



High-precision automotive bearings - precise fit



3. Aluminium alloy frame

Customized Best Selling Various Size
for Aluminum Material Multi Touch
Screen Tv Frame



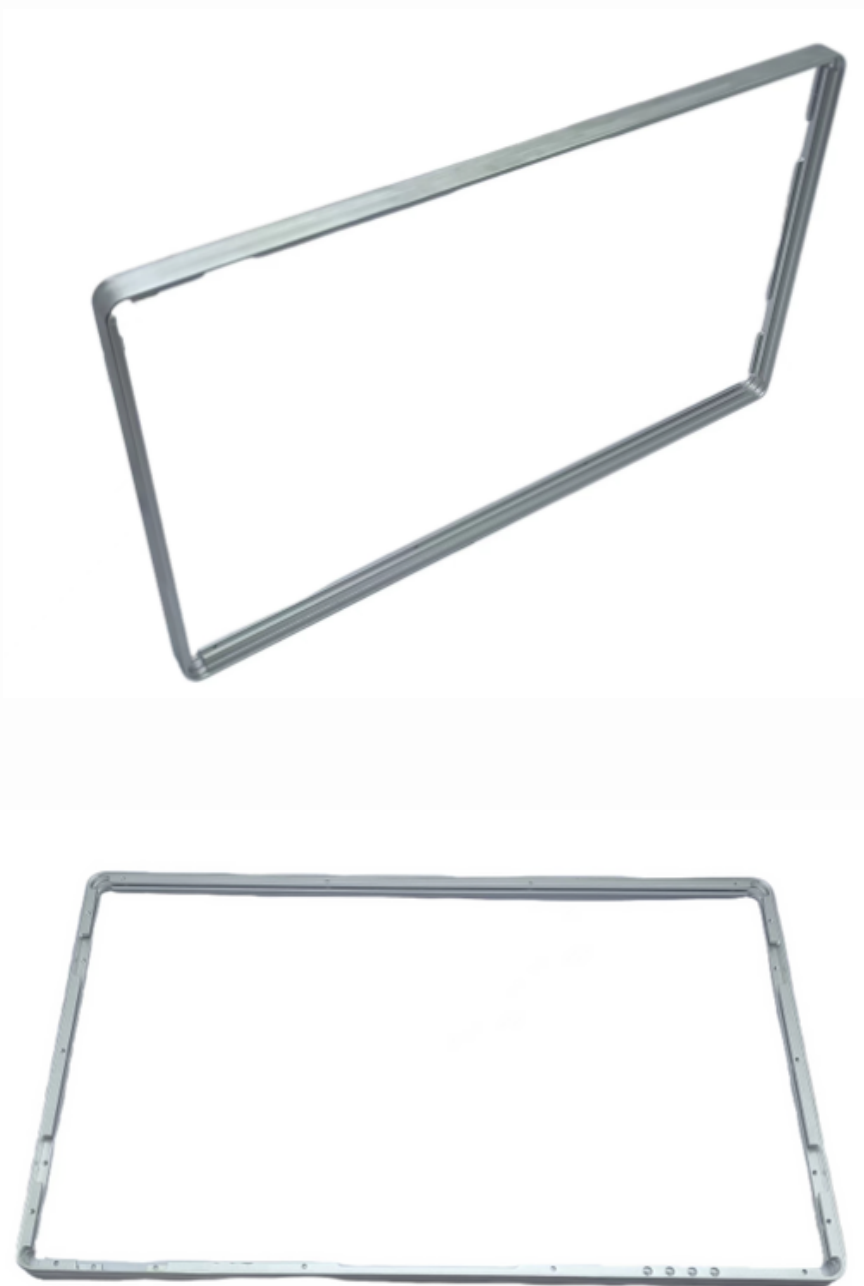
Name	CNC bending aluminum frame for TV mobile phone frame aluminum extrusion profile
Brand	Jsw
Material	Aluminium
Color	Customized Color
Function	Industrial building
Feature	Durable, anti-corrosion and wear-resistant
Usage	tv cabinet decorative

CNC bending aluminum frame for TV
mobile phone frame aluminum
extrusion profile



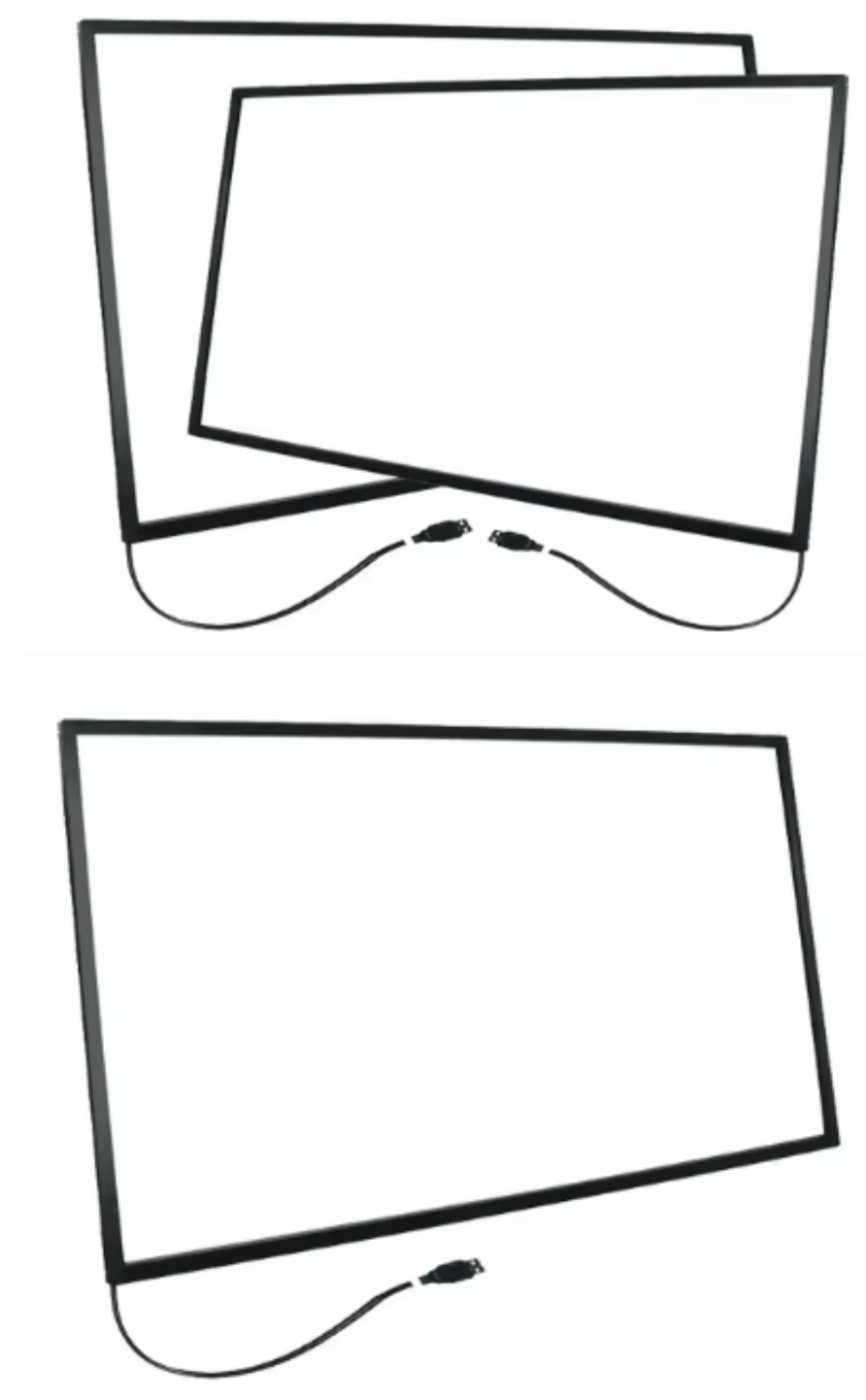
3. Aluminium alloy frame

Customized High quality infrared ir sensor multi touch aluminum CNC profile frame, Multi Touch Screen Smart TV touch frame



Name	CNC bending aluminum frame for TV mobile phone frame aluminum extrusion profile
Brand	Jsw
Material	Aluminium
Color	Customized Color
Size	Customized Size
Feature	Durable, anti-corrosion and wear-resistant
Usage	tv cabinet decorative

Factory direct sales 70 inch customized smart multi-touch screen ir touch frame for android TV



3. Customized Aluminium alloy frame

A new look: Innovation in the design of an aluminum-rimmed TV



Aluminum Profile For Advertising Photo Frame

Silk Screen Printing Aluminum Frame 9" x14" (Frame Only)

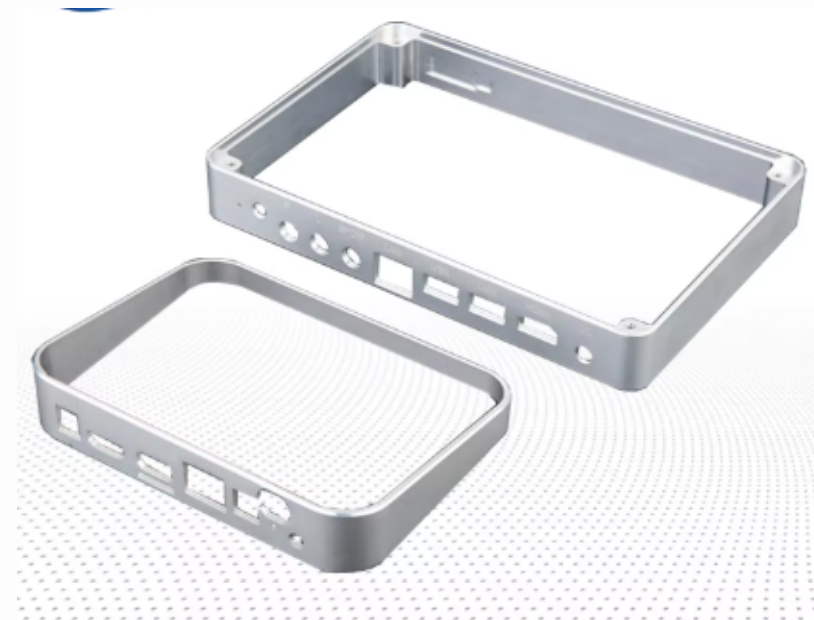


custom size high precision cnc machining parts computer monitor display tv aluminum frame profile

Silver thin Aluminum Frame in A1/2/3/4(with mount)

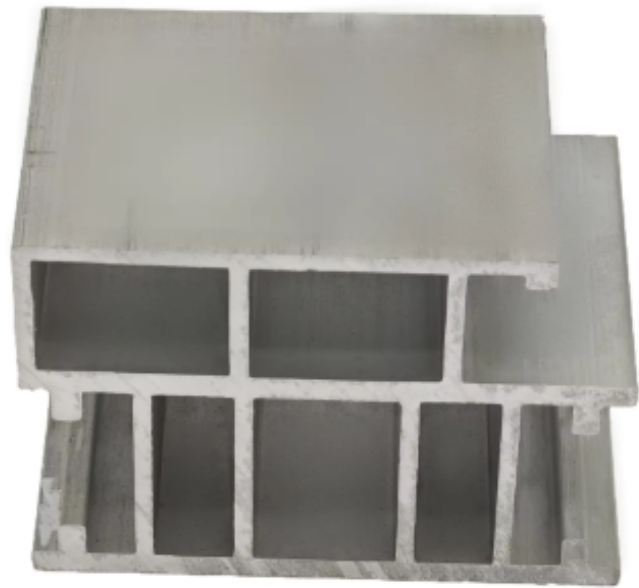


Aluminum Alloy Frame Cnc Bending Aluminum Profile Bending Frame Cnc Machined Aluminum Frame For Display



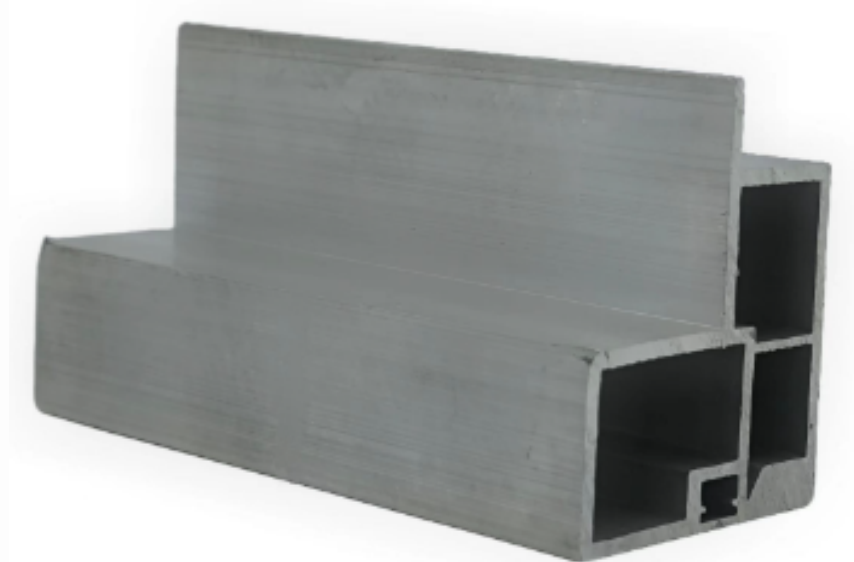
4. Aluminium curtain wall

Indoor Wall Interior Column Decoration
Aluminium Facade Cladding Aluminium
Wall Cladding



Name	2024 New Style Skyscraper Aluminium Profile Glass Building Exterior Aluminum Frame Customized Curtain Wall
Brand	Jsw
Material	Aluminium
Color	Customized Color
Function	Industrial building,office building
Feature	Heat Insulation.Waterproof.Soundproof.Save Energy,Durable
Usage	Building Exterior Wall Decoration

2024 New Style Skyscraper Aluminium Profile
Glass Building Exterior Aluminum Frame
Customized Curtain Wall



PRODUCT DISPLAY

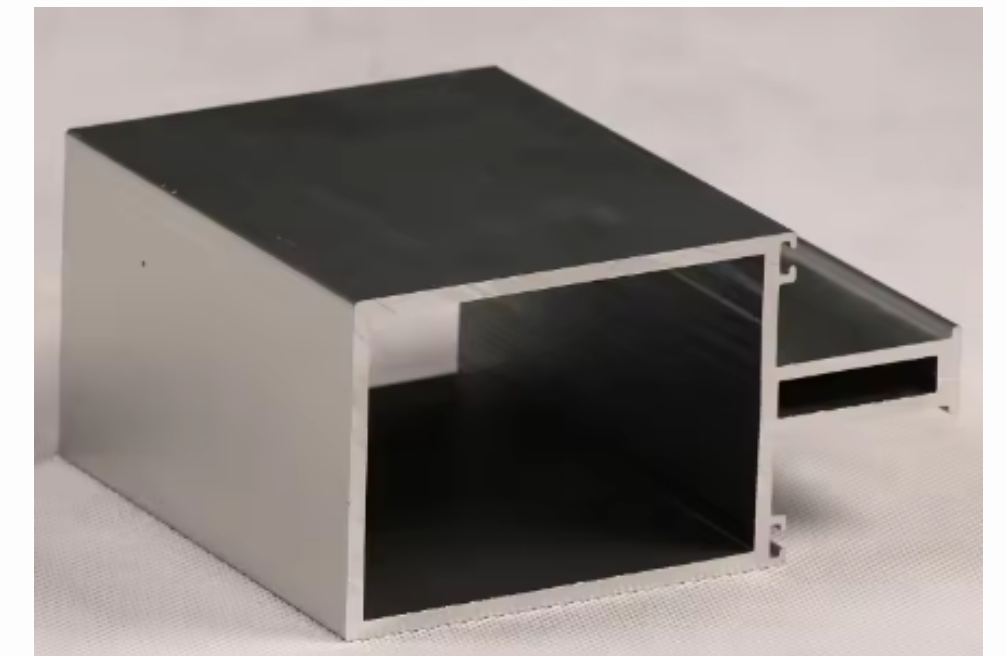
4. Aluminium curtain wall

Customized High Quality Industrial Aluminum Profile, Extrusion Profile Building/Architectural Products



Name	2024 New Style Skyscraper Aluminium Profile Glass Building Exterior Aluminum Frame Customized Curtain Wall
Brand	Jsw
Material	Aluminium
Color	Customized Color
Function	Industrial building,office building
Feature	Heat Insulation.Waterproof.Soundproof.Save Energy,Durable
Usage	Building Exterior Wall Decoration

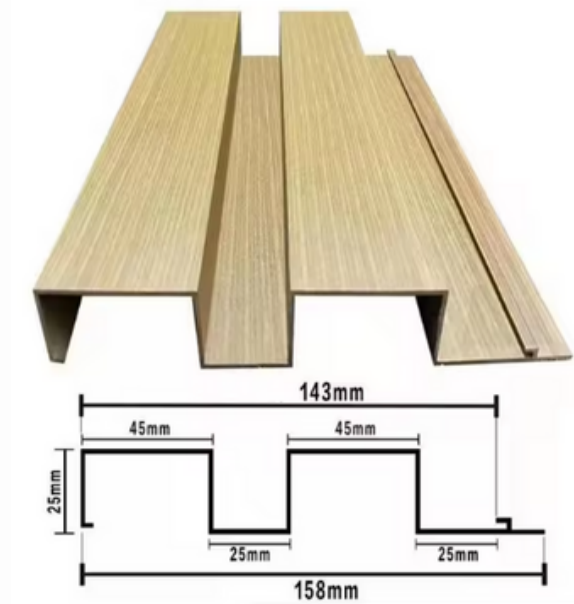
Hot Selling Cheap Architecture Aluminum Profile
Curtain Wall Window & Door & Curtain Wall
Aluminum Profile For Construction



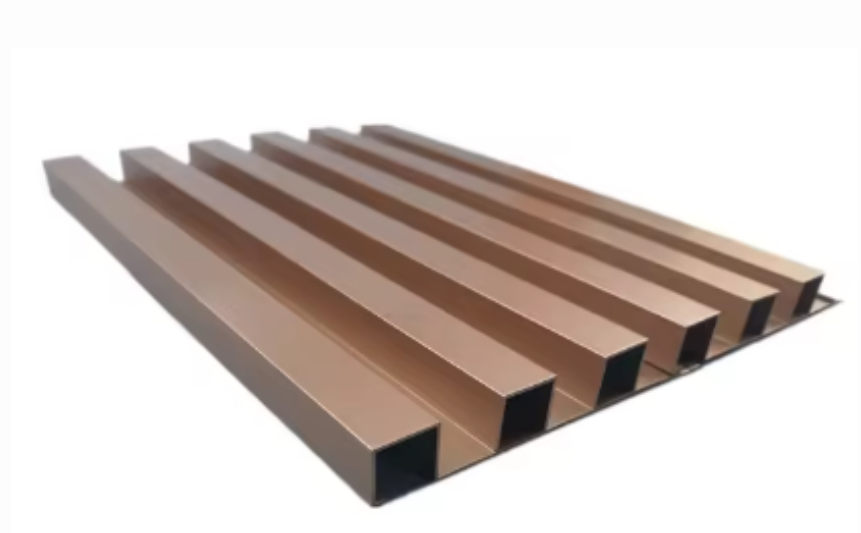
PRODUCT DISPLAY

4. Customized Aluminium curtain wall

2024 Good Quality 3d Cladding Aluminum Interior Decorative Wall Panel Metal Curtain Wall For Screen Background



3d decorative Great wall metal cladding insulated and decorative exterior and interior wall panel



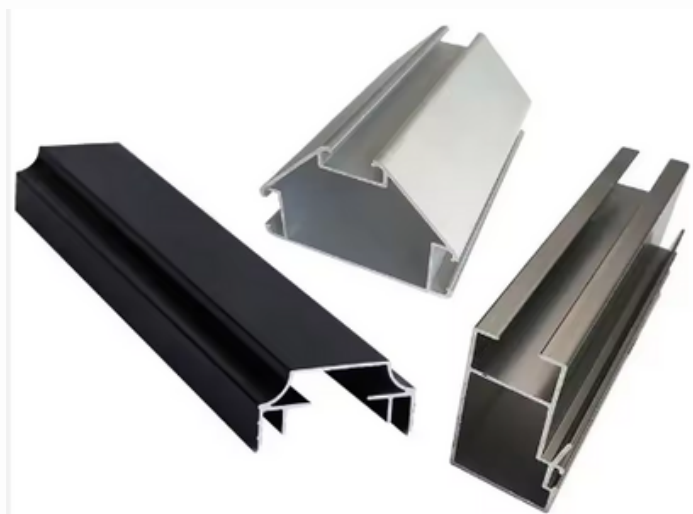
Custom 6063 6061 exterior panel aluminum curtain wall profile aluminum frame



Hot sale Interior metal waving fluted panel decorative aluminum wall panel aluminium plate for home decor restaurant



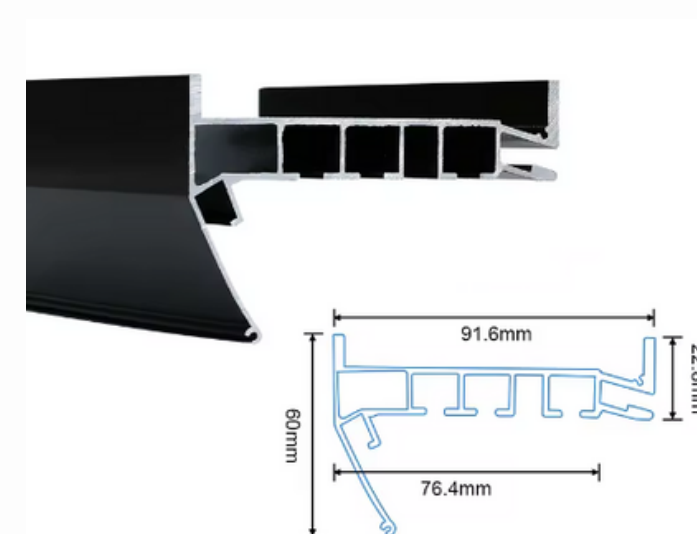
6062 6063 T3 T5 Curtain Glass Wall Customization Color Coating Aluminum Profile Manufacturer



China Factories Aluminum Curtain Wall Profile Industrial Aluminum Extrusion Profile Rounded Rectangle Curved Aluminum Extrusion



Russian Ukraine Stretch Ceiling Profile Aluminium Tracks Curtain Profile For Built-in Curtain Rail Aluminium Anodized Black

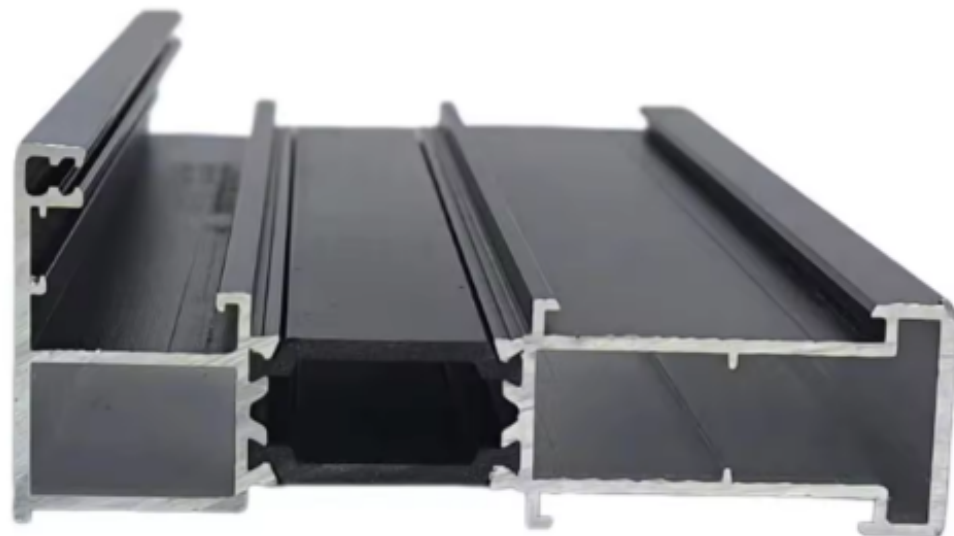
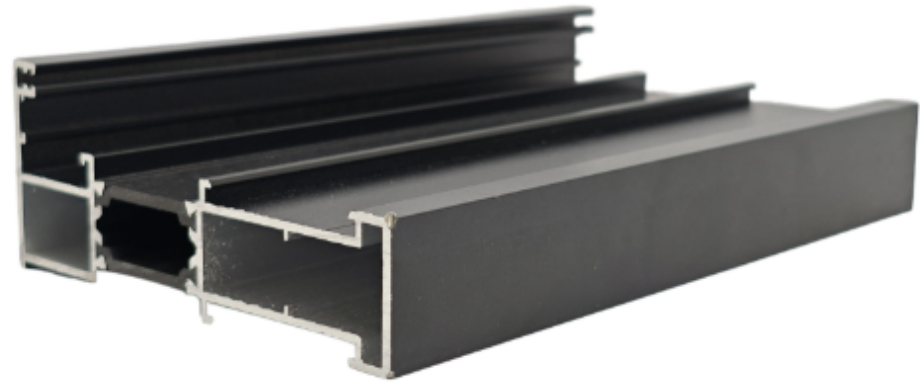


New products manufacturers aluminum curtain wall aluminum profile



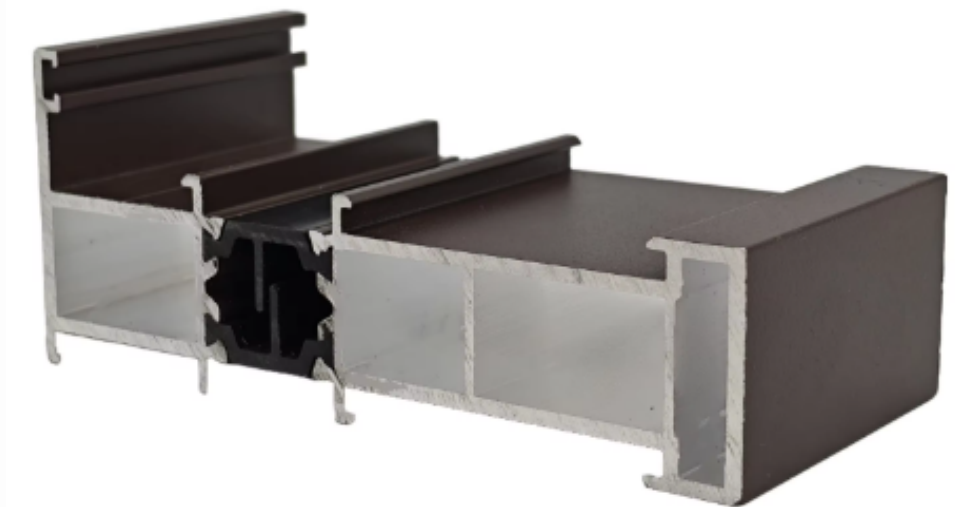
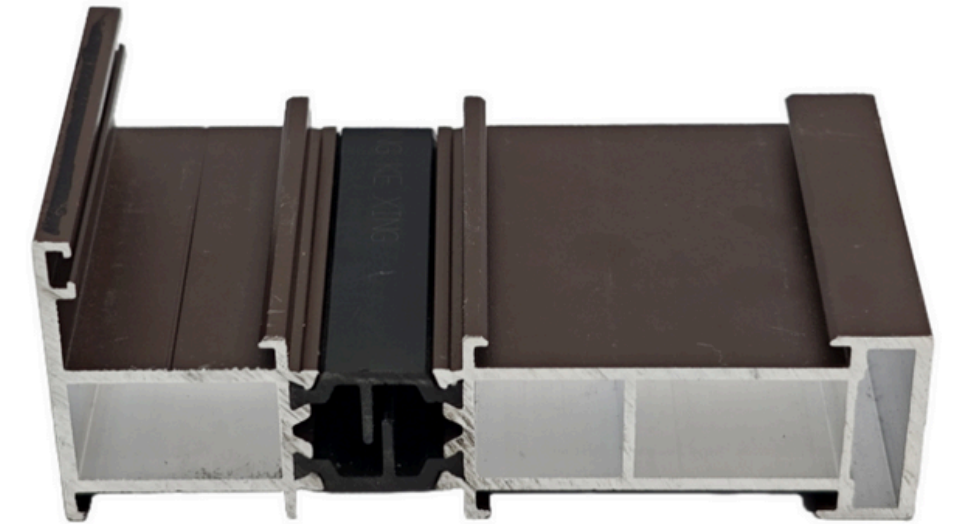
5. Aluminium profiles for windows and doors

The best-selling aluminum profile for sliding window aluminium extrusion for casement window aluminium frame for China



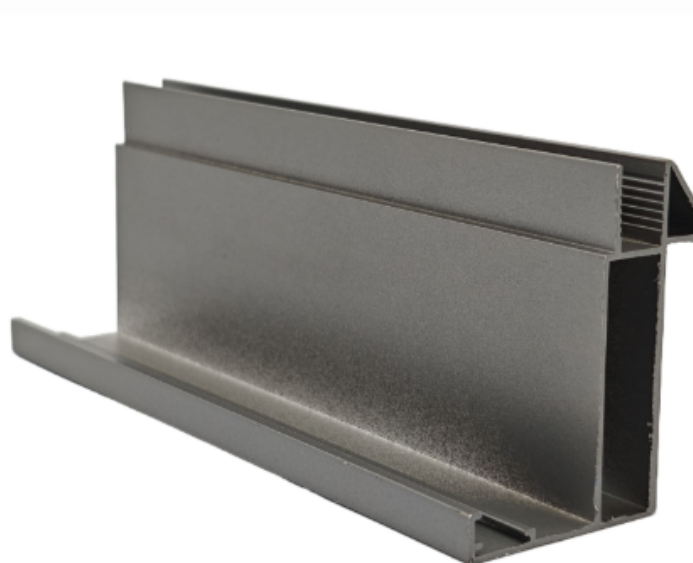
Name	Aluminum Extrusion Profile
Brand	Jsw
Material	Aluminium
Color	Customized Color
Function	Door and Window Aluminum; Decoration Aluminum
Surface Finish	Mill / Anodizing (oxidation) / Sand blasting / Powder Coating / Electrophoresis / PVDF Coating / Wood effect.
Feature	strong, stylish, durable, corrosion-resistant.
Usage	Real estate, aluminum metal building materials, decoration, doors and windows, curtain walls, shutters, Roller blinds, machines, furniture, kitchen cabinets, bathrooms, radiators, LED profiles, fences, handrails, solar frames and panels, curtain tracks

China factory customized Steady anti-corrosion aluminum window doors profile



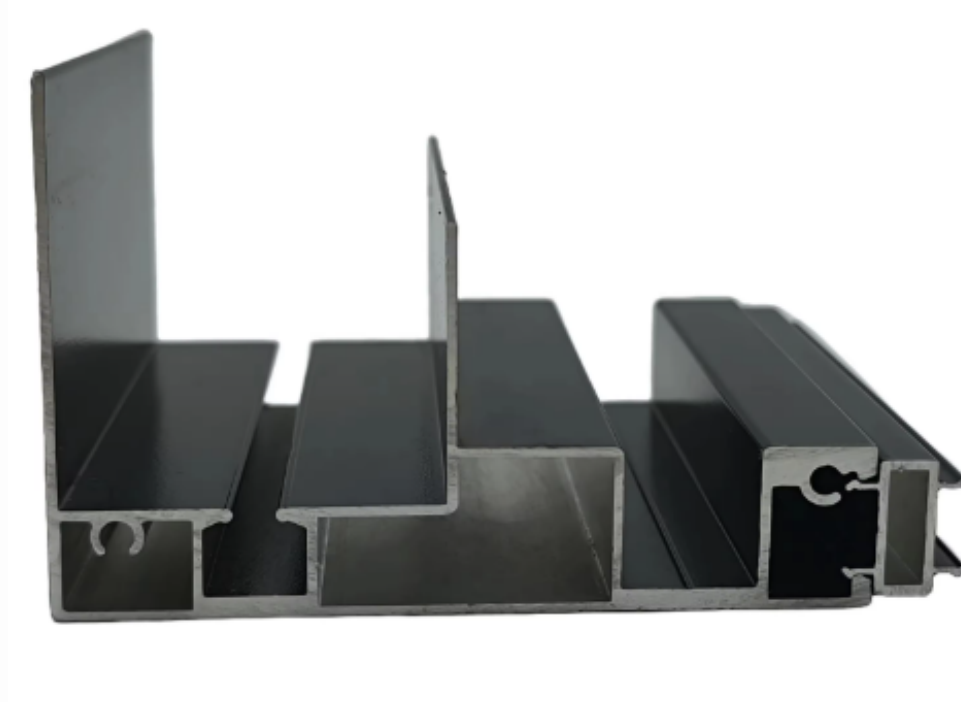
5. Aluminium profiles for windows and doors

Screen window aluminium profile for doors and windows curtain track profiles aluminium supplier powder coated decorative profile



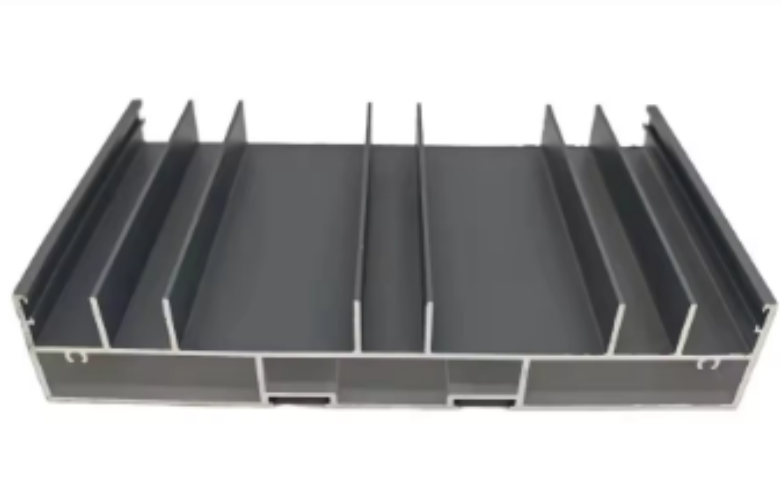
Name	Aluminum Extrusion Profile
Brand	Jsw
Material	Aluminium
Color	Customized Color
Function	Door and Window Aluminum; Decoration Aluminum
Surface Finish	Mill / Anodizing (oxidation) / Sand blasting / Powder Coating / Electrophoresis / PVDF Coating / Wood effect.
Feature	strong, stylish, durable, corrosion-resistant.
Usage	Real estate, aluminum metal building materials, decoration, doors and windows, curtain walls, shutters, Roller blinds, machines, furniture, kitchen cabinets, bathrooms, radiators, LED profiles, fences, handrails, solar frames and panels, curtain tracks

Door Window Material and Aluminum Pipes Extrusions Aluminum Profiles

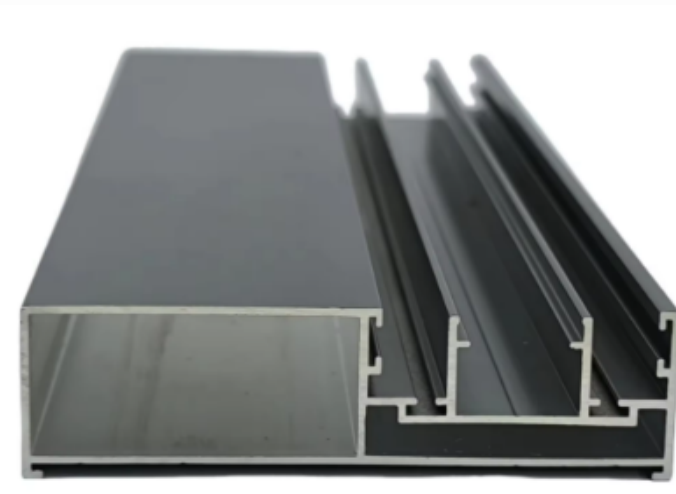


5. Customized Aluminium profiles for windows and doors

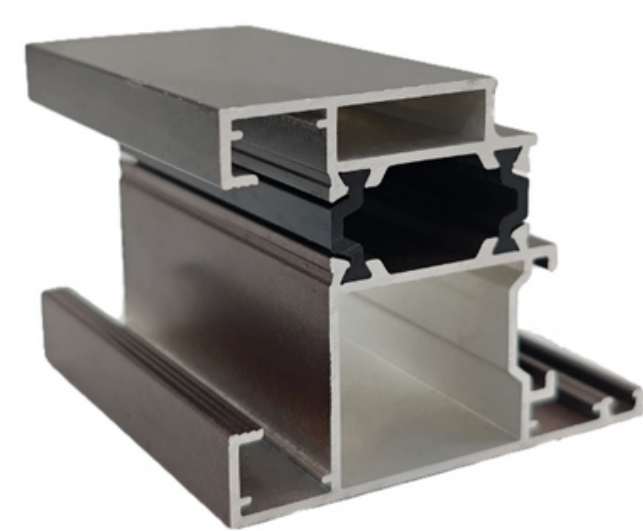
Custom Aluminum Extrusion Profile For China Anodized Glass Window Extrusion Aluminum Profile



Sliding glass slim frames door and window material extrusion custom aluminum window profile



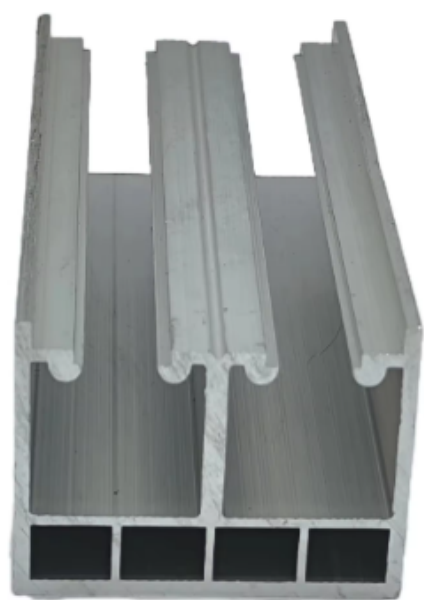
Top China Manufacturers frame profile aluminium alloy window door extrusion aluminum pro



Aluminum Extrusion Anodizing Powder-Coated Door And Window Profiles With Custom Service



V groove track roller guide bearing sliding door rail aluminum materi profile



Aluminum Folding Door Profile Glass Extrusion Frame Alloy Custom Manufacture 6063 Mill Finish Small Section Bottom Track



Anodized aluminum profiles for furniture wardrobe mirror glass door frames Chinese manufacturer wholesale

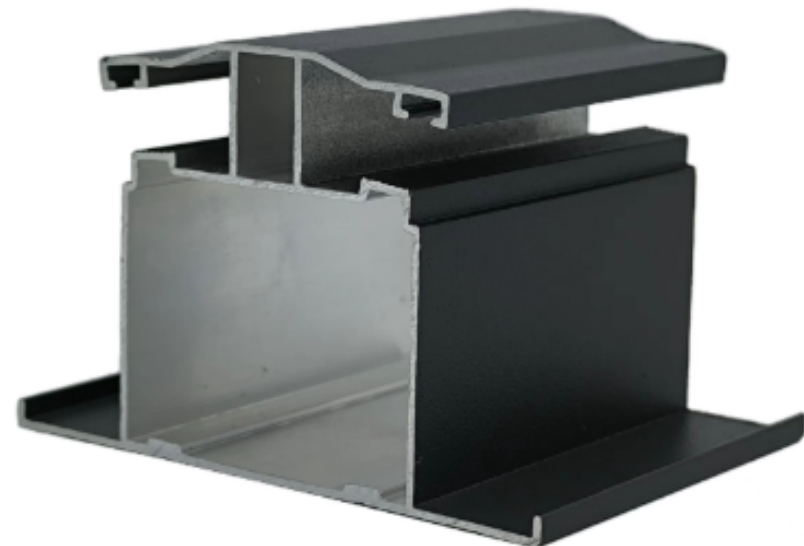


Durable sliding aluminum doors and windows Aluminum alloy profile processing Electrophoretic surface doors and windows



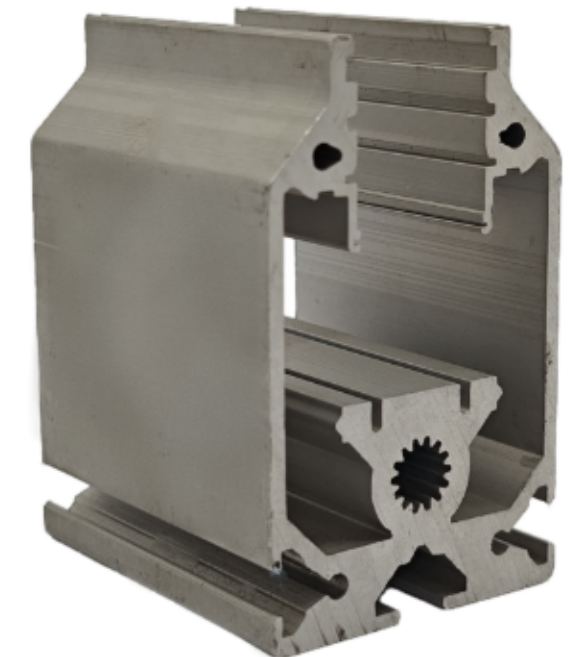
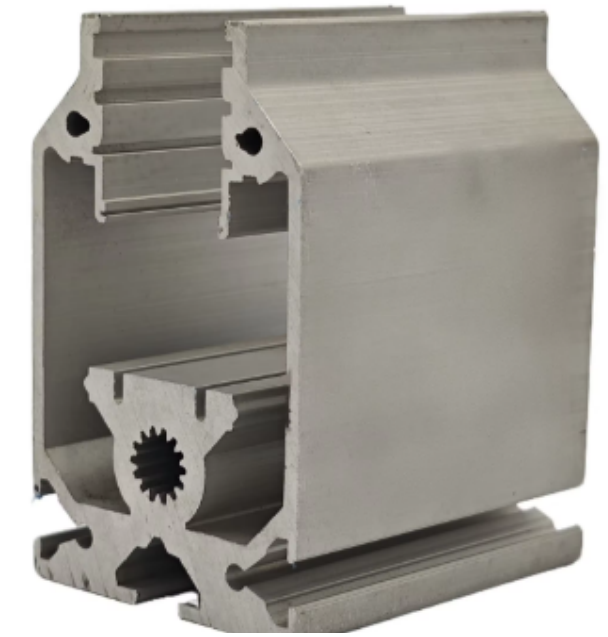
6. Industrial aluminium profile

Small Tolerance 6063 Extrusion Window Aluminum Profiles Decorative For Bathroom Sliding Door



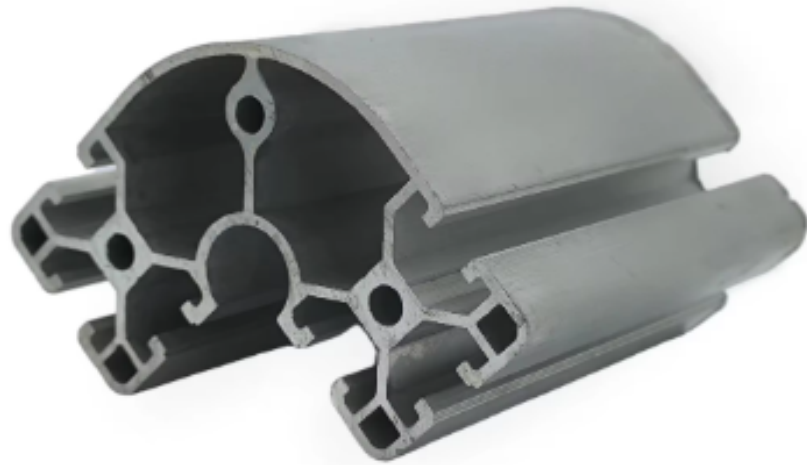
Name	t slot extrusion aluminum profiles
Brand	Jsw
Material	Aluminium
Color	Customized Color
Advantages	<p>1. Cost advantage of Anodized • No mechanical machining necessary request • Errors in construction or assembly can be rectified more easily</p> <p>2. Simple • Just order and assemble using standard t slot aluminum profile and accessories for any structures.</p> <p>3. Compatibility • T slot aluminum profile can be combined with products in other ranges</p>
Surface treatment	Powder Coating, Anodizing, Mill finish; Sandblasting; Hard Anodic Oxidation , Polishing, Brushing Electric-plating, Nickel Plating, Chrome Plating etc.
Usage	office building

China customized industrial aluminium extrusion wholesale aluminum profile Synchronous belt aluminum profile



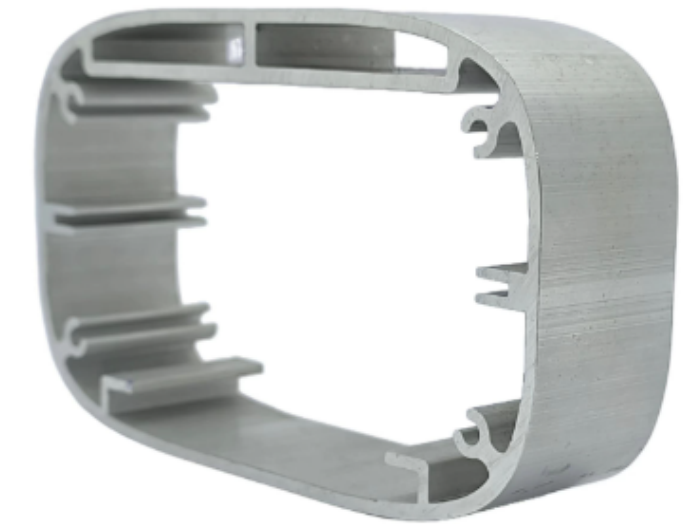
6. Industrial aluminium profile

Aluminum T Slot Profile
Triangle Aluminum Profile For
Kitchens



Name	t slot extrusion aluminum profiles
Brand	Jsw
Material	Aluminium
Color	Customized Color
Advantages	<p>1. Cost advantage of Anodized • No mechanical machining necessary request • Errors in construction or assembly can be rectified more easily</p> <p>2. Simple • Just order and assemble using standard t slot aluminum profile and accessories for any structures.</p> <p>3. Compatibility • T slot aluminum profile can be combined with products in other ranges</p>
Surface treatment	Powder Coating, Anodizing, Mill finish; Sandblasting; Hard Anodic Oxidation , Polishing, Brushing Electric-plating, Nickel Plating, Chrome Plating etc.
Usage	office building

Custom aluminium profile and t slot
profile for window door and aluminium
frame

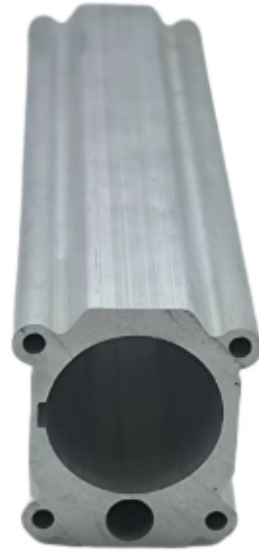


6. Customized Industrial aluminium profile

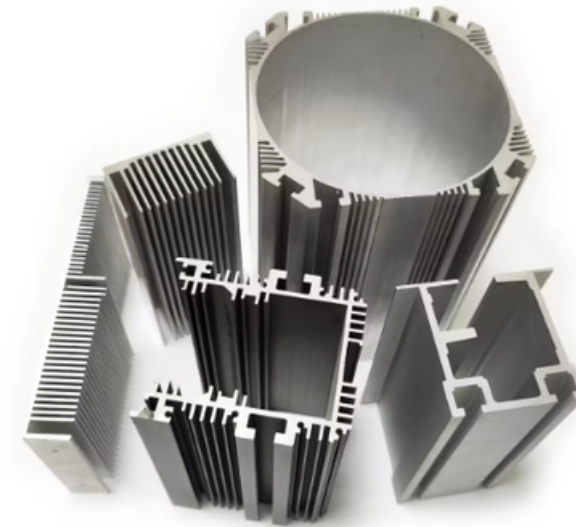
Modern Style Aluminium Ceiling Smart
Spotlight LED Surface Downlight Ceiling
Light Led Down Light



Extruded Metal Aluminium Alloy
6062 6063 Aluminum Extrusion
Profile Price Supplier



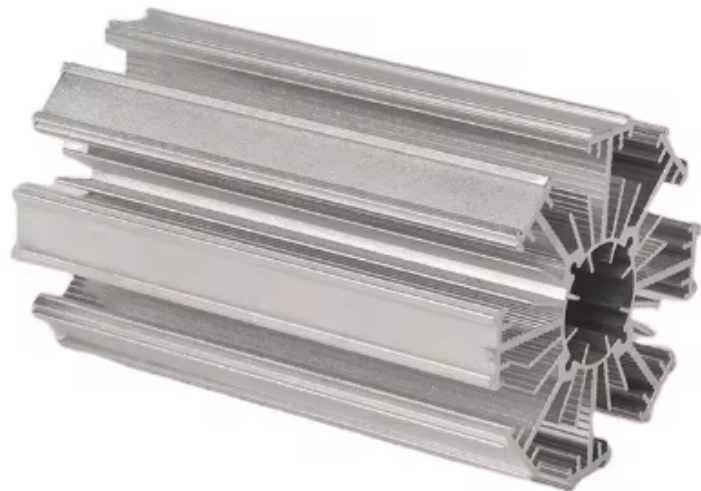
Custom Industrial Aluminum
Extrusion Profile



China Manufacture Industrial 80x160
Aluminium Extrusions Price Profiles for
Rack



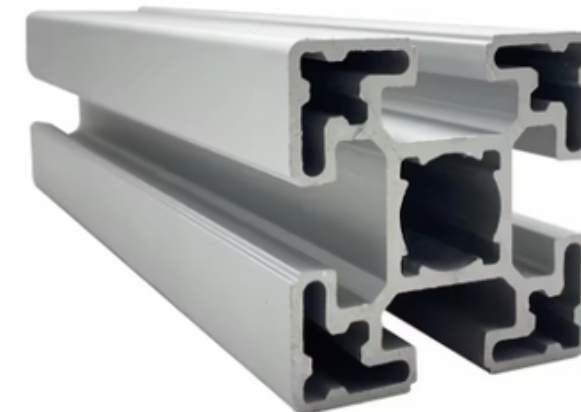
Custom Hot sale extrusion aluminium
profile aluminium product heat sink



OEM aluminium window profile
aluminium frame powder coating
silver anodized



Factory OEM anodized 8mm 40*40
industrial aluminium profiles extruded
custom aluminium frame extrusion t slot
aluminum profile

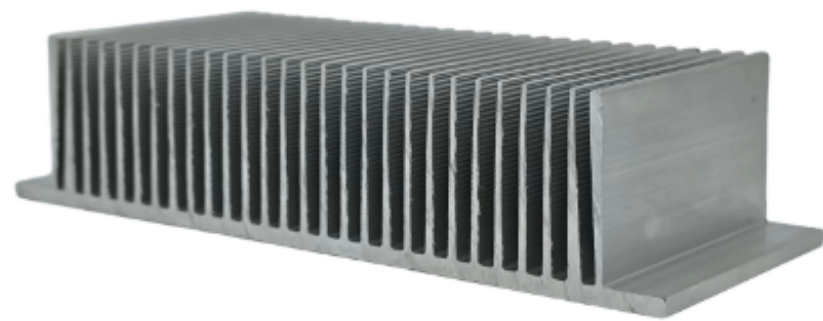


Customized Aluminum Extruded Profiles
6000 Series in Different Shapes Diverse
Aluminum Profiles



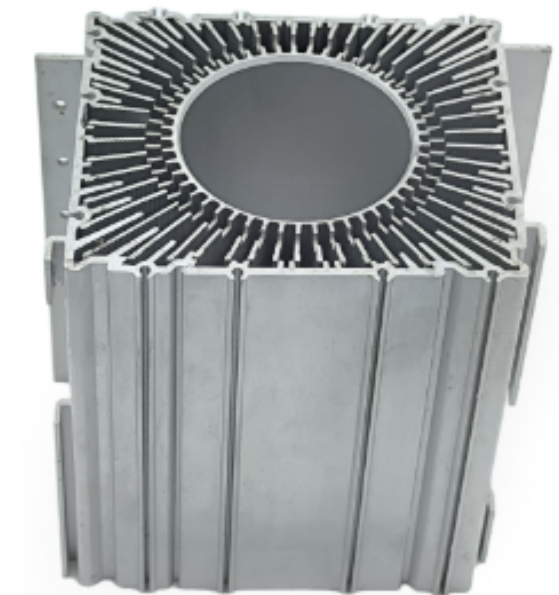
7. Aluminium heat sink profile

High Power LED Street Light Heat Sinks
Anodizing CNC Milling Drilling Aluminum
Profile Extrusion LED Heat Sinks



Name	Aluminum Heatsink Anodizing Extrusion Heat Sink
Brand	Jsw
Material	Aluminium
Color	Customized Color
Function	Increase heat dissipation
Main Production Equipment	Cold chamber die casting machine (from 280T~1680T), hot chamber die casting machine, CNC machine, CNC lathe, punching machine, polishing machine, grinding machine, powder coating
Feature	Heat dissipation, surface oxidation

Factory Custom CNC Machining Aluminium
6063Profile Extrude Motor Housing Aluminium
Heatsink Anodizing Extrusion Heat Sink



7. Aluminium heat sink profile

Precision Moulding Cooling Heat Sink Machining Extrusion Profile Anodized Aluminium Heat Sink



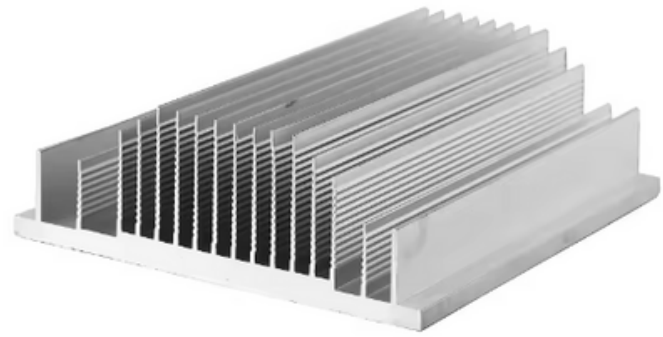
Name	Aluminum Heatsink Anodizing Extrusion Heat Sink
Brand	Jsw
Material	Aluminium
Color	Customized Color
Function	Increase heat dissipation
Main Production Equipment	Cold chamber die casting machine (from 280T~1680T), hot chamber die casting machine, CNC machine, CNC lathe, punching machine, polishing machine, grinding machine, powder coating
Feature	Heat dissipation, surface oxidation

Manufactory Wholesale Aluminium Heatsink Profile Manufacturer Aluminum Heatsink/Round Aluminum Heatsink

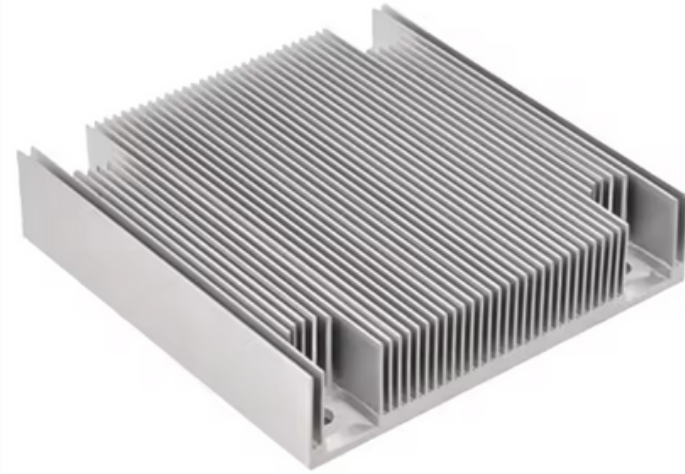


7. Customized Aluminium heat sink profile

CNC process high quality 6063 aluminum heatsink



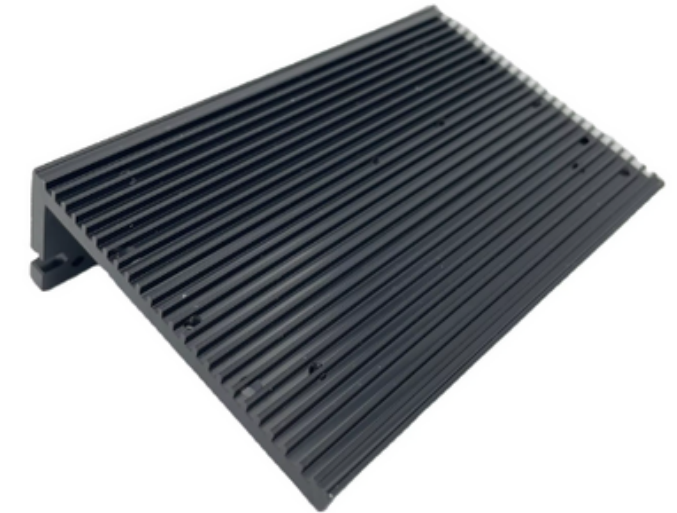
High Performance Anodized Led Aluminium HeatSink Transformer Radiator Heat Sink Profile



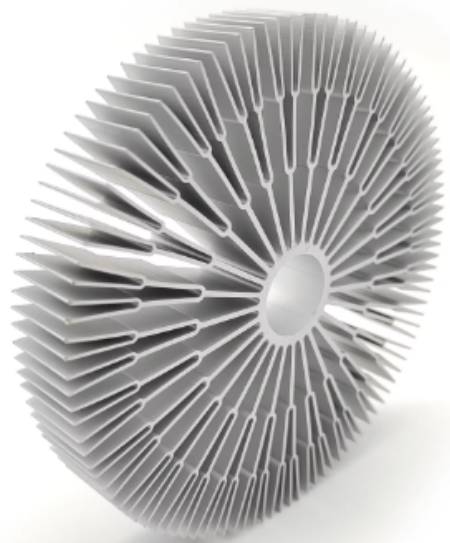
Factory Custom Powder Coated Aluminum Extrusions Heat Sink Anodized Led Heat Sink Heatsink Aluminum Parts



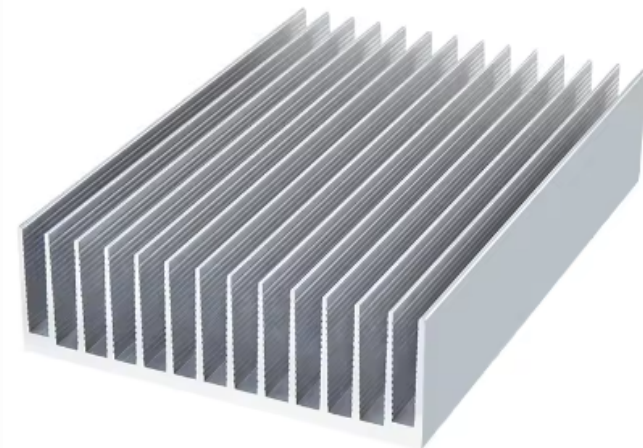
Cnc machining milling custom led flounering lights electronic aluminum heatsink profile radiator heat sink extrusion



Flexible Aluminium Extrusion Profile For Led Heatsink



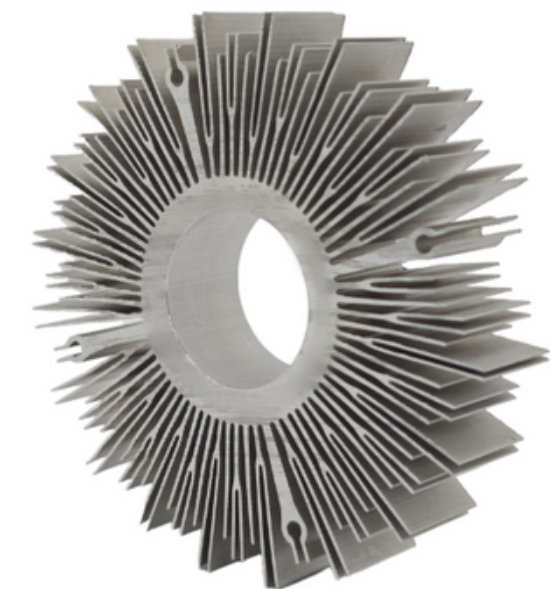
Manufacturer custom extruded heat sink led heat sink aluminum heat sink



Factory Customization Aluminum Extrusion Profile Heat sinkAquarium Led Water Heatsink Housing

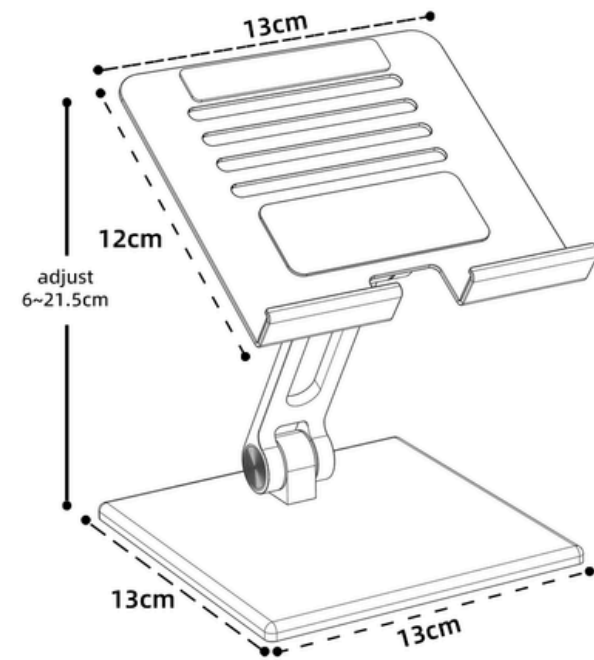


Aluminium Heat sink profile extrusion at very low cost custom aluminium profile extrusion



8. Computer stand

Portable foldable laptop stand | for
business travel and mobile office |
easy to carry

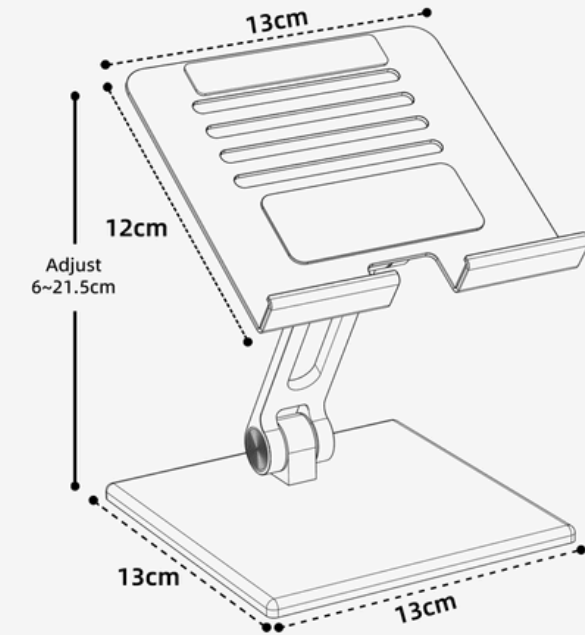


Carbon Steel Material Stable And Durable

Widened and thickened material, stable to
use without shaking



Product Parameters



Name: Tablet stand

Model: Z40

Material: Carbon steel+aluminum alloy+silicone

Lifting height: 6cm~21.5cm

Panel size: 13cm×12cm×0.2cm

Plate size: 13cm×13cm×0.6cm

Product weight: 534g

Hollow
Design



8.Computer stand

Aluminum alloy laptop stand - stable and durable, height adjustable, improve working comfort



Make The Desktop Cleaner

Reserved cable storage port on the back of the bracket for easy maintenance



Product Parameters

Model

Z30

Material

Aluminum alloy+silicone

G.W.

694g

Color

Silver/Black/Gray

Material thickness

4mm

Product Size

260×215×152mm

Box Size

295×210×50mm

Carton Size

435×310×410mm

8. Computer stand

Multi-functional 360° rotating laptop stand - ergonomic design to improve office efficiency



Model: Z41

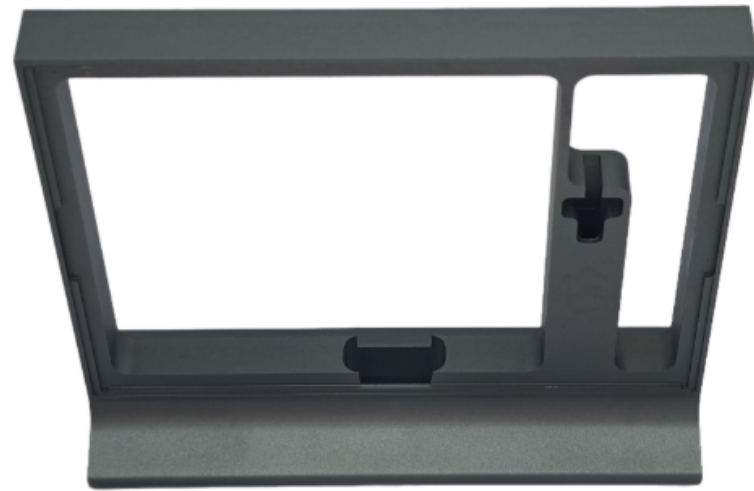
Material: Aluminum alloy+silicone

N.W.:780g

G.W.:890g

9.Machined & CNC Aluminium profile

Custom Shop Desk Digital Sign Display
 electronic table card Metal Plate Aluminium
 Desk Name Sign For Office Use



Name	Custom Shop Desk Digital Sign Display Metal Plate Aluminium Desk Name Sign For Office Use
Brand	Jsw
Material	Aluminium
Color	Customized Color
Item name	Office desk name plate , aluminum sign holder
Size	Custom
Applicable for	all area

High precision aluminum sheet metal
 fabrication metal battery box custom
 shell metal boxes for batteries



Name	High precision aluminum sheet metal fabrication metal battery box custom shell metal boxes for batteries
Brand	Jsw
Material	Aluminium
Color	Customized Color
Function	Industrial building
Feature	Thermostable and multifarious and strong practicality
Usage	Equipment Shell

9.Machined & CNC Aluminium profile

Customized High quality Fixed base floor corner brackets aluminum square handrail post base plate



Name	Fence post base
Brand	Jsw
Material	Aluminium
Color	Customized Color
Moulding and sample sending	1. Using current moulds in stock without any fee;2. Sample will be sent after freight is collected
Processing service	Bending, Decoiling, Welding, Punching, Cutting
Services	1. Help customers to open new mould2. Help customers to design and revise suitable drawings3.Precision cutting and bending service is provided4. CNC machining such as drilling, milling, punching is provided

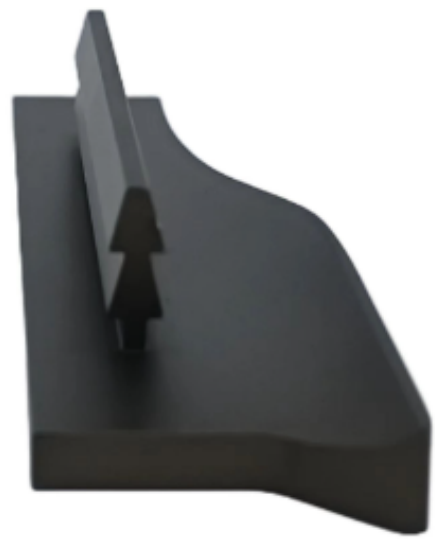
Die Casting Aluminum Frame Light Housing Parts Different sizes



Name	Die Casting Aluminum Frame Light Housing Parts Different sizes
Brand	Jsw
Material	Aluminium
Color	Customized Color
Function	Industrial building
Feature	Heat Insulation.Waterproof. Soundproof.Save Energy,Durable
Usage	New energy vehicles

9.Machined & CNC Aluminium profile

High quality aluminum anodized profile
handle extrusion aluminum profile for
kitchen cabinet



Name	Simple Design Aluminum profile Hardware Handle for Kitchen Cabinet
Brand	Jsw
Material	Aluminium
Color	Customized Color
Function	office building
Feature	Simple and businesslike and corrosion-resistant
Usage	Aluminum kitchen cabinet profile

Aluminum Handles/Glass Handles
for Sliding Glass Wall Door



Name	Aluminum Handles/Glass Handles for Sliding Glass Wall Door
Brand	Jsw
Material	Aluminium
Color	Customized Color
Function	office building
Feature	Durable, anti-corrosion and wear-resistant
Usage	doors and windows,sliding glass door ,hotel gate

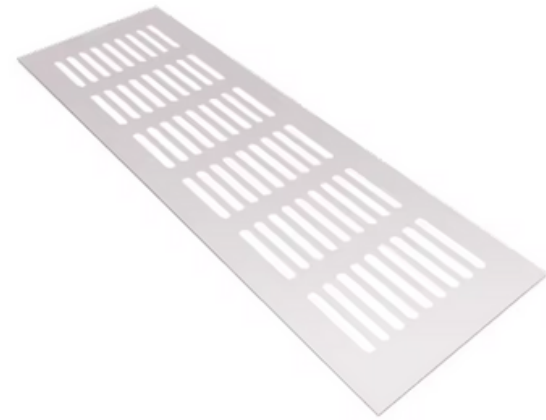
PRODUCT DISPLAY

9.Machined & CNC Aluminium profile

Customized Aluminum Awning
Bracket Parts Awning Supports
Mounting Brackets For Retractable
Awning Accessories



Furniture Accessories Aluminum
Ventilation Grille Cover For Cabinet
Kitchen Air Vent Covers Decorative
Exhaust Vent



Hot Sale Custom Aluminium New
3 Port Multi Type C USB C
Multifunctional Portable USB
Protect Power Supply



New Arrivals Customized Magnetic
Track Light System Aluminium
Magnetic Rail Track for Commercial
Store



New Arrivals Customized Magnetic
Track Light System Aluminium
Magnetic Rail Track for Commercial
Store



Glass Curtain Wall Aluminum Material
6063 Aluminum Alloy Exposed Frame
Hidden Frame Curtain Wall Aluminum
Alloy Profile



High Quality Custom Small Bracket
Metal Stamping Part Electronic
Components



High Quality 115 Plasterboards 58*98mm
Waist Line Drywall Surfaced Mounted
Aluminium Profile Series



9. Customized Machined & CNC Aluminium profile

Hot sale die cast aluminum handle for sliding door



Matt Black Aluminum Alloy Privacy Access Square Extremely Minimalist Door Handle Design Handles For Wooden Doors



Aluminum Alloy Modern Design Industrial Door Lever Handle



Modern Luxury Invisible Furniture Handle Aluminum Wardrobe Hidden Door Handles for Bedroom Window Handle Design



Torsion Hinge Constant Damping Buffer Hinge Adjustable Aluminium Alloy Smooth Modern Interior Wood Doors Cabinets Kitchen Hinge



High quality Aluminum Car Parts CNC Machined Aluminum Customized Cnc Machining Turning Parts Sale



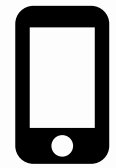
Custom High Performance CNC Extruded LED Aluminum Heatsink for LED



CNC Machining Supplier Precision CNC Milling Aluminum Parts Custom-made Metal Ashtray



Contact information



whatsapp: +86 13602478485
+86 19839133806



dennisdengc@gmail.com
zhihaodong67@gmail.com



+86 19839133806
+86 18042861215
+86 13602478485



<https://foshanjsw.en.alibaba.com/>



Building 1, No. 16, Chuangxin Avenue
West, Leping Town, Sanshui
District, Foshan, Guangdong

