

Adjust to your
surroundings

The more adjusted you
are, the more
comfortable you'll feel

isomars[®]

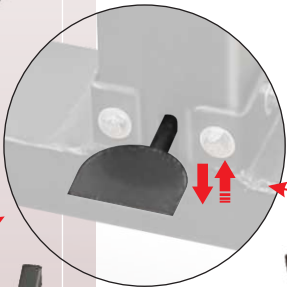
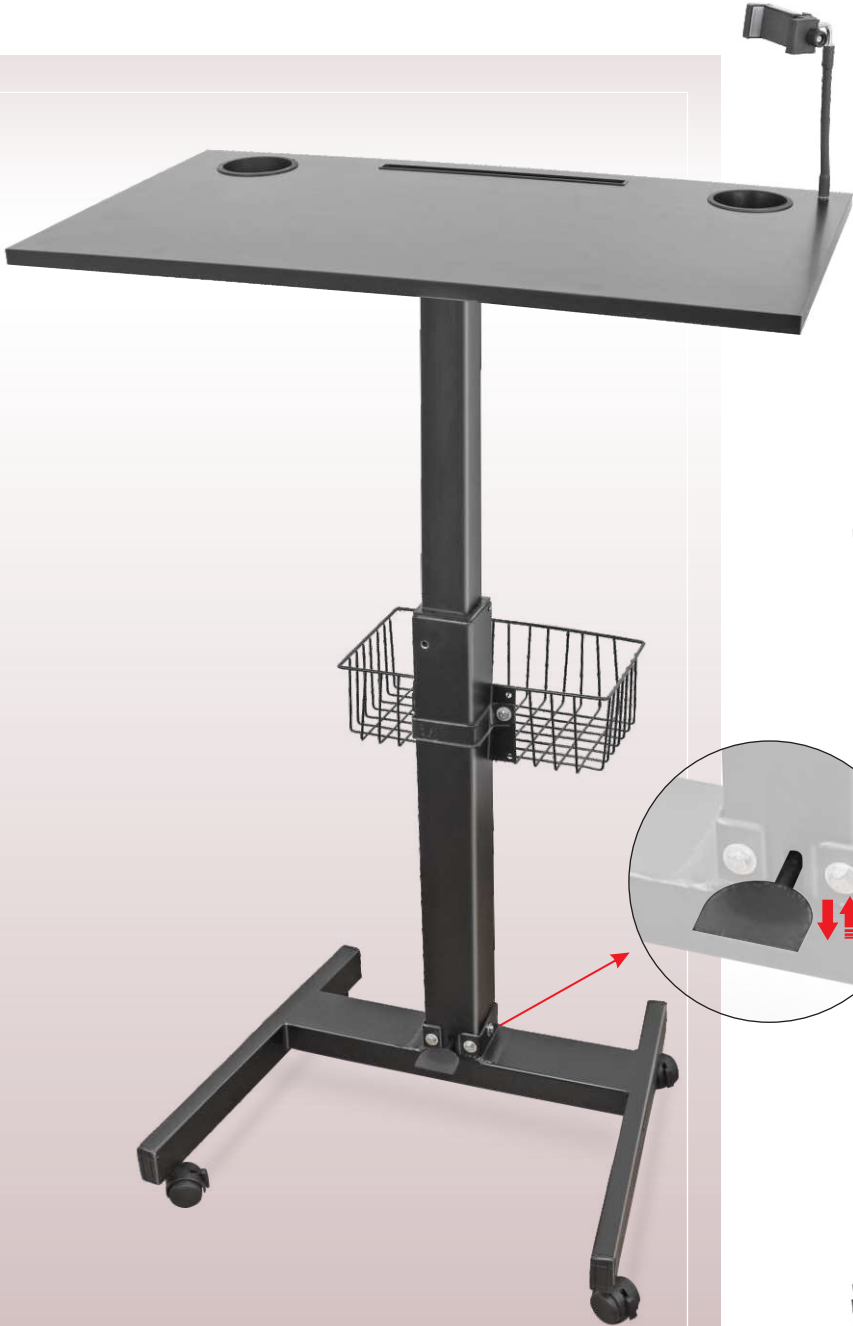
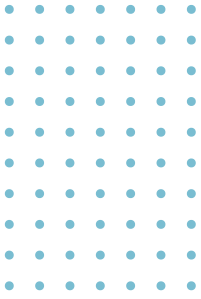
For Better Drawing
1959

Laptop, Computer Tables & Monitor Mount Stands



I S O M A R S . N E T

Air Lift Laptop Table - GPM1



Art #	Size	Description
GPM1	<ul style="list-style-type: none"> Table Top Engineered Wood Board Size : 30"/76 cm x 17" /43cm Frame (Metal) Size : 18" x 23" Adjustable Height Min. 30"/76 cm to Max. upto 41"/104 cm Net Weight : 11.6 kg. Colour Options : Black, White 	<ul style="list-style-type: none"> Metal Frame Table Top Engineered Wood Board Foot Clutch Spring Cylinder system to adjust height Accessories : Mobile / Tab Holder, Cup & Stationery Instruments Holder & Metal Basket

Sit -N-Stand Table - Adjustable - LDM5

Multi-function



Art # GPM1

Size

- Table Top Engineered Wood Board
- Size : 30"/76cm x 17"/43cm
- Frame (Metal)
Size : 28.5"/72cm x 17"/43cm
- Height : Adjustable 74 cm to 100 cm
- Net Weight : 11.7 kg.

Description

- Table-top angle can be adjusted upto 7 angles
- Metal Frame • Engineered Wood Board
- One Side Plastic Strip to avoid slipping objects
- 4 Wheels (Lockable) and 4 Floor Adjusters
- Colour Options : Black • White • Wooden Texture



Multipurpose Tilted Table - TILTED2

Multi-function



Art #

Size

TILTED-2 120cm/47" x 60cm/24",
BLACK Height : 78.7cm / 31"
Rack size : 58 x 43 cm (2 Racks)

Description

- Partially Tilted Table-top for Convenience
- Weight : 26.5 kg. approx.
- 7 Adjustable Angles
- Comes with 2 racks, Stationary, Tab / Phone & Coffee mug holder
- Colour Options : Black

Computer Table - CDM1

Multi-function



Art #	Size / Item
CDM1	<ul style="list-style-type: none"> • Table Top Engineered Wood Board • 20"/50.8cm x 14"/35.5cm (2pc.) • Stand (Metal) Size : L- 22" x W- 18" x H- 27" • Net Weight : 16.3 kg.

Description
<ul style="list-style-type: none"> • Adjustable Height for Monitor, Keyboard & Mouse • Metal Frame • Engineered Wood Board • Colour Options : Black & White



Computer Table - Adjustable - CDM2

Multi-function



Art #	Size / Item	Description
CDM2	<ul style="list-style-type: none"> • Table Top Engineered Wood Board • Size: 24"/60cm x 36"/91cm • Frame Size: 32.25" x 22" • Height : 31"/79x 47/120cm • Stand (Metal) Size : L- 22" x W- 18" x H- 27" • Net Weight : 21.5 kg. approx. • Colour Options : Black, White 	<ul style="list-style-type: none"> • Weight Holding Capacity : 15 kg. approx. • Engineered Table Top with Metal Frame • Comes with Basket, Stationery Holder and Tab / Mobile Phone Holder



Laptop Mount Stand for Table - MMTLS01

Size

Pipe & Arm Size :
18"/45 cm Both

Description

- Comes with Wire Clips
- Adjustable Height and Angles
- Round Pipe : 50 mm and Square Pipe 30 mm



Laptop & Monitor Mount Stand for Table MMTLS02

Size

Pipe & Arm Size :
18"/45cm Both

Description

- Comes with Wire Clips
- Adjustable Height & Angles
- Round Pipe 50mm and Square Pipe 30mm



Monitor Mount Stand - MMTS-1

Variant

For
Single Screen

Description

- Comes with Wire Clips
- 360° Rotatable Monitor Mount
- Adjustable Monitor Arm Angles & Height
- Pipe & Limb Size: 18"/45 cm Both



Monitor Mount Stand - MMTS-2

Variant

For
Double Screen

Description

- Comes with Wire Clips
- 360° Rotatable Monitor Mount
- Adjustable Monitor Arm Angles and Height
- Pipe & Limb Size: 18" / 45 cm Both



Computer Workstation Table - CDM4

Multi-function

Art #	Item
CDM4	Computer Workstation Table

Description

- Sturdy Material : Metal Frame and Table Top Engineered Wood Board
- Adjustable Height and Angles
- Comes with Lockable Wheels and Floor Adjusters
- Round Pipe Height 160 cm



Computer Workstation Table - CDM5

Multi-function



Art #	Item
CDM5	Computer Workstation Table

Description

- Sturdy Material : Metal Frame and Engineered Wood Board
- Adjustable Height and Angles
- Comes with Lockable Wheels and Floor Adjusters
- Round Pipe Height 160 cm

Table Mount Laptop Tray - Professional - TLPM02



Art #	Item
TLPM02	Table Mount Laptop Tray Professional

Description

- Rubber Padding for Better Grip
- Open Space for Better Laptop Cooling
- Suitable for almost all size of laptops 12" / 30 cm to 17"/ 43cm
- Comes with Velcro Belt for Safety



Premium - TLPM01



Art #	Item
TLPM01	Table Mount Laptop Tray Premium

Description

- Rubber Padding for Better Grip
- Open Space for Better Laptop Cooling
- Suitable for almost all size of laptops 12" / 30 cm to 17"/43cm

Laptop Bed Desk - LDM1420

Multi-function



Art # LDM1420

Size / Item

- Engineered Wood Board
Size : 20"/50.8cm x 14" /35.5cm
- Frame (Metal) Size : 19" x 12"
- Adjustable Height from
Min. 25 cm to Max. upto 35 cm
- Net Weight : 4.5 kg.

Description

- Angle Rotation upto 360°
- Metal Frame
- Engineered Wood Board
- Both Side Plastic Strip to avoid slipping objects
- Colour Options : Black & White



Sit -N-Stand Laptop Table - LDM1

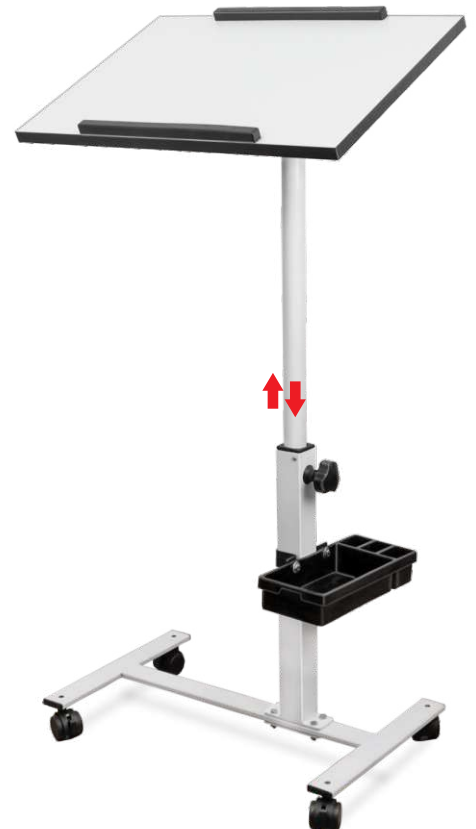
Multi-function

Art # Size / Item

- LDM1
- Engineered Wood Board
Size : 20"/50.8cm x 14" /35.5cm
 - Frame (Metal) Size : 20.5" x 12"
 - Adjustable Height from
Min. 66 cm to Max. upto 96 cm
 - Net Weight : 5.5 kg.

Description

- Angle Rotation upto 360°
- Metal Frame • Plastic Utility Tray
- Engineered Wood Board
- Both Side Plastic Strip to avoid slipping objects
- 4 Wheels (Lockable) and 4 Floor Adjusters
- Colour Options : Black • White • Wooden Texture





Sit -N-Stand Table - Adjustable - LDM3

Multi-function

Art #	Size / Item
LDM3	<ul style="list-style-type: none"> Table Top Engineered Wood Board Size : 20"/50.8cm x 14" /35.5cm Mouse Board 35.5cm /14"x 20cm /8" Frame (Metal) Size : 60 cm / 23.5 x 40 cm x 15.5" Height : Adjustable 66 cm to 96 cm Net Weight : 7.8 kg.

- Description**
- Table-top angle can be adjusted upto 330°
 - Metal Frame • Engineered Wood Board
 - Metal Basket • Both Side Plastic Strips to avoid slipping objects
 - 4 Wheels (Lockable) and 4 Floor Adjusters
 - Colour Options : Black & White



Sit -N-Stand Table - Adjustable - LDM4

Multi-function

Art #	LDM4
Size	<ul style="list-style-type: none"> Table Top Engineered Wood Board Size : 20"/50.8cm x 14" /35.5cm Mouse Board 35.5 cm /14"x20cm/8" Frame (Metal) Size : 70 cm / 27.5" x 51 cm / 20" Height : Adjustable 66 cm to 96 cm Net Weight : 8.5 kg.

- Description**
- Table-top angle can be adjusted upto 360°
 - Metal Frame • Engineered Wood Board
 - Metal Basket • Both Side Plastic Strip to avoid slipping objects
 - 4 Wheels (Lockable) and 4 Floor Adjusters
 - Colour Options : Black & White



Foldable Bed Desk/ Floor Desk - LDM6

Multi-function



Art # Size

- | | |
|------|--|
| LDM6 | <ul style="list-style-type: none">• Table Top Engineered Wood Board
Size : 30"/76 cm x 17" /43cm• Frame (Metal) Size : 17"x10" / 25x43cm• Height : 10" / 25 cm• Colour Options : Black, White
& Wooden Texture• Net Weight : 7 kg. |
|------|--|

Description

- Metal Frame • Foldable Legs
- Table Top Engineered Wood Board
- Accessories : Coffee Mug Tray, Mobile / Tab and Stationery Holder



Multipurpose Adjustable Projector Table - LDM8PRO

Multi-function



Art #	Size
LDM-8PRO	<ul style="list-style-type: none">• Table Top Engineered Wood Board Size : 20"/50.8cm x 14" /35.5cm• Frame (Metal) Size : 23.5" x 16" (59.5 x 40.5 cm)• Height : 31"/78 cm extendable upto 44"/110 cm)• Colour Options :Black & White• Net Weight : 11 kg.

- Description**
- Metal Frame & 2 Engineered Wood Board Table Tops
 - Adjustable Height & Angles of both table tops
 - Accessories : Two Safety Belts to hold Projector & Laptop, Stationery Instruments Holder

Tripod Mobile Holder - TMH

Art #	Size	Description
TMH01	Opening: 5.8cm min. & 10.5cm max. (Inside)	• Suitable for all Mobiles
TMH02		• Provided Premium quality foam & Rubber cushioning for better grip & Safety of Gadget
TMH03		• 360° Rotational



Rotational



TMH01



TMH02



TMH03



For Better Drawing
1959

Laptop,
Computer Tables &
Monitor Mount Stands

ENHANCES CREATIVITY

Increase in productivity
in the workplace

PAUL BROTHERS

Email: laptopstables@gmail.com
ranjanisomars@gmail.com

Website : www.isomars.net

B-219, Okhla Industrial Area, Phase -1
New Delhi-110020 INDIA

Contact us :

For Business : +91 92104 47808 (Sanjiv Kapoor)
For Orders & Query : +91 81783 67321 (Ranjan)



Scan for YouTube Assembly Videos



ISOMARS.NET