

# E-CATALOGUE 2025



Steven Lee Market Director  
HUIJIELONG (QINGDAO) INTERNATIONAL

+86138 6485 5513

hjl-cleaner@hotmail.com

<https://hjlcleaner.en.made-in-china.com>

Room 29-22 Block B Nuode Square  
No.328 Dunhua Road Shibe District Qingdao



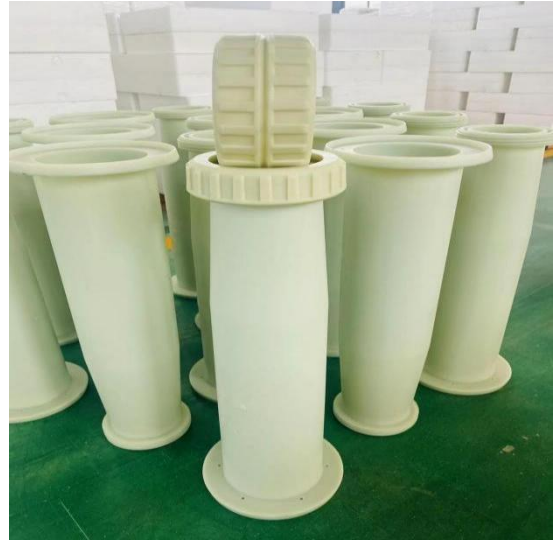
**Part-1 TC/SC133, TC/SC132,LW90 , RB77, RB87, RB200,  
RB300, RB450, RB600**

**1-TC133, SC133 Centrifugal Cleaner**





**2-TC132 , SC132 Centrifugal Cleaner**



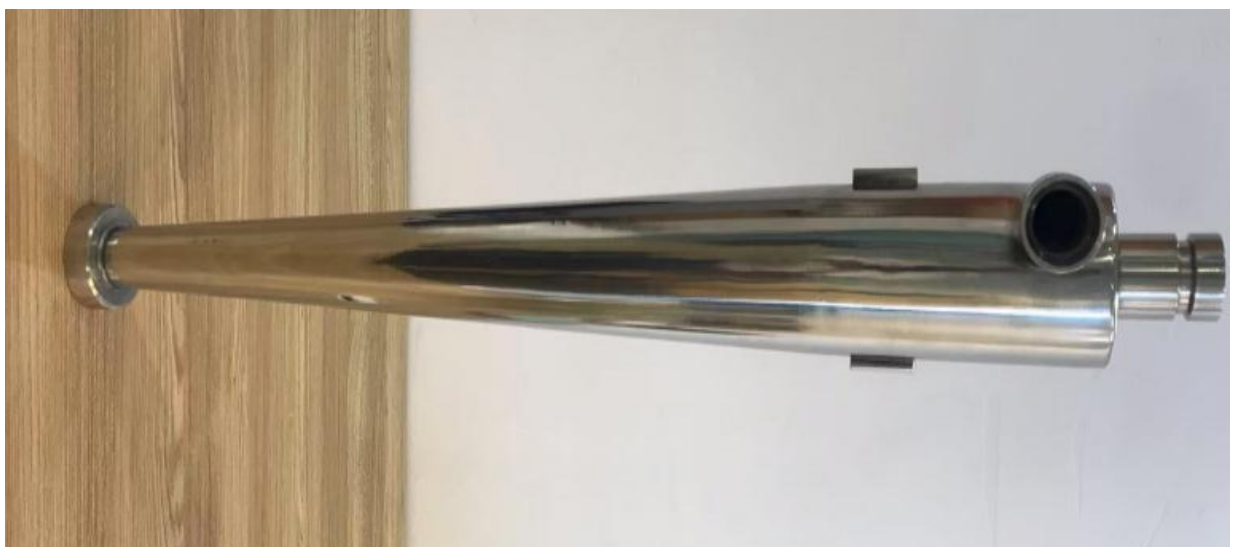
### 3-LW90 Centrifugal Cleaner



### 4-RB77 Centrifugal Cleaner



### 5-RB87-Centricleaner



## 6-RB200 Lower Density Cleaner



## 7- RB300 High Density Cleaner



## 8-RB600 High Density Cleaner



**Part 2 KS160, KS60, HCL5, HICC400/600,  
KS250, KS200, KS900,**

**1- KS60 Centrifugal Cleaner**



**2- KS160 Centrifugal cleaner**



### 3- KS900 Centrifugal Cleaner



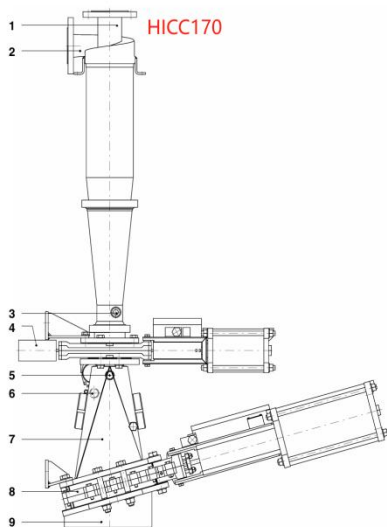
### 4- HCL5, HCH5, HC5 Centrifugal Cleaner



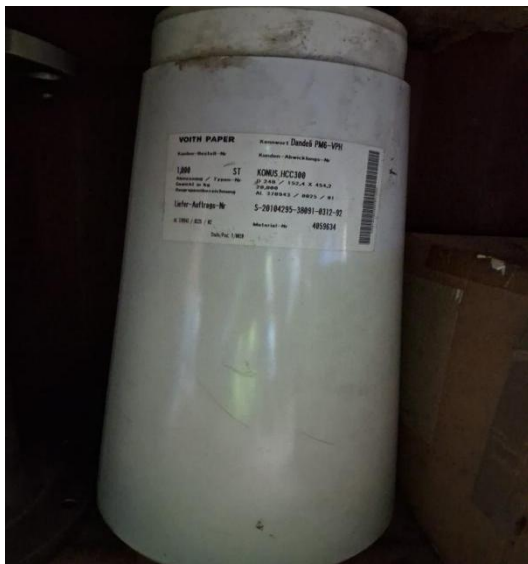
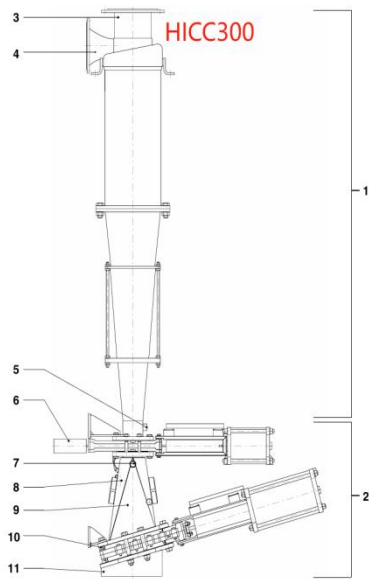
## 5- KS200 /KS250 High density cleaner



## 6- HICC170 High Density Cleaner



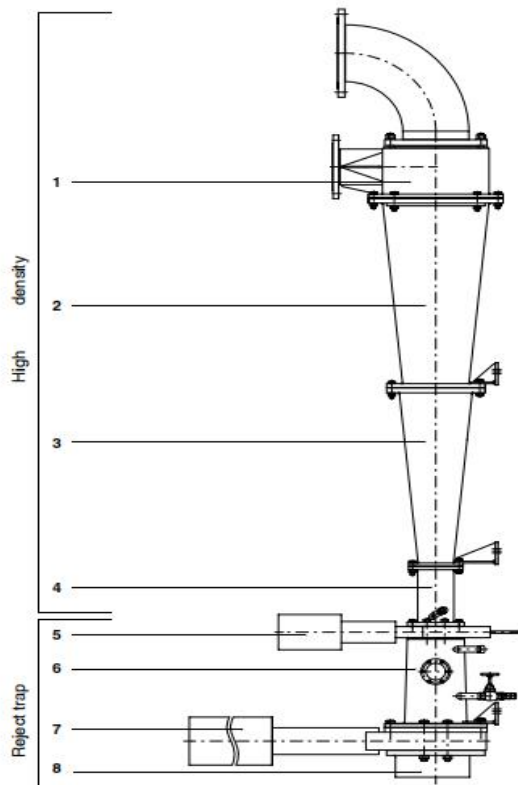
## 7- HICC300 Higher Density Cleaner



## 8- HICC400, HICC600 Higher Density Cleaner



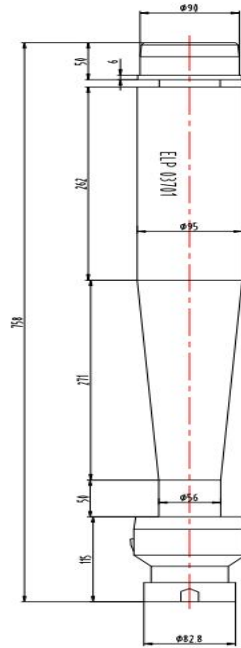
## 9- DR600 High Density Cleaner



- |                         |                    |
|-------------------------|--------------------|
| 1 Headpiece             | 5 Upper trap valve |
| 2 Upper separating cone | 6 Trap tank        |
| 3 Lower separating cone | 7 Lower trap valve |
| 4 Intermediate tube     | 8 Flinger          |

**Part 3 CT10, CT15, CT30, CT60, CT108, XCEL150,  
X-clone, LCK10, LCK11 , LCK12, LCK14.50  
LCK17,LCK20 ,LCK25, Noss cone**

**1-CT10 centrifugal cleaner**



**2-CT15 Centrifugal cleaner**



### 3-CT30, CT60 centrifugal cleaner



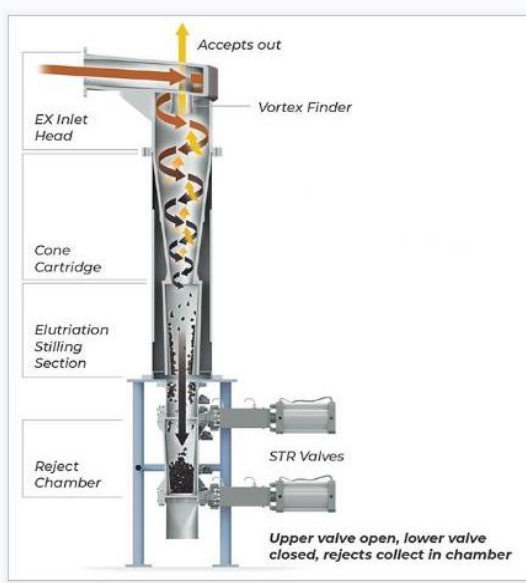
### 4-CT108 Centrifugal cleaner



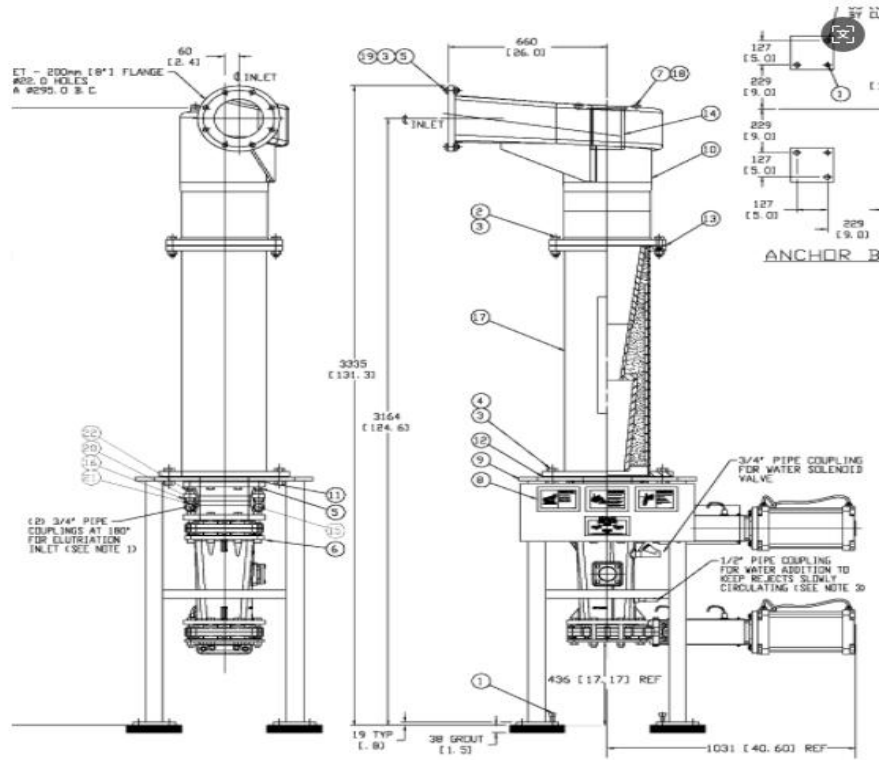
**5-XCEL150 Centrifugal cleaner**



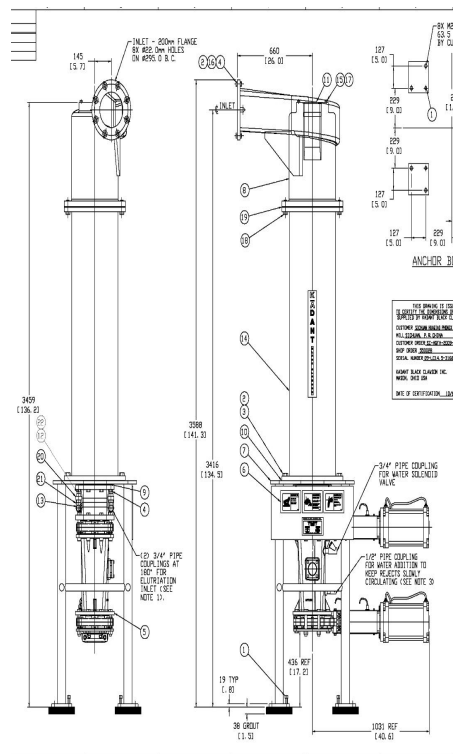
## 6-LCK10, LCK11 High Density Cleaner

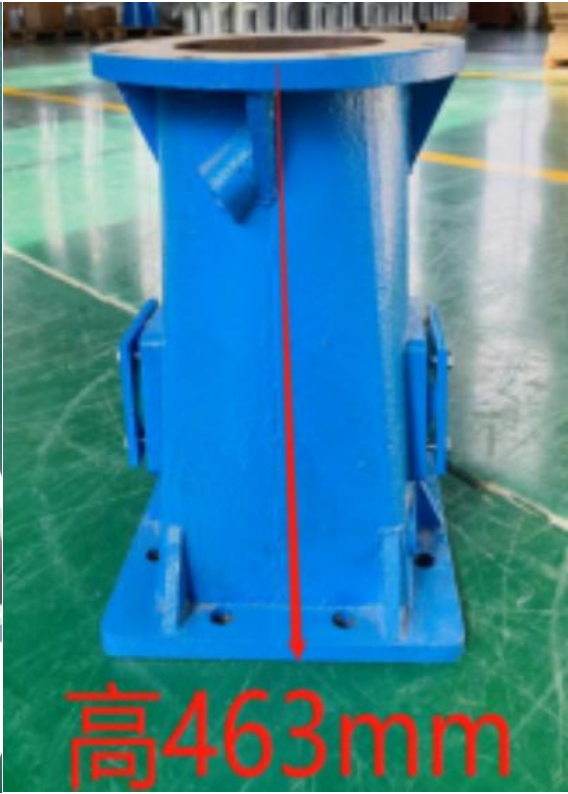
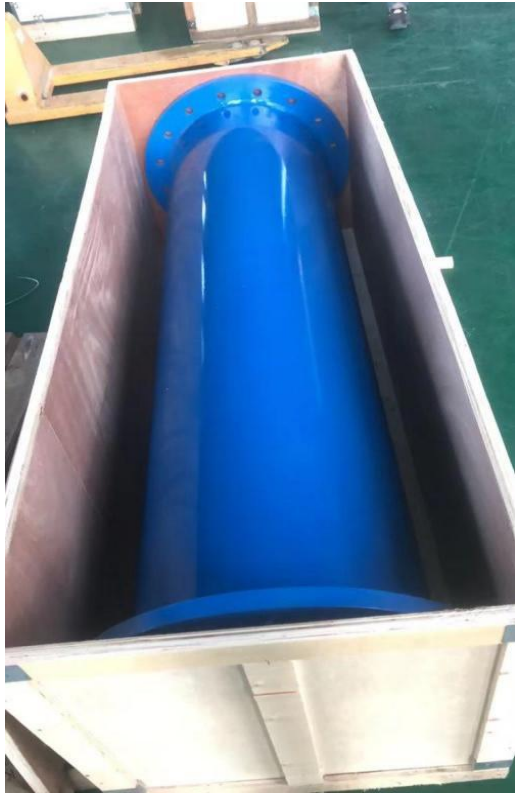


# 7-LCK12 High Density Cleaner

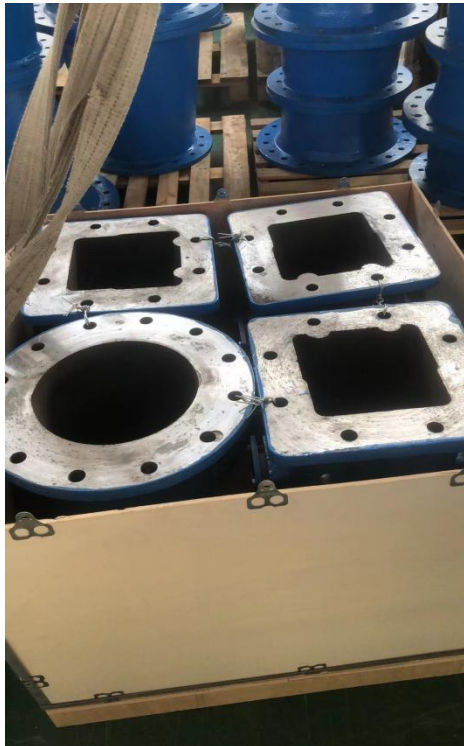


# 8-LCK14.50 High Density cleaner



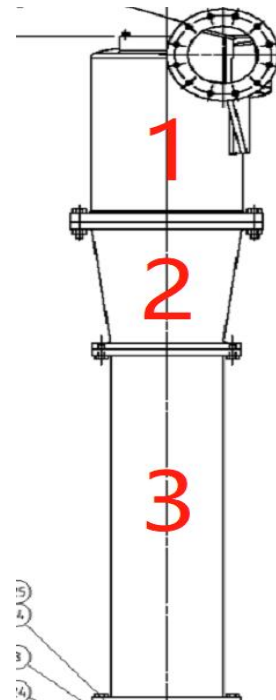


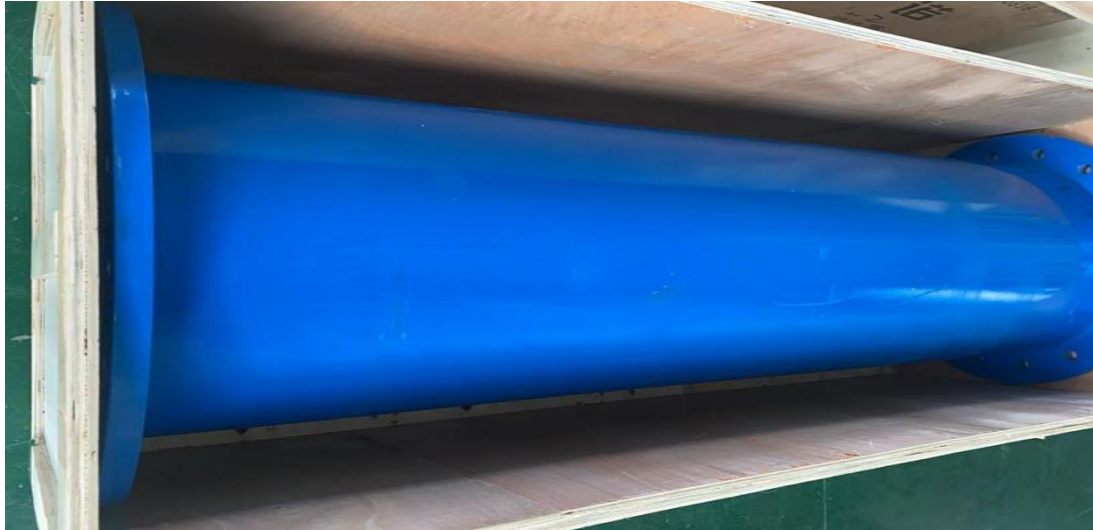
9-LCK17 High Density cleaner





**10-LCK20 High Density Cleaner**

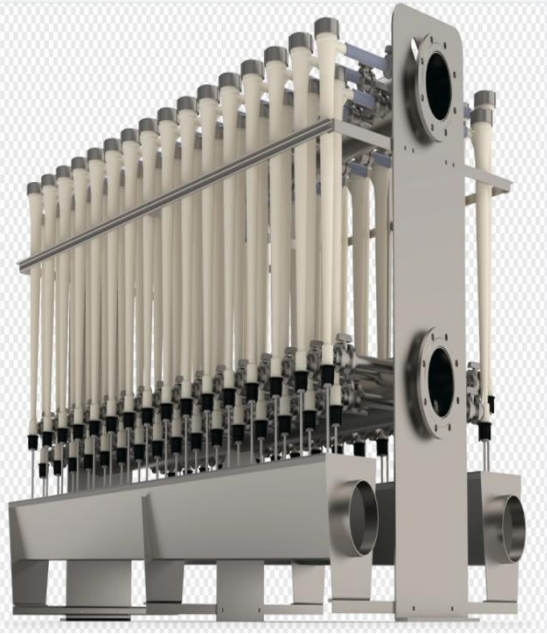
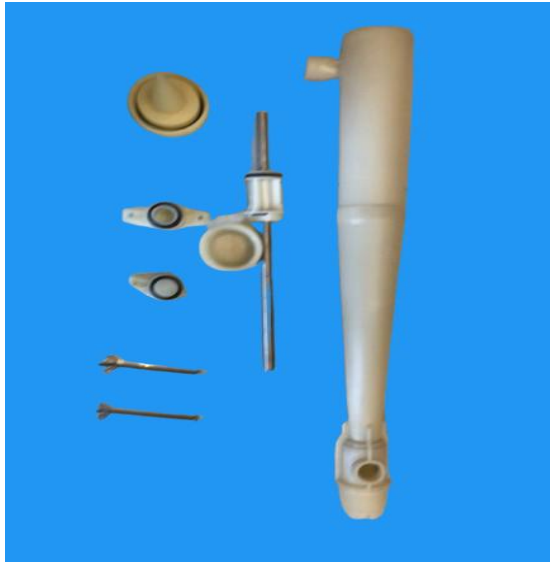




**12-LCK25 High Density cleaner**



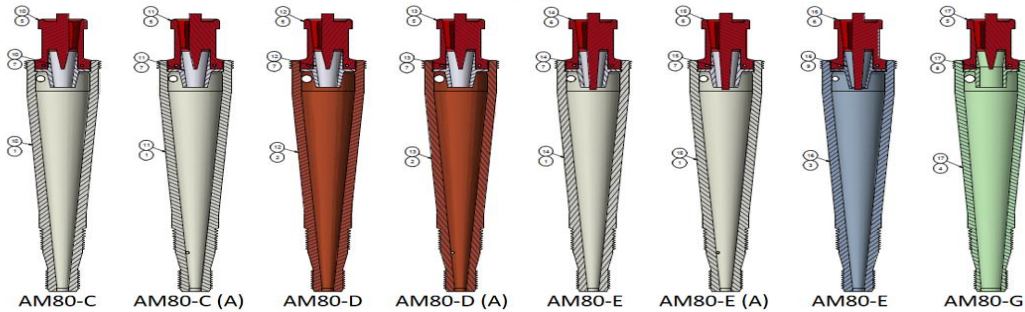
**13- X-CLONE Light Contaminants Cleaner**

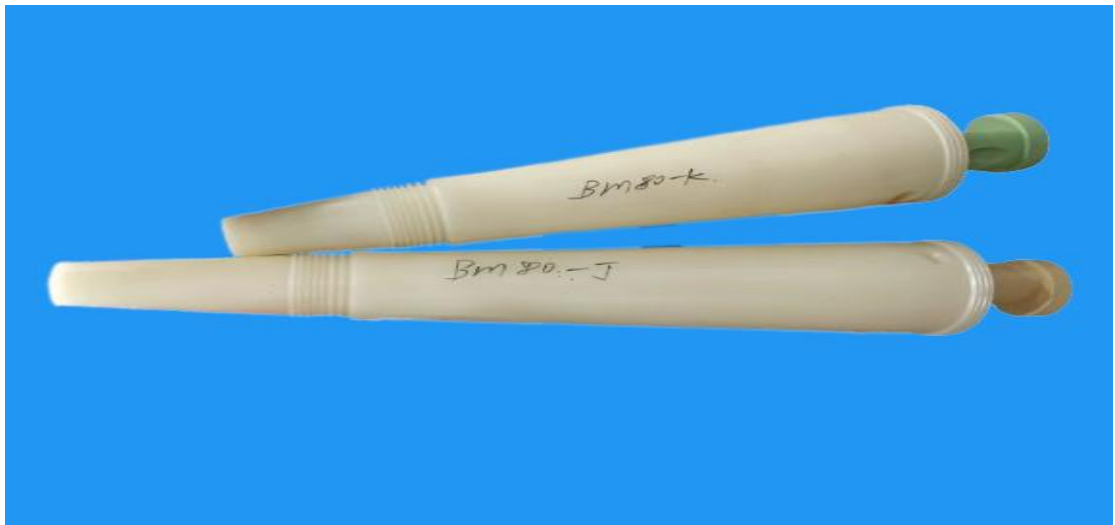


**14-AM80C, AM80D, AM80E, AM80G , BM80K BM80J**

**Noss AM 80**

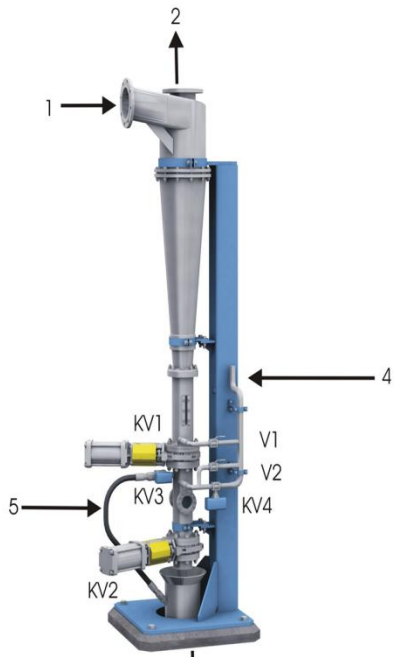
Cleaner Type	Pressure drop		Capacity		Diameter hole, mm			Water
	psi	kPa	GPM	L/min	Feed	Accept	Reject	
AM80-C	14.5	100	26.4	100	13.5	26.5	18.0	5.0
AM80-D	14.5	100	34.3	130	16.2	26.5	18.0	5.0
AM80-E	14.5	100	26.4	100	13.5	26.5	18.0	5.0
AM80-F	29.0	200	26.4	100	10.5	20.0	18.0	N/A
AM80-G	8.7	60	34.3	130	16.2	35.0	30.0	N/A





# Part 4 HC200, Tripack90, GLV270, GLV350 GLV700, Twister ,Uniflow

## 1- HC200



## 2- TRIPACK 90

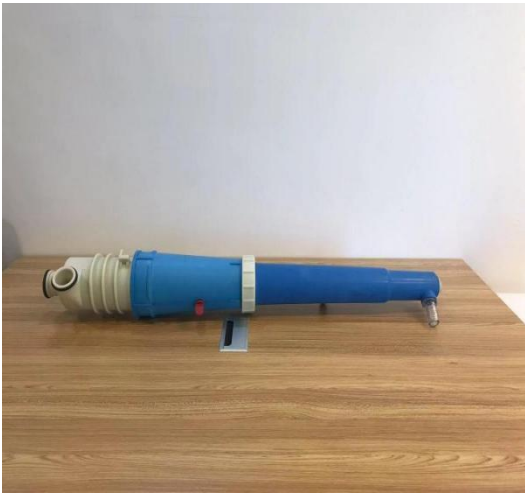




**3- GLV270/CLP270**



**4- GLV350/CLP350/CLP350L**



**5- GLV700/CLP700**





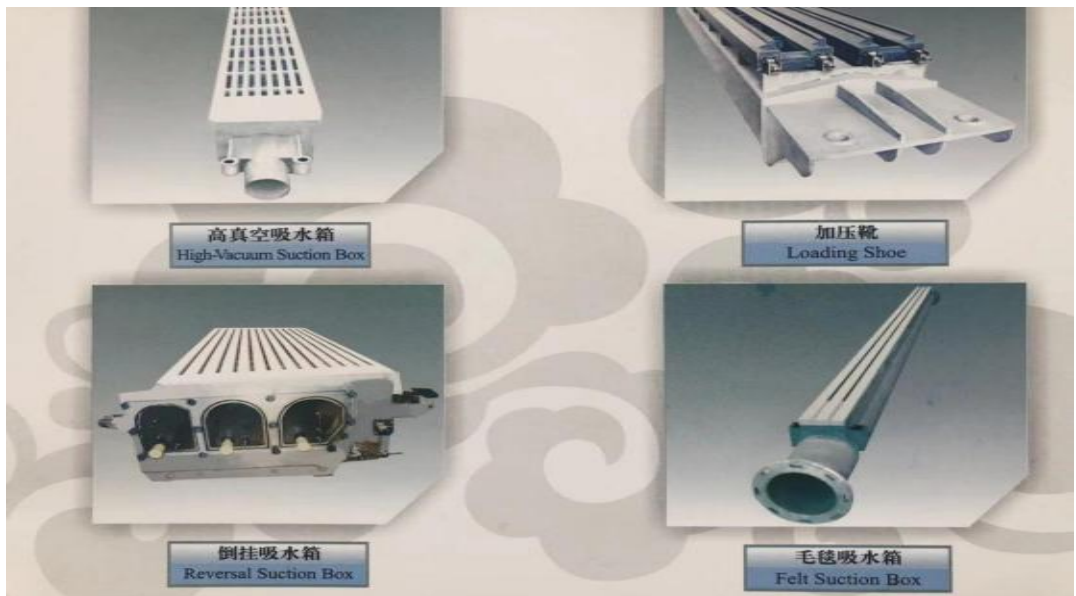
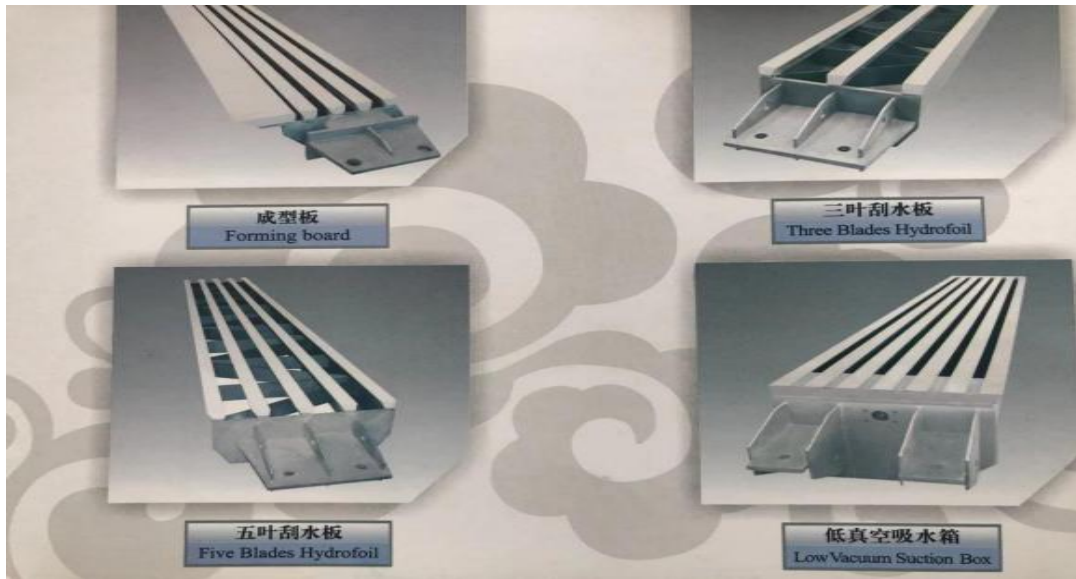
## 6- Celleco Twister cleaners



## 7- Uniflow Centrifugal Cleaners

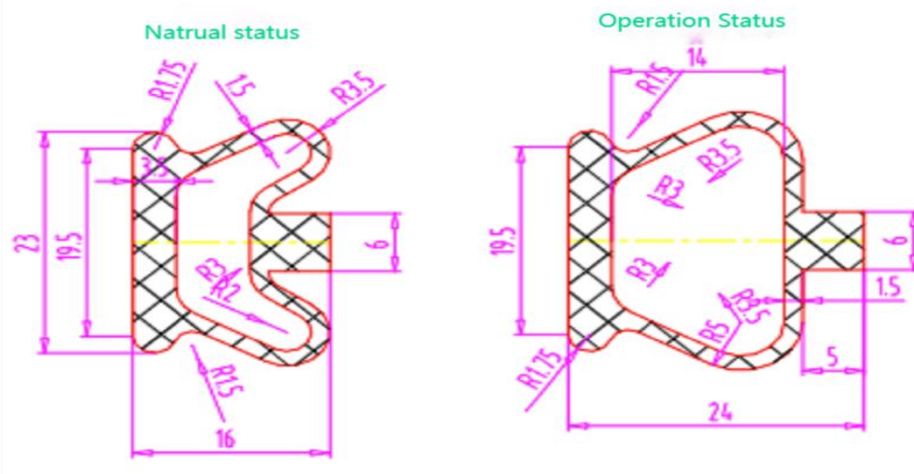
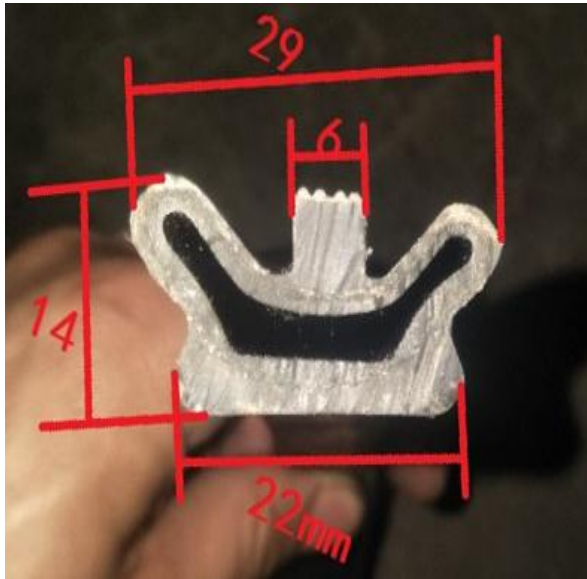


## Part 5 Dewatering Elements and Parts



## Part 6 Air tube/Air hose

### 1- Air Tube for sizing and coating machine



### 2-Air hose for Doctor Blade



## Part 7 Installation and Discharge Tools for Cleaners

### 1- Tool CLP700 Cleaner Tool for Noss cone



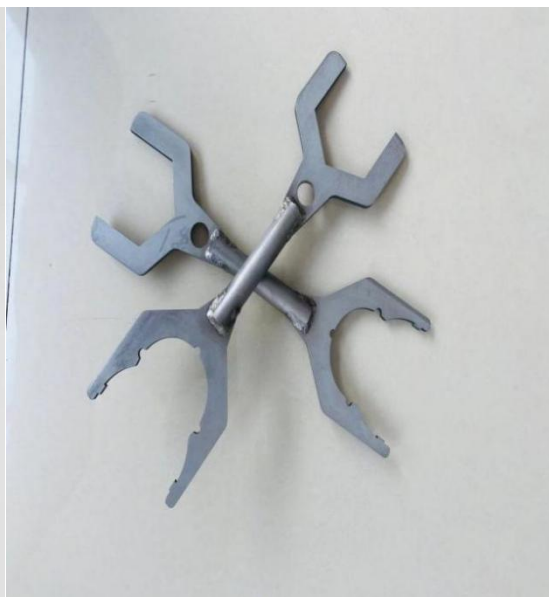
### 2- Tool for sight Glass of TC/SC133



### 3-Flush tool for TC133 Cleaner without shutdown



### 4-Tool for XCEL150



**Notice :** All these cleaners, parts, tools and dewatering elements are only showed Partially for your reference at styles purpose. When you place order please confirm style, size, material, functions etc. Besides these, we can customize New or old style parts according to your samples or production drawings