



中容电子

ZHONGRONG ELECTRONICS



安徽中容电子有限公司

Anhui Zhong rong Electronics Co.Ltd.

电话 : 0562-2888066

传真:0562-2888766

TEL:0086-562-2888065

FAX:0086-562-2888766

邮箱 : sky@anhuizr.com

E-mail:angela@anhuizr.com alina@anhuizr.com

QQ : 515211087

959414997

web:www.anhuizr.com

www.anhuizr.cn

地址 : 安徽省铜陵市经济技术开发区翠湖四路5105号5号厂房

ADD.: No.5105,Cuihu Road, Tongling City , Anhui Province, China

• 2018 •

安徽中容电子有限公司

Anhui ZhongRong Electronics Co.,Ltd.

公司介绍 Company Introduction >>

安徽中容电子有限公司成立于2015年6月，是一家集开发、设计、制造、销售及服务一体化的电容器专业制造企业，主营：电容器、BOPP薄膜、金属化膜等，产品广泛应用于家用电器、工业电力电子、新能源、智能电网、灯具（照明）、电力电网、自动化工程等各大行业。

Anhui ZhongRong Electronics Co.,Ltd, founded in June, 2015, is a professional capacitor manufacturer integrate development design, production, sales and service. Main Products: capacitors, BOPP film, metallized film, widely used in household appliances, industrial power electronics, new energy, smart grid, lamps and lanterns(lighting), electric power grids, automation engineering and other industries.

公司坐落在素有“中国古铜都”之美誉的安徽省铜陵市，地理位置优越，西邻合铜黄高速公路入口和长江港口，南邻佛教圣地九华山，水、陆、空交通十分便捷，各项物流配套设施齐全！

The company is situated in Tongling, Anhui Province which known as China bronze, He Tong Huang highway entrance in the west, Jiuhua Mountain-Buddhist shrine in the south. Excellent transport facilities of the sea, road and air transportation

现公司拥有一支年轻充满活力、高素质和专业的管理团队，本着“诚信、和谐、创新、进取”的经营理念，公司始终以客户需求为导向，着力打造性价比最好的产品，致力于产品开发及产品国内外销售和服务网络的建立，并以优质的产品和全方位专业化的优质服务满足广大客户的需求。

The company has a young dynamic, high-quality and professional management team. The company always sticks to the customers' demands, with business philosophy "Honesty, harmony, innovation and enterprising", focused on creating best effective-cost products, We are committed to the product development and establishment of sales and service network, and to meeting customers' demands with high-quality products and comprehensive professional services.

安徽中容电子愿与社会各界人士携手合作，共谋发展！

Anhui Zhong rong Electronics Co.Ltd look forward to establishing long business relationship with you based on mutual benefits with all community.

合作发展 共创未来

Cooperative development, Build a better future!

◎ 目录 CONTENTS >>

1. 交流马达电容器 AC Motor Capacitor	
CBB65交流电动机电容器 CBB65 AC Motor Capacitor (column,aluminum case,anti-explosion)	03
CBB61交流电动机电容器 CBB61 AC Motor Capacitor (plastic case)	05
CBB60交流电动机电容器 CBB60 AC Motor Capacitor (column,plastic case)	07
2. 电力电子电容器 Capacitor For Power Electronics	
直流支撑滤波电容器 DC-Link Capacitor (photovoltaic wind power DC filter capacitor)	09
CBB15.CBB16逆变焊机直流滤波电容器 CBB15.CBB16 Welding inverter DC Filter Capacitor	13
MFO(D)储能脉冲滤波电容器 MFO(D)Energy Storage,Pulsed,DC-Link Capacitor	15
三相交流滤波电容器 Three phase AC filter capacitor	18
BSMJ.BCMJ.BZMJ低压并联电容器 BSMJ.BCMJ.BZMJ Series self-healing type low voltage paralld capacitor	19
3. 电容器用金属化薄膜 Metallized Film for Capacitor	21
4. 公司荣誉与认证 Honor and Certificate	24



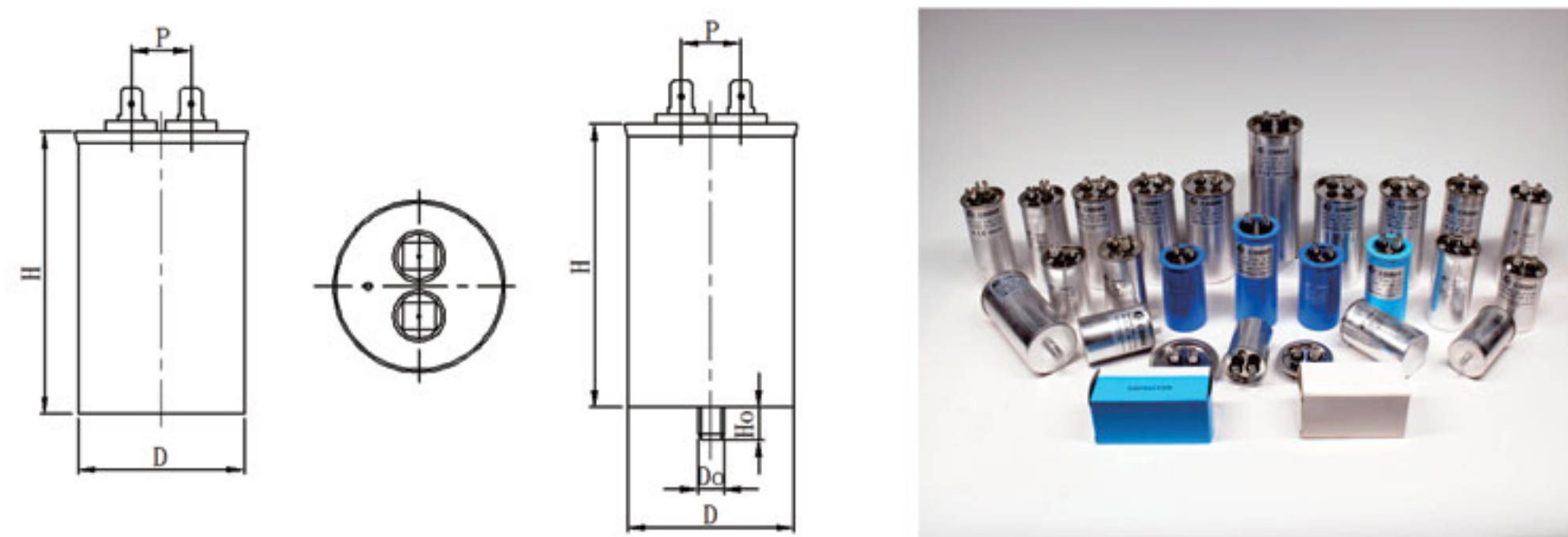
CBB65交流电动机电器 AC Motor Capacitor

特点与用途 Features and uses

该产品具有体积小、重量轻、损耗低、绝缘电阻高、自愈性良好、耐电流冲击大、过载能力强、性能稳定等优点，内部装有防爆装置，安全防护性能可靠。适用于空调器、冰箱、电机、压缩机等的启动与运行。

The capacitor has advantages of low dissipation, high insulation resistance, good self-healing character, anti-striking current, strong overcarrier capacity and steady electric performance, and reliable safety with inner anti-explosion device, etc. It is applied in air conditioning, refrigerator, motor, compressor, it is helpful for motor's starting and running.

外形图 Outline Drawing



技术要求 Specifications

引用标准 Reference standards	GB/T 3667.1 (IEC60252-1)
气候类别 Climatic category	40 / 70 / 21、40 / 85 / 21
运行等级 Class of operation	Class B (10000h) Class C (3000h)
安全防护等级 Class of safety protection	P2/P1
电压范围 Voltage range	200~500VAC
容量范围 Capacitance range	2~100 μ F
电容量偏差 Capacitance tolerance	± 5%、± 10%、± 15%
损耗角正切 Dissipation factor	20×10^{-4} (100Hz, 20°C)
端子间测试电压 Test voltage terminal to terminal U_{TT}	2 U_n for 2 seconds
端子与外壳间测试电压 Test voltage terminal to case U_{TC}	(2 U_n +1000)VAC or 2000VAC- 50Hz for 60 seconds
绝缘电阻 Insulation Resistance	≥3000s (100Hz, 20°C, 1min)

外形尺寸 Outline size

序号 NO.	产品规格 production specifications	端子 terminal	外壳尺寸 size
1	CBB65-450VAC 5 μ F ~9 μ F	2*4 或 2*2 插片	φ 40*60
2	CBB65-450VAC-10 μ F	2*4 或 2*2 插片	φ 40*60
3	CBB65-450VAC-12.5 μ F	2*4 或 2*2 插片	φ 40*70
4	CBB65-450VAC-15 μ F	2*4 或 2*2 插片	φ 45*70
5	CBB65-450VAC-20 μ F	2*4 或 2*2 插片	φ 50*75
6	CBB65-450VAC-25 μ F	2*4 或 2*2 插片	φ 50*85
7	CBB65-450VAC-30 μ F	2*4 或 2*2 插片	φ 50*100
8	CBB65-450VAC-35 μ F	2*4 或 2*2 插片	φ 50*100
9	CBB65-450VAC-40 μ F	2*4 或 2*2 插片	φ 50*100
10	CBB65-450VAC-45 μ F	2*4 或 2*2 插片	φ 50*100
11	CBB65-450VAC-50 μ F	2*4 或 2*2 插片	φ 50*125
12	CBB65-450VAC-55 μ F	2*4 或 2*2 插片	φ 50*125
13	CBB65-450VAC-60 μ F	2*4 或 2*2 插片	φ 50*125
14	CBB65-450VAC-65 μ F	2*4 或 2*2 插片	φ 55*125
15	CBB65-450VAC-70 μ F	2*4 或 2*2 插片	φ 55*125
16	CBB65-450VAC-80 μ F	2*4 或 2*2 插片	φ 60*125
17	CBB65-450VAC-90 μ F	2*4 或 2*2 插片	φ 60*125
18	CBB65-450VAC-100 μ F	2*4 或 2*2 插片	φ 63.5*125

注：表中以外的规格和尺寸、端子，可以商谈。

Note: Other specifications and size、terminal outside table are negotiable.

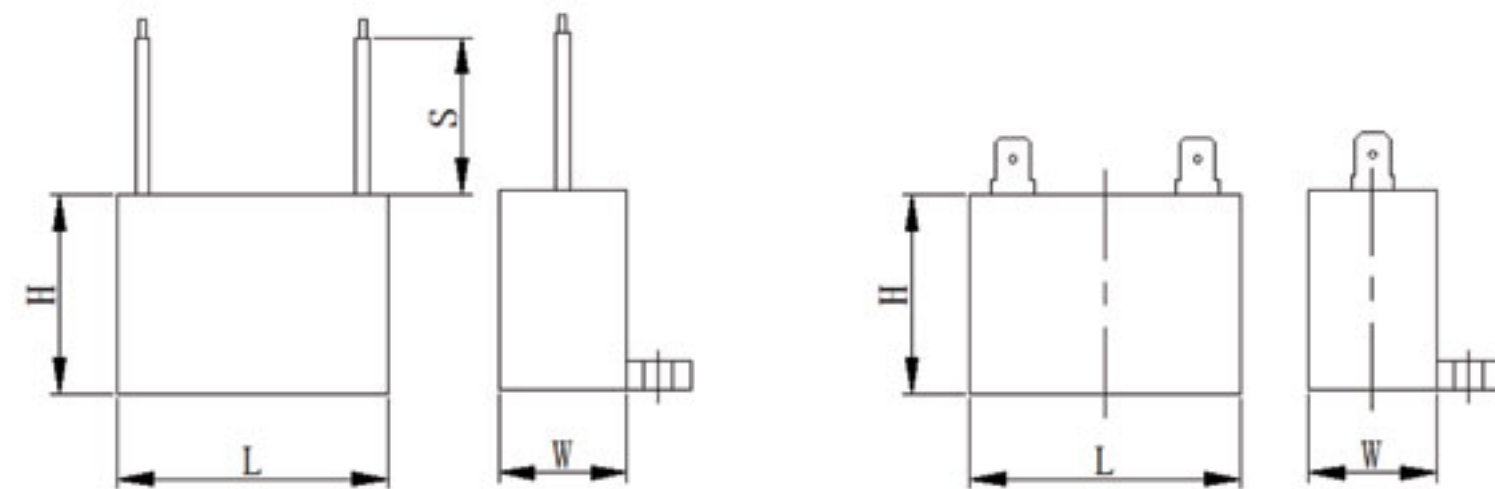
CBB61交流电动机电器 AC Motor Capacitor

特点与用途 Features and uses

该产品具有损耗小、绝缘电阻高、自愈性良好、耐冲击电流大、过载能力强、性能稳定等特点，一般采用矩形阻燃塑料外壳，环氧树脂全密封结构。适用于电风扇、电动水泵、电动缝纫机等，有助于电动机的启动与运行。

The capacitor has advantages of low dissipation, high insulation resistance, good self-healing character, anti-striking current, strong overcarrying capacity and steady electricity performance, etc. In generally, it uses rectangular flame retardant shell and epoxy resing to seal. It is applied in electric fan, exhaust fan, electric pump, and electric sewing machine, etc. It is helpful for motor's starting and running.

外形图 Outline Drawing



Insulated flexible brass wires
绝缘软铜线

Tabs
插片

技术要求 Specifications

引用标准 Reference standards	GB/T 3667.1 (IEC60252-1)
气候类别 Climatic category	40 / 70 / 21、40 / 85 / 21
运行等级 Class of operation	Class B (10000h) Class C (3000h)
安全防护等级 Class of safety protection	P0/P1/P2
电压范围 Voltage range	200~500VAC
容量范围 Capacitance range	1~35 μ F
电容量偏差 Capacitance tolerance	$\pm 5\%$ 、 $\pm 10\%$ 、 $\pm 15\%$
损耗角正切 Dissipation factor	20×10^{-4} (100Hz, 20°C)
端子间测试电压 Test voltage terminal to terminal U_{TT}	$2U_n$ for 2 seconds
端子与外壳间测试电压 Test voltage terminal to case U_{TC}	$(2U_n+1000)$ VAC or 2000VAC 50Hz for 60S
绝缘电阻 Insulation resistance	$\geq 3000s$ (100Hz, 20°C, 1min)

外形尺寸 Outline size

序号 NO.	产品规格 production specifications	450VAC	250VAC
1	CBB61-450VAC-1 μ F	37×13×23	37×13×23
2	CBB61-450VAC-1.2 μ F	37×13×23	37×13×23
3	CBB61-450VAC-1.5 μ F	37×14×25	37×13×23
4	CBB61-450VAC-2 μ F	37×16×28	37×13×23
5	CBB61-450VAC-2.5 μ F	37×18×28	37×14×25
6	CBB61-450VAC-3 μ F	47×18×29	37×14×25
7	CBB61-450VAC-3.5 μ F	47×18×34	37×16×28
8	CBB61-450VAC-4 μ F	47×18×34	37×16×28
9	CBB61-450VAC-4.5 μ F	47×22×34	37×16×28
10	CBB61-450VAC-5 μ F	47×22×34	37×18×28
11	CBB61-450VAC-5.5 μ F	47×22×34	37×18×28
12	CBB61-450VAC-6 μ F	47×22×34	47×18×29
13	CBB61-450VAC-6.5 μ F	48×26×38	47×18×29
14	CBB61-450VAC-7 μ F	48×26×38	47×18×29
15	CBB61-450VAC-8 μ F	48×26×38	47×18×34
16	CBB61-450VAC-10 μ F	58×26×44	47×22×34
17	CBB61-450VAC-12 μ F	58×26×44	47×22×34
18	CBB61-450VAC-15 μ F	58×26×44	47×22×34
19	CBB61-450VAC-16 μ F	58×26×44	48×26×38
20	CBB61-450VAC-20 μ F	58×35×49	48×26×38
21	CBB61-450VAC-25 μ F	58×35×49	48×26×38
22	CBB61-450VAC-30 μ F	商定 negotiable	58×26×44
23	CBB61-450VAC-35 μ F	商定 negotiable	58×26×44

注：表中以外的规格和尺寸、端子，可以商谈。

Note: Other specifications and size、terminal outside table are negotiable.

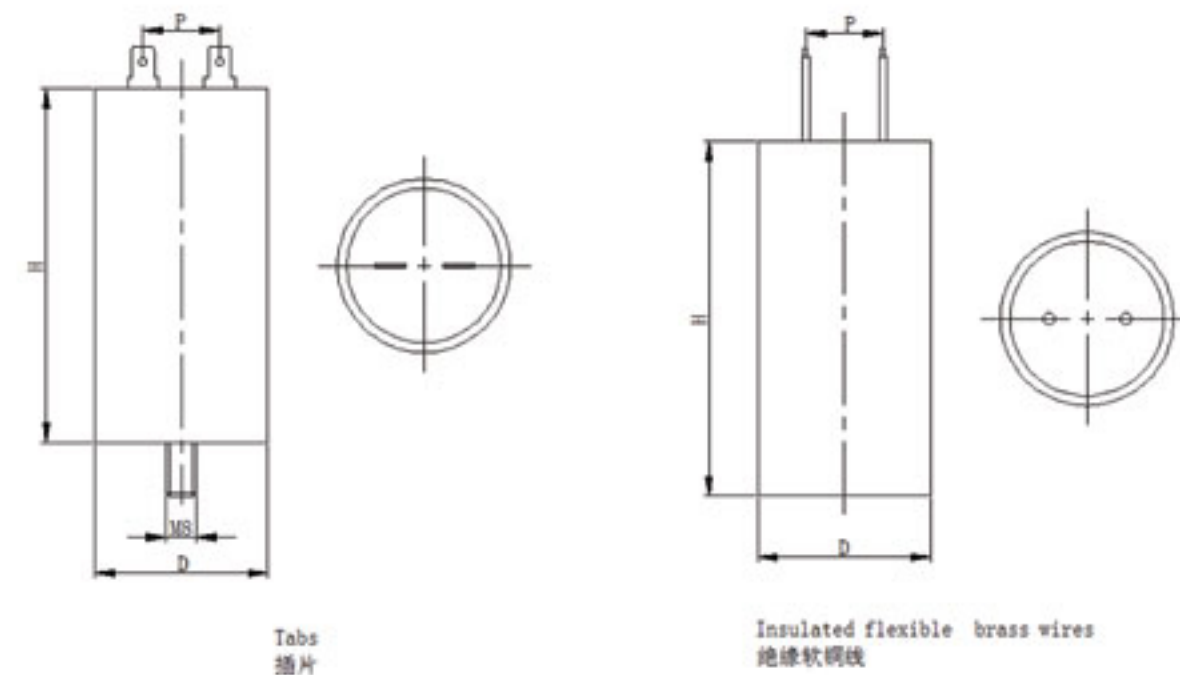
CBB60交流电动机器 AC Motor Capacitor

特点与用途 Features and uses

该产品具有损耗小、绝缘电阻高、自愈性良好、耐冲击电流大、过载能力强、性能稳定等特点。适用于洗衣机、分马力电机、水泵等，有助于电动机的启动与运行。

The capacitor has advantages of low dissipation, high insulation resistance, good self-healing character, steady performance, resistance flowing current and high carrying capability etc. It is suitable for washers and detached horse-power motor, pump and beneficial to the starting and running of motors.

外形图 Outline Drawing



技术要求 Specifications

引用标准 Reference standards	GB/T 3667.1 (IEC60252-1)
气候类别 Climatic category	40 / 70 / 21、40 / 85 / 21
运行等级 Class of operation	Class B (10000h) Class C (3000h)
安全防护等级 Class of safety protection	P0
电压范围 Voltage range	200~500VAC
容量范围 Capacitance range	1~60 μ F
电容量偏差 Capacitance tolerance	± 5% 、 ± 10%、 ± 15%
损耗角正切 Dissipation factor	20 x10 ⁻⁴ (100Hz, 20°C)
端子间测试电压 Test voltage terminal to terminal U _{TT}	2Un for 2 seconds
端子与外壳间测试电压 Test voltage terminal to case U _{TC}	(2Un+1000)VAC or 2000VAC- 50Hz for 60S
绝缘电阻 Insulation resistance	≥3000s (100Hz, 20°C, 1min)

外形尺寸 Outline size

规格 Specifications	常规型 Routine		加螺杆或插片 with screws or pins	
	450VAC	250VAC	450VAC	250VAC
1 μF	φ 26*52	φ 26*52	φ 30*52	φ 30*52
2 μF	φ 26*52	φ 26*52	φ 30*52	φ 30*52
2.5 μF	φ 26*52	φ 26*52	φ 30*52	φ 30*52
3 μF	φ 26*52	φ 26*52	φ 30*52	φ 30*52
3.5 μF	φ 26*52	φ 26*52	φ 30*59	φ 30*52
4 μF	φ 28.5*55	φ 26*52	φ 35*62	φ 30*52
4.5 μF	φ 28.5*55	φ 26*52	φ 35*62	φ 30*52
5 μF	φ 28.5*55	φ 26*52	φ 35*62	φ 30*52
5.5 μF	φ 34*62	φ 26*52	φ 35*62	φ 30*52
6 μF	φ 34*62	φ 26*52	φ 35*62	φ 30*52
6.5 μF	φ 34*62	φ 26*52	φ 35*62	φ 30*52
7 μF	φ 34*62	φ 26*52	φ 35*62	φ 30*52
8 μF	φ 34*62	φ 26*52	φ 35*62	φ 30*52
9 μF	φ 34*62	φ 26*52	φ 35*62	φ 30*52
10 μF	φ 34*62	φ 26*52	φ 35*72	φ 30*52
12 μF	φ 37*73	φ 26*52	φ 35*72	φ 30*61
14 μF	φ 37*73	φ 34*62	φ 40*72	φ 30*61
15 μF	φ 37*73	φ 34*62	φ 40*72	φ 30*61
16 μF	φ 37*73	φ 34*62	φ 40*72	φ 30*61
18 μF	φ 37*73	φ 34*62	φ 40*72	φ 35*67
20 μF	φ 40*72	φ 34*62	φ 40*72	φ 35*67
25 μF	φ 42*80	φ 42*62	φ 40*72	φ 35*67
30 μF	φ 42*90	φ 40*72	φ 45*95	φ 40*72
35 μF	φ 45*90	φ 40*72	φ 45*95	φ 40*72
40 μF	φ 50*100	φ 42*90	φ 50*110	φ 40*97
45 μF	φ 50*100	φ 42*90	φ 50*110	φ 40*97
50 μF	φ 50*100	φ 42*90	φ 50*120	φ 40*97
60 μF	φ 50*115	φ 42*90	φ 50*120	φ 40*97

注：表中以外的规格和尺寸、端子，可以商谈。

Note: Other specifications and size、terminal outside table are negotiable.

光伏风电圆柱直流滤波电容器

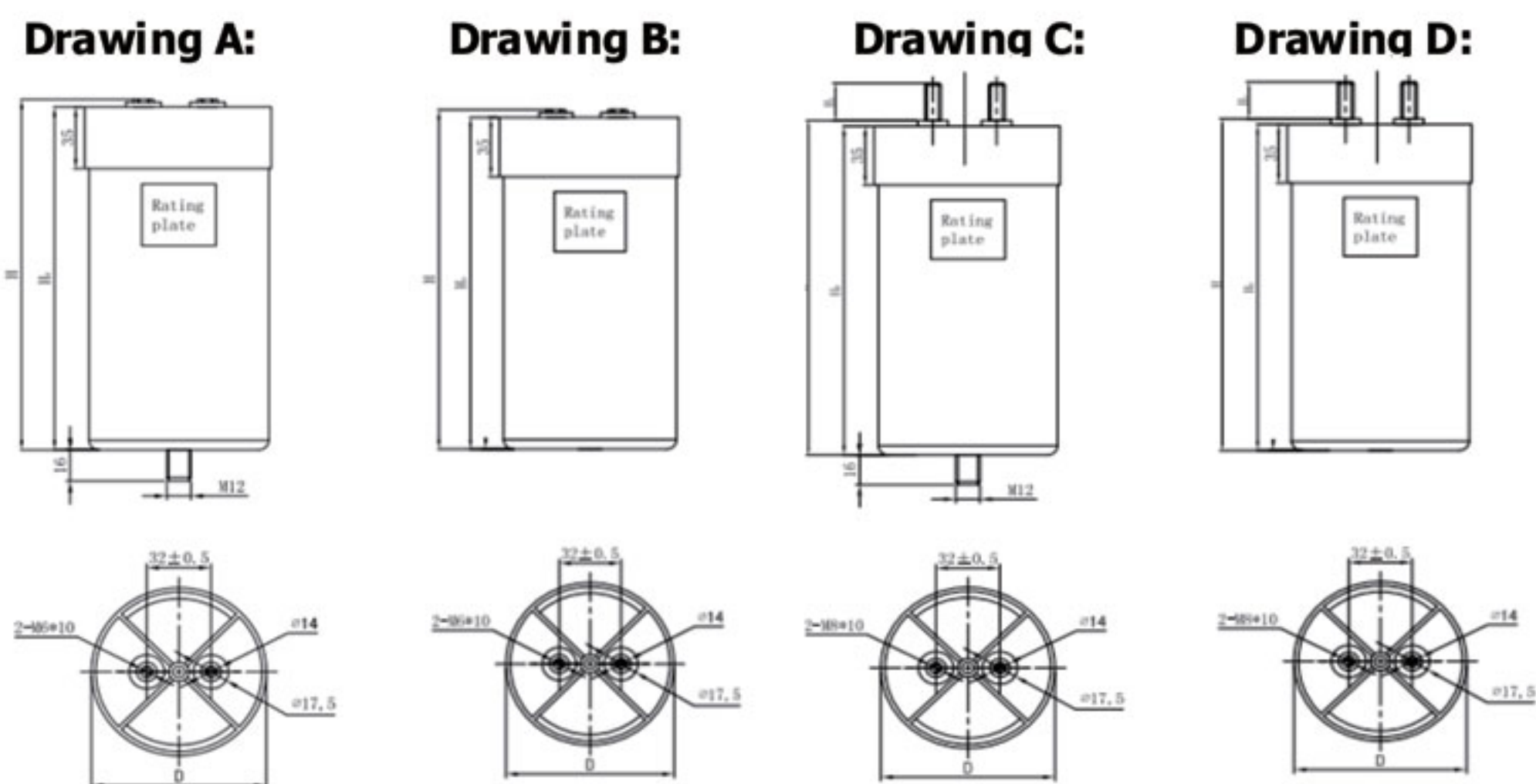
DC-LINK Capacitor(photovoltaic wind power cylinder)

特点与用途 Features and uses

该产品应用于直流滤波电路中，可替代电解电容，完全取代进口产品。等效串联电阻小，能承受较大的纹波电流；自感小，有自愈性，寿命长。

Used in DC-link circuits,can replace electrolytic capacitor,completely replace the imported products; Low ESR,high ripple current handling capabilities. Low inductance,self-healing property,Long lifetime.

外形图 Outline Drawing



应用场合 Application

风力发电变频器,太阳能光伏发电逆变器、UPS电源或其它工业用变频器、以及高铁、动车牵引系统逆变器中的直流滤波电容。

Wind power converter,solar photovoltaic inverter,UPS power source,other industrial frequency converter,AS well as DC filter circuit in the high-speed rail,train traction system inverter.

技术参数 Technical specification

Cn (μ F)	Rs (m Ω)	I _{max} (A)	\hat{I} (KA)	W _N (Ws)	Ls (nH)	D x L (mm)	Drawing	m (Kg)	Order No.
Un 700VDC Us 1050v Ur 200V U t-t 1050 VDC Ut-c 3000 VAC									
370	2.1	40	2.0	86	50	Φ76 x 130	A、B、C、D	0.7	AG.H13 0K70-3706D76
440	1.8	40	2.3	103	50	Φ76 x 145	A、B、C、D	0.8	AG.H14 0K70-4406D76
470	1.7	55	2.5	110	40	Φ86x 130	A、B、C、D	0.9	AG.H13 0K70-4706D86
560	1.4	40	3.0	132	60	Φ76 x 181	A、B、C、D	1.0	AG.H18 0K70-5606D76
590	1.3	55	3.1	137	40	Φ86x 145	A、B、C、D	1.0	AG.H14 0K70-5906D86
730	1.1	55	3.9	171	50	Φ86x 181	A、B、C、D	1.2	AG.H18 0K70-7306D86
1030	1.0	55	5.1	252	70	Φ86x 225	A、B、C、D	1.5	AG.H22 0K70-1037D86
Cn (μ F)	Rs (m Ω)	I _{max} (A)	\hat{I} (KA)	W _N (Ws)	Ls (nH)	D x L (mm)	Drawing	m (Kg)	Order No.
Un 900VDC Us 1350v Ur 200V U t-t 1350 VDC Ut-c 3000 VAC									
350	2.1	40	2.0	148	50	Φ76 x 130	A、B、C、D	0.7	AG.H13 0K90-3506D76
410	1.2	40	2.3	178	50	Φ76 x 135	A、B、C、D	0.8	AG.H13 0K90-4106D76
470	1.0	55	2.5	191	40	Φ86x 135	A、B、C、D	0.9	AG.H13 0K90-4706D86
540	1.4	40	3.0	229	60	Φ76 x 181	A、B、C、D	1.0	AG.H18 0K90-5406D76
560	1.3	55	3.1	238	40	Φ86x 145	A、B、C、D	1.0	AG.H14 0K90-5606D86
700	1.1	55	3.9	297	50	Φ86x 181	A、B、C、D	1.2	AG.H18 0K90-7006D86
1020	1.0	60	5.1	413	70	Φ86x 225	A、B、C、D	1.5	AG.H22 0K90-1027D86

注：表中以外的规格和尺寸、端子，可以商谈。
Note: Other specifications and size、terminal outside table are negotiable.

技术参数 Technical specification

Un 1100VDC			Us 1650v		Ur 250V		U t-t 1650 VDC		Ut-c 3000 VAC	
240	3.3	50	1.5	170	50	Φ76 x 130	A、B、C、D	0.7	AG.H13 1K10-2406D76	
300	2.6	50	1.9	216	60	Φ76 x 145	A、B、C、D	0.8	AG.H14 1K10-3006D76	
320	2.4	65	2.0	232	40	Φ86x 130	A、B、C、D	0.9	AG.H13 1K10-3206D86	
380	2.2	50	2.3	270	60	Φ76 x 181	A、B、C、D	1.0	AG.H18 1K10-3806D76	
400	2.0	65	4.2	242	50	Φ86x 156	A、B、C、D	1.2	AG.H15 1K10-4006D86	
500	1.5	70	6.0	303	60	Φ86x 186	A、B、C、D	1.3	AG.H18 1K10-5006D86	
600	1.6	60	4.2	363	70	Φ86x 225	A、B、C、D	1.5	AG.H22 1K10-6006D86	
1200	0.9	100	7.8	726	80	Φ120x 230	A、B、C、D	2.5	AG.H23 1K10-1207D120	
Un 1200VDC			Us 1800v		Ur 250V		U t-t 1800 VDC		Ut-c 3000 VAC	
320	2.5	62	2.88	230	65	Φ76x 155	A、B、C、D	1.1	AG.H15 1K20-3206D76	
420	1.8	65	2.97	238	50	Φ86x 175	A、B、C、D	1.2	AG.H17 1K20-4206D86	
470	1.7	65	4.00	338	60	Φ86x 195	A、B、C、D	1.5	AG.H19 1K20-4706D86	
Un 1300VDC			Us 1950v		Ur 300V		U t-t 1950 VDC		Ut-c 3000 VAC	
160	2.1	40	1.8	138	50	Φ76 x 130	A、B、C、D	0.7	AG.H13 1K30-1606D76	
200	2.2	40	2.0	168	60	Φ76 x 145	A、B、C、D	0.8	AG.H14 1K30-2006D76	
220	2.0	50	2.2	185	40	Φ86x 130	A、B、C、D	0.9	AG.H13 1K30-2206D86	
250	2.1	40	2.4	208	60	Φ76 x 181	A、B、C、D	1.0	AG.H18 1K30-2506D76	
270	1.4	50	2.6	227	50	Φ86x 145	A、B、C、D	1.0	AG.H14 1K30-2706D86	
330	1.6	50	3.0	281	60	Φ86x 181	A、B、C、D	1.2	AG.H18 1K30-3306D86	
460	2.1	60	4.1	390	70	Φ86x 225	A、B、C、D	1.5	AG.H22 1K30-4606D86	

注：表中以外的规格和尺寸、端子，可以商谈。
 Note: Other specifications and size、terminal outside table are negotiable.

技术参数 Technical specification

Cn (μF)	Rs (mΩ)	I _{max} (A)	İ (KA)	W _N (Ws)	Ls (nH)	Dx L (mm)	Drawing	m (Kg)	Order No.
Un 1500VDC			Us 2250v		Ur 300V		U t-t 2250 VDC		Ut-c 3000 VAC
110	2.1	35	1.6	133	50	Φ76 x 130	A、B、C、D	0.7	AG.H13 1K50-1106D76
140	2.2	35	2.0	159	60	Φ76 x 145	A、B、C、D	0.8	AG.H14 1K50-1406D76
150	1.8	45	2.2	174	40	Φ86x 130	A、B、C、D	0.9	AG.H13 1K50-1506D86
190	1.7	35	2.8	217	60	Φ76 x 181	A、B、C、D	1.0	AG.H18 1K50-1906D76
250	1.3	45	3.5	278	50	Φ86x 181	A、B、C、D	1.2	AG.H18 1K50-2506D86
345	1.9	60	5.0	389	70	Φ86x 225	A、B、C、D	1.5	AG.H22 1K50-3456D86
Un 1800VDC			Us 2700v		Ur 400V		U t-t 2700 VDC		Ut-c 3000 VAC
120	1.6	50	1.8	198	50	Φ86 x 130	A、B、C、D	0.9	AG.H13 1K80-1206D86
140	2.0	40	2.0	226	60	Φ76 x 181	A、B、C、D	0.9	AG.H18 1K80-1406D76
185	1.4	50	2.5	299	60	Φ86 x 181	A、B、C、D	1.2	AG.H18 1K80-1856D86
260	2.4	60	3.0	424	70	Φ86 x 225	A、B、C、D	1.5	AG.H22 1K80-2606D86
Un 2200VDC			Us 3200v		Ur 500V		U t-t 3200 VDC		Ut-c 4000 VAC
75	1.4	50	2.2	222	50	Φ86 x 130	A、B、C、D	0.9	AG.H13 2K20-7505D86
90	2.0	40	3.2	260	60	Φ76 x 181	A、B、C、D	1.0	AG.H18 2K20-9005D76
120	1.2	50	3.5	346	60	Φ86 x 181	A、B、C、D	1.2	AG.H18 2K20-1206D86
165	1.9	60	4.5	477	70	Φ86 x 225	A、B、C、D	1.5	AG.H22 2K20-1656D86
Un 2600VDC			Us 4000v		Ur 700V		U t-t 4000 VDC		Ut-c 4500 VAC
50	1.4	50	1.6	181	50	Φ86 x 130	A、B、C、D	0.9	AG.H13 2K60-5005D86
65	1.5	40	2.0	218	60	Φ76 x 181	A、B、C、D	1.0	AG.H18 2K60-6505D76
80	1.2	50	2.5	283	60	Φ86 x 181	A、B、C、D	1.2	AG.H18 2K60-8005D86
115	2.0	60	3.3	392	70	Φ86 x 225	A、B、C、D	1.5	AG.H22 2K60-1156D86

注：表中以外的规格和尺寸、端子，可以商谈。
 Note: Other specifications and size、terminal outside table are negotiable.

CBB15、CBB16 逆变焊机直流滤波电容器

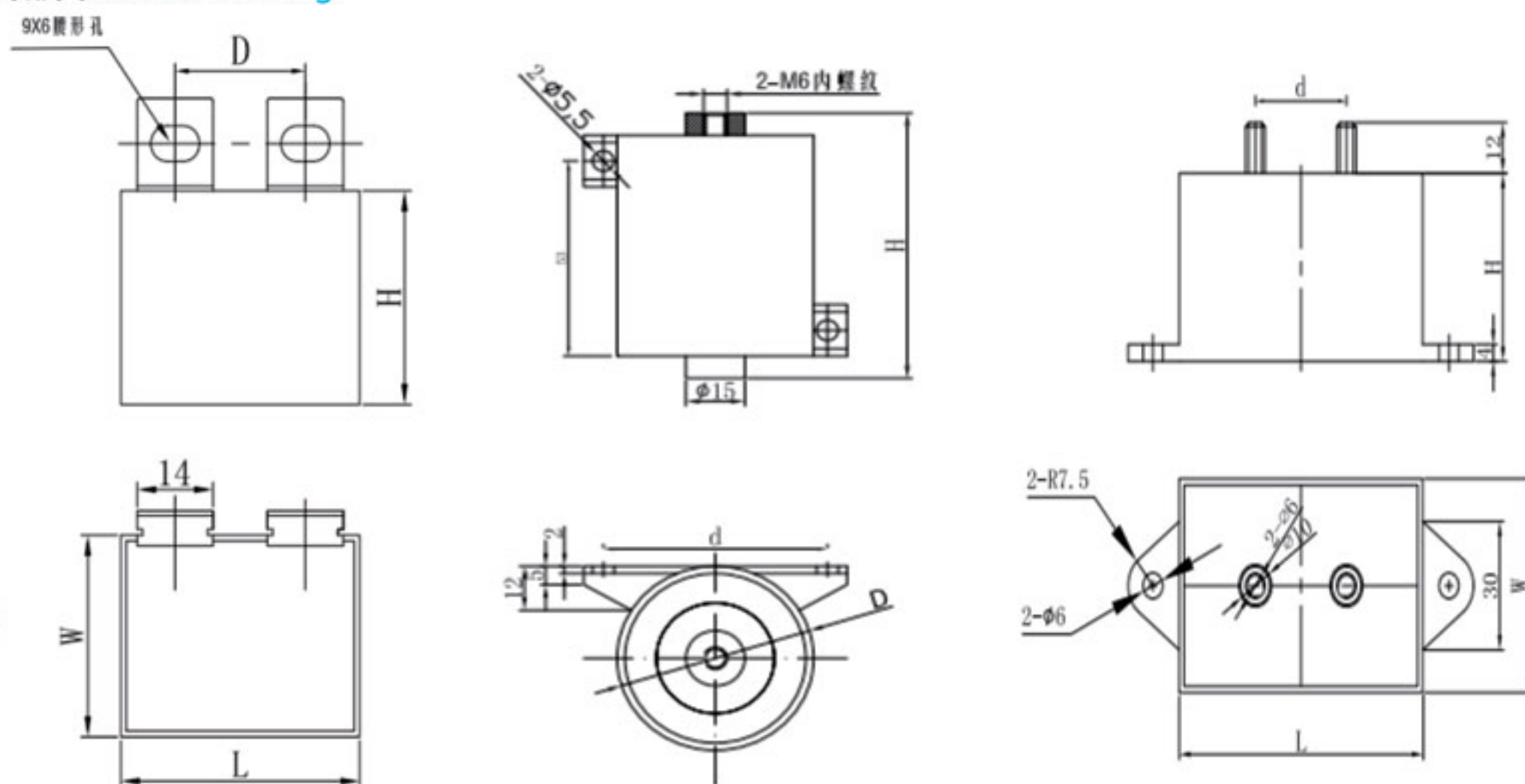
CBB15、CBB16 Welding inverter DC filter capacitor

特点与用途 Features and uses

该产品应用于大功率高频开关电源中高频脉冲电流吸收、滤波,等效串联电阻小,能承受较大的纹波电流和大电流冲击自感小,高频特性好,有自愈性,寿命长,塑料外壳,树脂灌封。

Used in high-power high-frequency switching power supply for high-frequency pulse current absorption, filter; Low ESR, high ripple current and large current shock handling capabilities; Low Ls, good high frequency characteristics, Self-healing property, Long lifetime, Plastic case, resin filled.

外形图 Outline Drawing



应用场合 Application

特点与用途 Features and uses

该产品应用于风能发电、太阳能发电用或其它工业用变频器、直流支撑滤波电路。

Used in wind power, solar power or other industrial frequency converters; Used in DC support filter circuit

技术参数 Technical specification

Cn (μF)	Un (V)	Imax (A)	dv/dt (V/μs)	Ls (nH)	U _{t-t} (V)	U _{t-c} (V)	tg δ (20°C, 10kHz)	Size (mm)
CBB15(ZRPEC)								
0.47	1200VDC	7	1200	≤10	1800V, 10S	3000VAC, 60S	≤10×10 ⁻⁴	46×18×34
1	1200VDC	15	1200	≤10	1800V, 10S	3000VAC, 60S	≤10×10 ⁻⁴	46×34×36
2	1200VDC	25	1200	≤10	1800V, 10S	3000VAC, 60S	≤10×10 ⁻⁴	50×46×50
3	1200VDC	35	1200	≤10	1800V, 10S	3000VAC, 60S	≤10×10 ⁻⁴	50×46×50
30	1250VDC	30	200	≤10	1800V, 10S	3000VAC, 60S	≤100×10 ⁻⁴	74×46×49
40	1250VDC	40	200	≤10	1800V, 10S	3000VAC, 60S	≤100×10 ⁻⁴	75×50×44
CBB16(ZRPEC)								
2	500VAC	25	1200	≤10	1800V, 10S	3000VAC, 60S	≤10×10 ⁻⁴	φ63×49
3	500VAC	35	1200	≤10	1800V, 10S	3000VAC, 60S	≤10×10 ⁻⁴	φ63×49
4	500VAC	50	1200	≤10	1800V, 10S	3000VAC, 60S	≤10×10 ⁻⁴	φ63×49
5	500VAC	60	1300	≤10	1800V, 10S	3000VAC, 60S	≤10×10 ⁻⁴	φ63×49
6	500VAC	80	1400	≤10	1800V, 10S	3000VAC, 60S	≤10×10 ⁻⁴	φ76×49
10	1400VDC	18	200	≤10	1800V, 10S	3000VAC, 60S	≤30×10 ⁻⁴	φ50×60
20	1400VDC	35	200	≤10	1800V, 10S	3000VAC, 60S	≤50×10 ⁻⁴	φ50×60
50	350VAC	35	200	≤10	600V, 10S	3000VAC, 60S	≤55×10 ⁻⁴	φ50×60

注：表中以外的规格和尺寸、端子，可以商谈。

Note: Other specifications and size, terminal outside table are negotiable.



储能脉冲直流滤波电容器

Energy storage , Pulsed , DC-Link Filter Capacitor

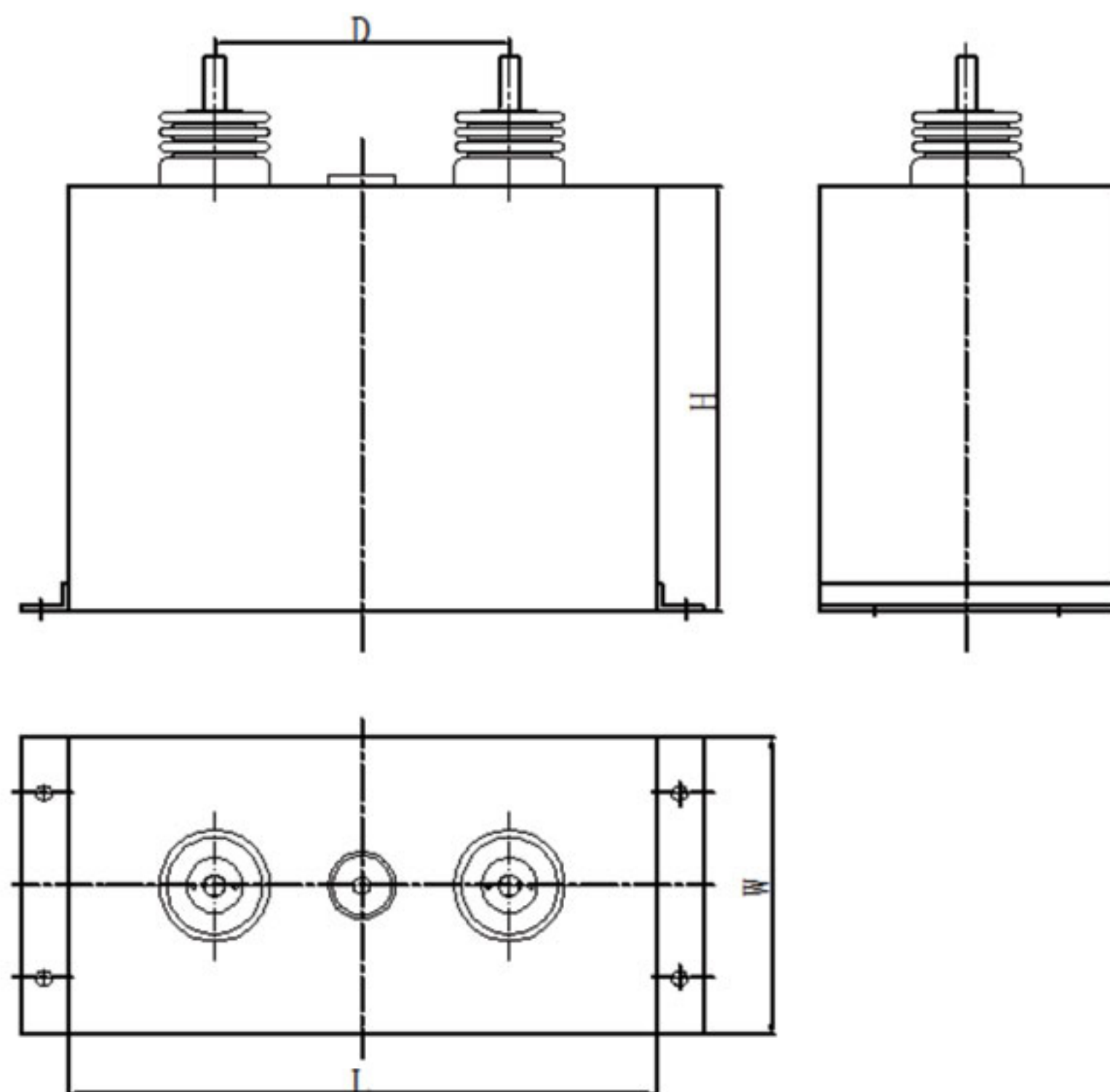
特点与用途 Features and uses

该产品高比能密度, 电容器储能强, 等效串联电阻小, 能承受较大的纹波电流和大峰值电流冲击, 自感低, dv/dt 大, 频率特性好; 有自愈性, 寿命长, $lifetime \geq 10$ 万小时; 高真空注油, 散热性好, 电容器性能稳定可靠。

High specific energy density, strong energy storage of the capacitors; Low ESR, high ripple current and large peak current shock handling capabilities, Low inductance, large dv/dt , good frequency characteristics.

Self-healing property; Long lifetime ($\geq 100,000$ h); High vacuum oiling, good heat dissipation, stable and reliable performance of the capacitors

外形图 Outline Drawing



应用场合 Application

特点与用途 Features and uses

该产品应用于用于轨道交通牵引或船舶驱动变频器; 用于各类大功率工业逆变器, 如高压变频传动装置。

用于电网谐波治理、SVG设备

Used in rail transit traction or ship drive converter; Used in various high-power industrial inverters, such as high-voltage variable frequency drive device; Used in power harmonic governance and SVG equipment.

技术参数 Technical specification

序号 NO.	额定电压 Un VDC	额定容量 Cn μ F	外壳尺寸 Size (mm)	有效电流 In (A)	序号	额定电压 Un VDC	额定容量 Cn μ F	外壳尺寸 Size (mm)	有效电流 In (A)
1	1000	500	180*100*160	50	21	1600	400	240*120*160	45
2	1000	1000	230*100*210	95	22	1600	800	240*120*270	87
3	1000	1500	250*120*220	108	23	1600	1200	340*120*270	130
4	1000	2000	250*120*270	144	24	1600	2400	340*120*480	263
5	1000	2400	300*120*270	173	25	1800	1000	320*120*290	122
6	1000	3000	300*120*325	217	26	1800	2000	320*120*530	220
7	1000	3500	340*120*320	250	27	2000	500	320*120*230	75
8	1000	5000	350*120*430	358	28	2000	1000	320*120*410	150
9	1200	400	175*120*150	33	29	2000	2000	320*120*530	300
10	1200	1000	230*120*210	83	30	2500	250	230*120*210	40
11	1200	1500	320*120*230	127	31	2500	500	310*120*290	80
12	1200	2000	340*120*265	166	32	2500	1000	340*120*480	166
13	1200	2500	320*120*340	200	33	3000	250	230*120*260	48
14	1200	4000	340*120*480	330	34	3000	500	350*120*325	96
15	1500	500	230*120*160	48	35	3000	1000	350*120*600	190
16	1500	1000	300*120*215	95	36	3500	250	350*120*270	60
17	1500	1500	340*120*260	144	37	3500	500	350*120*490	120
18	1500	2000	350*120*325	192	38	4000	250	380*120*350	75
19	1500	2500	360*120*390	240	39	4000	500	380*120*650	150
20	1500	3200	350*120*490	308	40	5000	200	350*120*375	65

注: 表中以外的规格和尺寸、端子, 可以商谈。

Note: Other specifications and size, terminal outside table are negotiable.



产品编码说明 Part Number System



技术与性能特性 TECHNOLOGY AND PERFORMANCE CHARACTERISTICS

标准Reference standards	IEC 61071、 IEC61881
运行温度 (热点温度)Operating Temperature (hot spot)	-40°C to +70°C
存储温度Storage temperature	-40°C to +85°C
热点温度 $\Theta_{HOTSPOT}$	+70°C(oil)、+85°C(dry)
电容器公差capacitance tolerance	± 5% or ± 10%
损耗tan δ	3×10^{-3} (100Hz, 20°C)
端子间测试电压test voltage terminal to terminal U_{TT}	(1.3~1.5) U_n for 10 seconds
端子与外壳间测试电压test voltage terminal to case U_{TC}	(2 U_n +1000)VAC - 50Hz for 60 seconds
允许的相对湿度Permissible relative humidity	年平均湿度75%, 30天/年 75%Annual average \leq on 30 days/ year
气候类别IEC climatic category IEC	40 / 85 / 21
在-25°C to +70°C温度下工作时允许容量变化值 Capacitance deviation in the operating temperature range of -25°C to +70°C	最大偏差±1.5%相对于20°C 测量值 ±1.5% max on capacitance value measured at +20°C
外壳成分Case components	铝外壳、塑料外壳、 304 不锈钢外壳 Aluminium、 plastic、 304 stainless steel
端子Terminals	镀锡铜螺杆Tinned brass fastons or screws
安装位置Installation	任意位置Whatever Position
预期寿命Life expectancy	\geq 100.000 hours at U_n
失效率Failure rate	50 FIT
推荐的连接扭矩Recommended torque for screw connections	内螺纹 Internal thread M6-3Nm, M8-6Nm

三相交流滤波电容器

Three phase AC filter capacitor



Urms:450V Un:640V

Model	3*Cn μF	Us V	I _{max} Arms	I _{pk} A	RS M Ω	R _{th} °C/W	D Mm	H Mm	Weight G	PCS /Box	BOX dimensions
MKP-3PX-35-45	3*35	1350	15	1000	1.44	11.2	75	208	950	5	370*370*106
MKP-3PX-45-45	3*45	1350	18	1300	1.22	8.6	85	208	1250	4	370*370*106
MKP-3PX-50-45	3*50	1350	18	1450	1.16	8.6	85	208	1250	4	370*370*106
MKP-3PX-65-45	3*65	1350	28	1850	0.84	5.6	100	208	1650	3	370*370*106
MKP-3PX-75-45	3*75	1350	26	2150	0.78	5.6	100	208	1750	3	370*370*106
MKP-3PX-90-45	3*90	1350	40	2550	0.72	3.6	116	208	2250	3	370*370*125

Urms:600V Un:850V

Model	3*Cn μF	Us V	I _{max} Arms	I _{pk} A	RS M Ω	R _{th} °C/W	D Mm	H Mm	Weight G	PCS /Box	BOX dimensions
MKP-3PX-20-60	3*20	1800	13	750	1.75	11.2	75	208	950	5	370*370*106
MKP-3PX-30-60	3*30	1800	15	1100	1.33	8.6	85	208	1250	4	370*370*106
MKP-3PX-45-60	3*45	1800	23	1600	0.90	5.6	100	208	1750	3	370*370*106
MKP-3PX-55-60	3*55	1800	36	1950	0.80	3.6	116	208	2250	3	370*370*125
MKP-3PX-68-60	3*68	1800	32	2450	0.74	3.6	116	208	2350	3	370*370*125

Urms:760V Un:1080V

Model	3*Cn μF	Us V	I _{max} Arms	I _{pk} A	RS M Ω	R _{th} °C/W	D Mm	H Mm	Weight G	PCS /Box	BOX dimensions
MKP-3PX-10-76	3*10	2250	18	1150	1.17	11.2	75	208	950	5	370*370*106
MKP-3PX-14-76	3*14	2250	22	1600	0.97	8.6	85	208	1250	4	370*370*106
MKP-3PX-22-76	3*22	2250	33	2450	0.64	5.6	100	208	1750	3	370*370*106
MKP-3PX-30-76	3*30	2250	46	3350	0.60	3.6	116	208	2350	3	370*370*125
MKP-3PX-45-76	3*45	2250	53	5000	0.40	3.0	136	208	3250	2	370*370*161

Urms:600V Un:850V

Model	3*Cn μF	Us V	I _{max} Arms	I _{pk} A	RS M Ω	R _{th} °C/W	D Mm	H Mm	Weight G	PCS /Box	BOX dimensions
MKP-3PX-7.5-85	3*7.5	2250	18	960	1.25	11.2	75	208	950	5	370*370*106
MKP-3PX-11-85	3*11	2250	22	1450	1.00	8.6	85	208	1250	4	370*370*106
MKP-3PX-16-85	3*16	2250	33	2050	0.70	5.6	100	208	1750	3	370*370*106
MKP-3PX-24-85	3*24	2250	45	3050	0.60	3.6	116	208	2350	3	370*370*125

注：表中以外的规格和尺寸、端子，可以商谈。

Note: Other specifications and size、terminal outside table are negotiable.

BSMJ、BLMJ、BZMJ系列自愈式低压并联电容器

BSMJ、BLMJ、BZMJ series self-healing type low voltage parallel capacitor

概述 Overview

自愈式低电压并联电容器适用于额定电压1200V及以下工频交流电力系统中,以提高功率因素,减少无功损耗,改善电压质量之用。1.具有绝缘自愈机能,且采用耐电压及电性好的金属化塑料膜(MPP)为介质,如发生介质破坏时,立刻恢复绝缘,使电容器恢复正常并继续运转,达到绝缘自愈机能。2.介质损失小,温升低且寿命长。3.符合GB、JIS、IEC标准。

Self-healing type low voltage parallel capacitor applies to the rated voltage 1200v and below industrial frequency exchange in power system, in order to improve the power factor, reduce reactive power loss, improve the quality of voltage purpose. 1. with insulated self-healing function and adopted withstand voltage and electrical good metallized plastic(MPP) as medium, if medium destroy immediately restore the insulation, then the capacitor back to normal and continue to operate to achieve insulation self-healing abilities. 2. small medium loss, low temperature and long service life. 3. complies with the standards of GB, JIS, IEC.

主要技术指标 Key technical indexes

- 工作条件:环境温度 $-25^{\circ}\text{C}\sim+50^{\circ}\text{C}$,湿度 ≤ 85 ,海拔2000米以下;
Environmental temperature: $-25^{\circ}\text{C}\sim+50^{\circ}\text{C}$, humidity less than 85%, altituded below 2000 meters;
- 额定电压:120VAC, 230VAC, 400VAC, 450VAC, 525VAC, 690VAC, 750VAC, 1050VAC;
Rated voltage:120VAC~1050VAC
- 额定容量:1-80Kvar;
Rated capacity:1-80Kvar;
- 容量允许: $\pm 5\%$
Capacity allow: $\pm 5\%$
- 损耗角正切值:在工频额定电压下, 20°C 时 $\tan \delta \leq 0.1\%$;
Dissipation factor tangent value: under rated power-frequency voltage, when 20°C , $\tan \delta \leq 0.1\%$;
- 耐电压:极间2.15倍额定电压5秒钟,极壳间6KVAC可10秒钟;
Withstand voltage: extremely shell between 2.15 times rated voltage can be 5 seconds, extremely shell 6KVAC can be 10 seconds;
- 绝缘性:极壳间500DVC,1分钟, $R \geq 1000\text{M}\Omega$;
Insulation: extremely shell 500DVC, one minute, $R \geq 1000\text{M}\Omega$;
- 最高允许过电压:1.10倍额定电压;
Maximum permissible overvoltage: 1.10 times rated voltage;
- 最高允许过电流:1.30倍额定电流;
Maximum permissible over-current: 1.30 times rated current;
- 自放电特性:电容器断电后3分钟,剩余电压从1.14Un降至75V或更低;
Self-discharge characteristics: capacitor after power failure 3 minutes, resting voltage form 1.14Un down to 75V or lower.
- 符合标准:GB12747.1-2004, IEC60831-1996.
Complies with the standards: GB12747.1-2004, IEC60831-1996.

产品规格表 The product specification

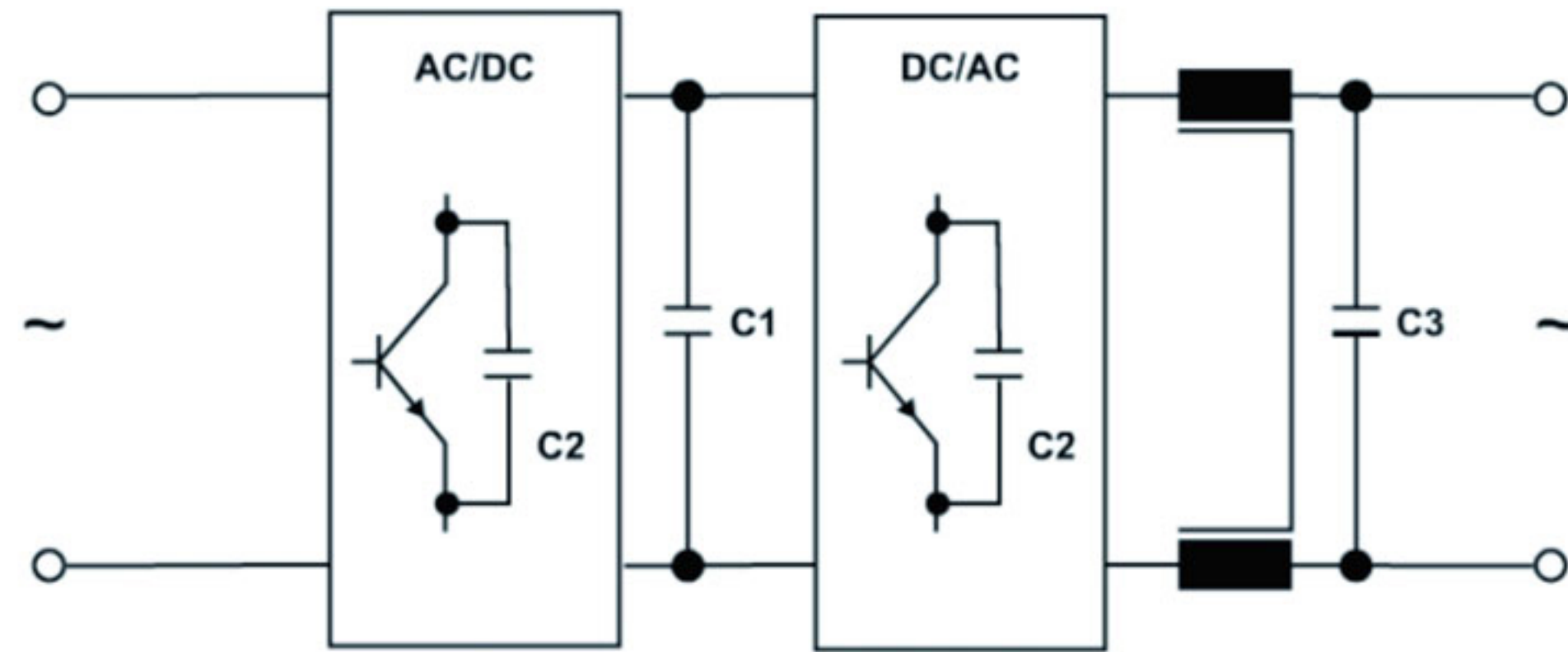
序号 NO.	产品型号及规格 Type and Specification	额定电压 Un (KV)	额定容量 Cn μF	额定频率 F (Hz)	额定电容 Cn μF	额定电流 In (A)	高度 H (mm)
1	BSMJ0.12-10-1	0.12	10	50	2211	83.3	220
2	BSMJ0.12-12-1	0.12	12	50	2654	100	260
3	BSMJ0.23-5-1	0.23	5	50	301	21.7	140
4	BSMJ0.23-10-1	0.23	10	50	602	43.4	220
5	BSMJ0.23-15-1	0.23	15	50	903	65.2	200
6	BSMJ0.23-30-1	0.23	30	50	1806	130.4	210
7	BSMJ0.4-20-3	0.4	20	50	398	28.9	220
8	BSMJ0.4-25-3	0.4	25	50	497	36.1	220
9	BSMJ0.4-30-3	0.4	30	50	597	43.3	270
10	BSMJ0.4-40-3	0.4	40	50	796	57.7	330
11	BSMJ0.4-50-3	0.4	50	50	995	72.2	330
12	BSMJ0.45-15-3	0.45	15	50	236	19.2	220
13	BSMJ0.45-20-3	0.45	20	50	314	25.7	200
14	BSMJ0.45-25-3	0.45	25	50	393	32.1	220
15	BSMJ0.45-30-3	0.45	30	50	472	38.5	250
16	BSMJ0.45-40-3	0.45	40	50	629	51.3	330

注:尾号"1"表示单相,"3"表示三相;本公司可根据客户的需求定做不同尺寸规格的产品。

Note: code "1" means single-phase, "3" means three-phase; The company can according to the Customer's requirement makes different sizes of products.



电容器应用指南 Application guide for capacitor



序号 NO.	功能 Function	产品系列 Product range
C1	直流滤波 DC Link	ZRPEC AG、ZRPEC PG
C2	IGBT 吸收 IGBT Snubber	CBB15、CBB16
C3	交流滤波 AC Filter	CBB65、CBB60、CBB61

公司荣誉和认证 Honor and Certificate



C 0102033

C 0102033