



Over 1,40,000
installations across
40 countries.

Always think ^{of} Positive

It always seems impossible until it is done. - Nelson Mandela



World's first & the only Installation in Siachen Glacier for Indian Army

We call it positivity. This belief drives us today and will do so for ever. 'Do it and prove' is the simple mantra of life at Positive Metering for last 25 years. Our innovative liquid dosing pump solutions have ensured that life flows uninterrupted.

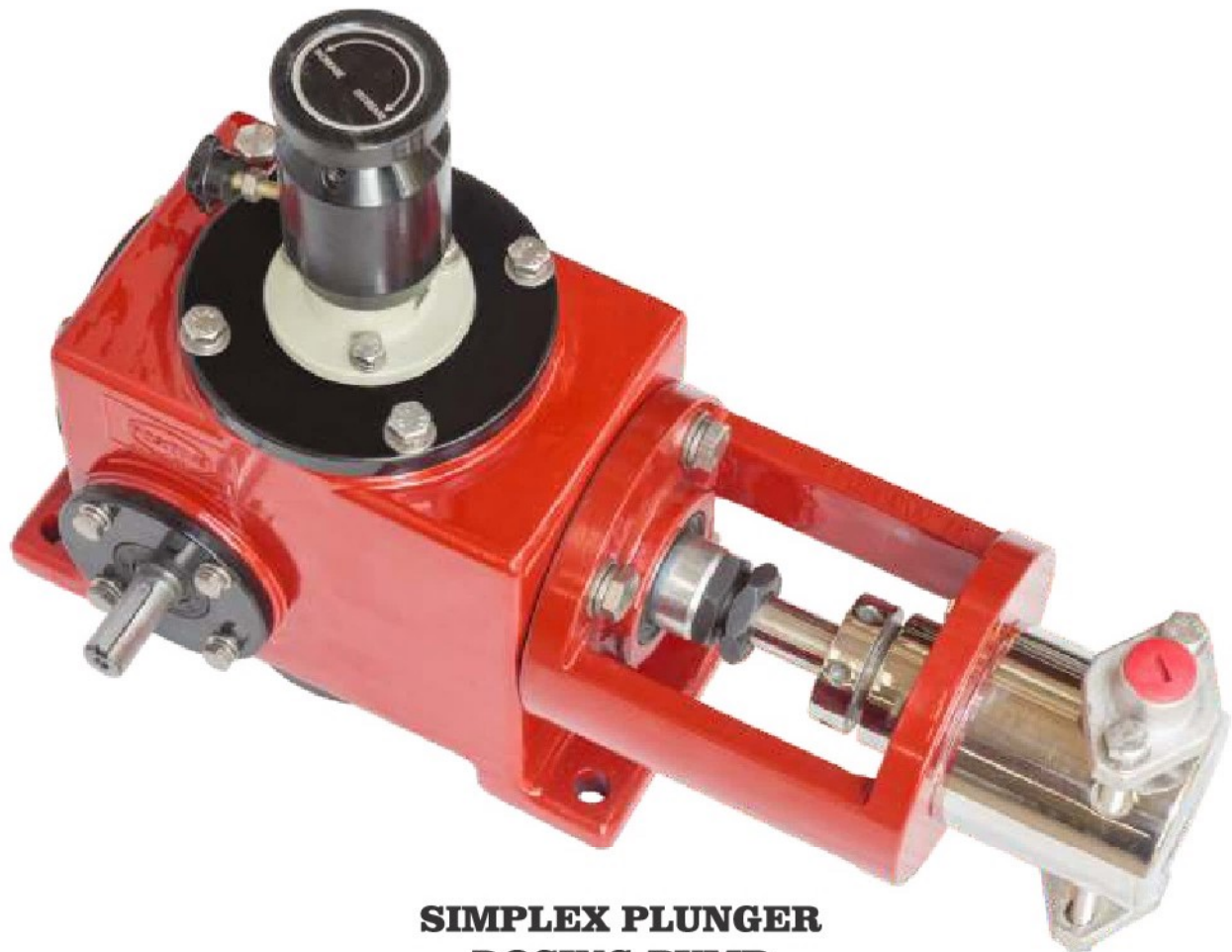
Bettering our own benchmarks is just another routine for us. With 3 state of the art, ISO 9001: 2015, ISO 14001: 2015 & ISO 45001: 2018 certified manufacturing units, we are the only liquid dosing pump manufacturer to have a captive fabrication unit for skids. One of the many steps to ensure that we deliver reliable solutions every day. Our customers agree.

Diverse innovative solutions for Reliance, Cairn Energy, ONGC, ABB, Doosan, Samsung, GE, L&T, Veolia, Sonatrach, Farabi, ThyssenKrupp, Linde, Glaxo, Aventis, Unilever, Nestle, NALCO, NPCIL, IOCL, HPCL, BPCL, Thermax, NTPC, EIL and many such well-established names in India & abroad have proven to be a case study, in innovation and reliability. We mention our association with Indian Army in Siachen with a special pride.

It is indeed our privilege to partner these pioneers in ensuring that life flows uninterrupted, across the globe.

Reliable Liquid Dosing Pump, Skid Mounted Packages, Mixers, Agitators, Transfer pumps for –

- Oil, Gas, Petrochemical Industries
- Food, Pharma, Dairy & Beverages
- Paper & Sugar Industries
- Mineral Ore Processing
- Environmental Protection
- Chemicals & Fertilizers
- Textile, Paint & Emulsion
- Power & Steel
- Water & Waste Water applications.



**SIMPLEX PLUNGER
DOSING PUMP**

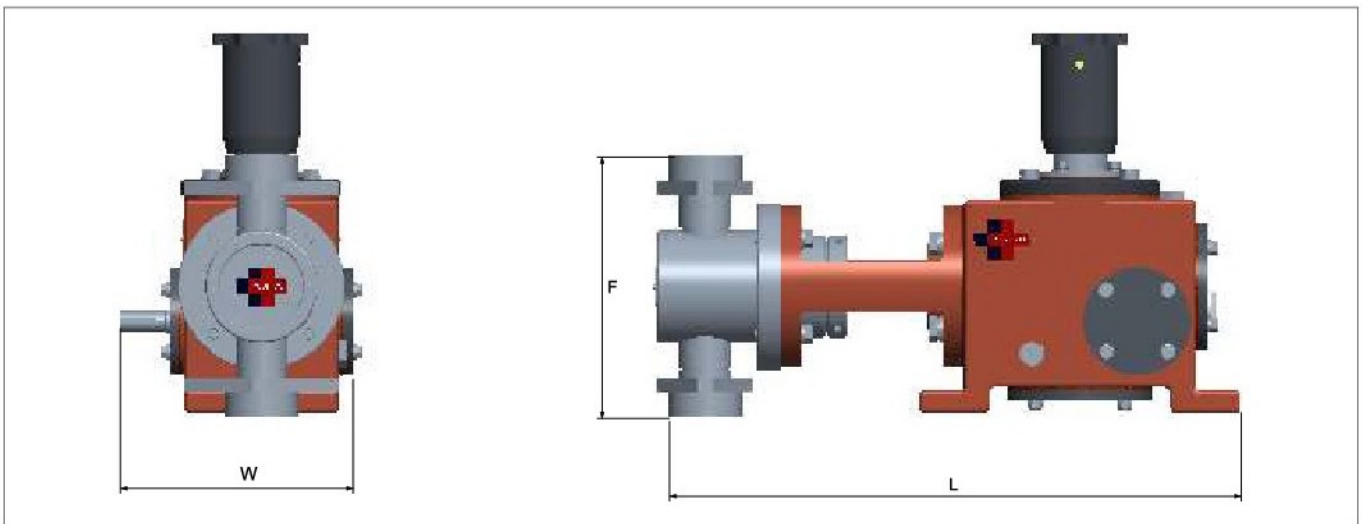


Positive Metering Pumps (I) Pvt. Ltd.

 +91 9552590845 chetanak@positivemetering.com

www.positivemetering.com

SIMPLEX PLUNGER DOSING PUMP (PL SERIES) API 675



Features:

- Plunger Type Dosing Pump with Gland Packing
- Precise metering devices
- Metering accuracy is almost independent of back pressure
- Flow rate is linear to stroke length variations
- External arrangement for flushing the gland packing (Optional)

Material Of Construction Offered:

- SS304, SS304L, SS316, SS316L
- Gland Sealing - PTFE
- Hastalloy B/C
- Any other special alloy
- Alloy 20
- Carbon Steel

Options:

- Multiple heads with identical or different outputs, for each head using single drive.
- Jacketed Head for Heating or Cooling the liquid being pumped
- Automatic flow variation by receiving 4-20 mA signal from the process.

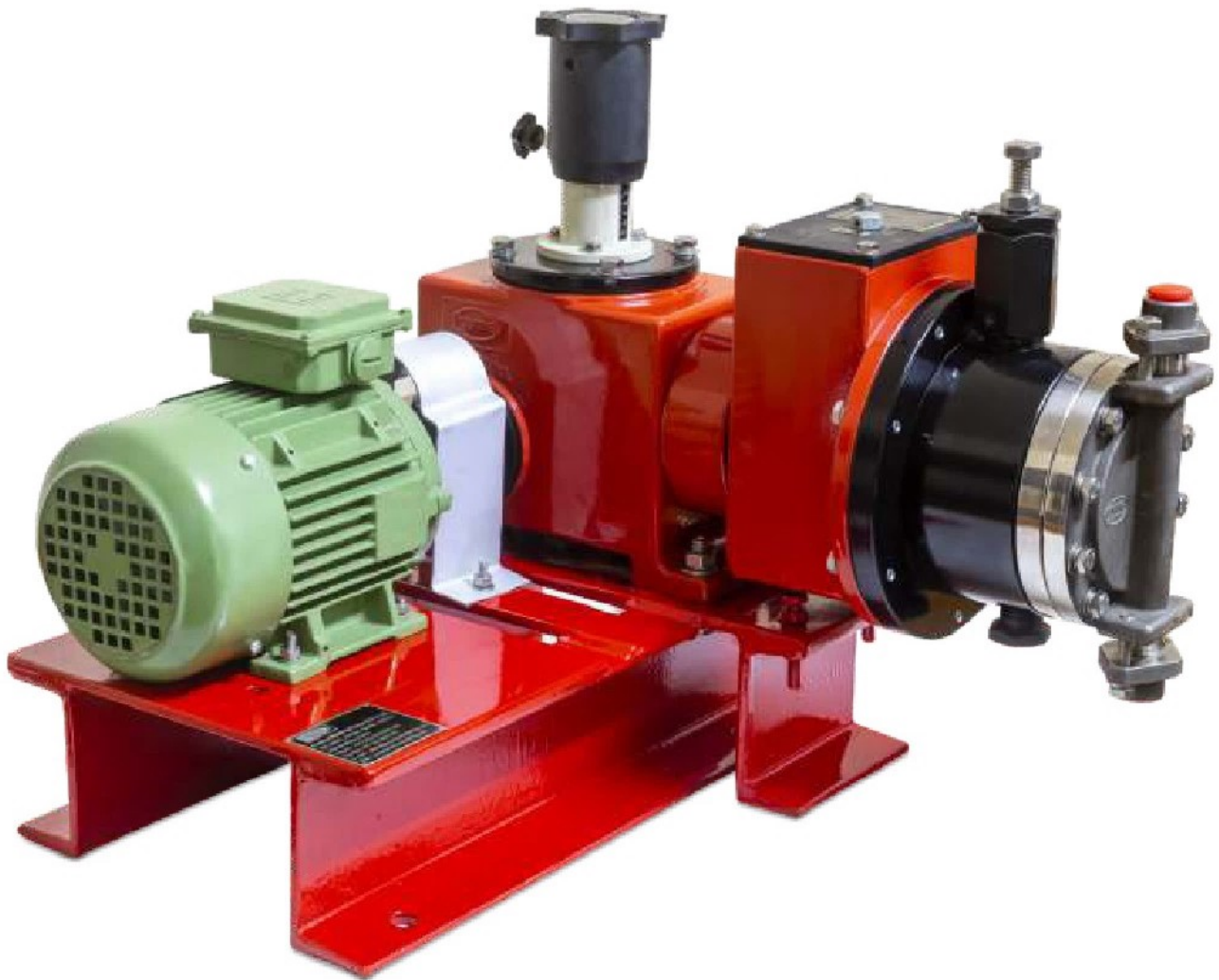
Technical Specifications*

Flow Rate Ltr. /Hr. Max	Pressure Bar (g) Max.	Pump Model	Installation Dimensions		
			L mm	W mm	F mm
0 – 160	94	PL 1011	400	360	170
0 – 830	100	PL 2017	420	400	210
0 – 4275	250	PL 3530	600	555	250
0 – 7332	366	PL 6040	800	785	350

List of Accessories

- Stainer
- Pressure Relief Valve
- Calibration Pot
- Pulsation Dampaner
- Auto Stroke Actuator
- Local Control Panel
- Level Gauge

* Table given is for reference only and selection shall be done by PMPIPL on case to case basis.
F/MKT/08/Rev.04



**HYDRAULIC DIAPHRAGM
DOSING PUMP**

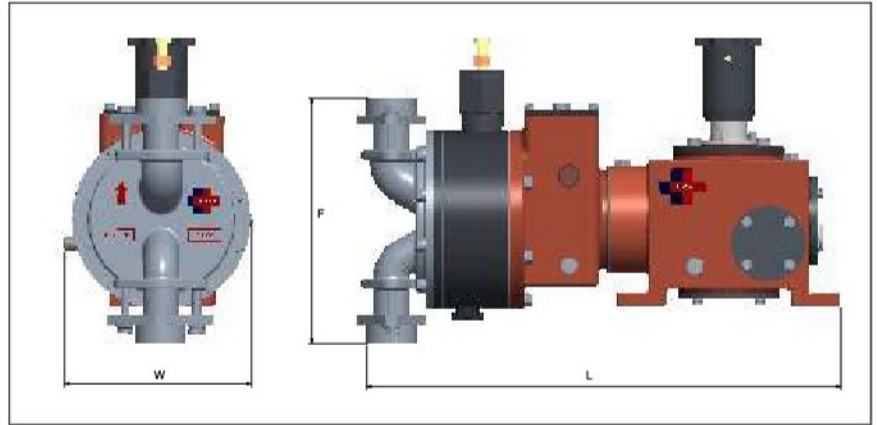


Positive Metering Pumps (I) Pvt. Ltd.

 +91 9552590845 chetanak@positivemetering.com

www.positivemetering.com

HYDRAULIC DIAPHRAGM DOSING PUMP (HD SERIES) API 675



Features:

- Glandless design and entirely leak-proof operation
- Flow rate is linear to stroke length variation
- Metering accuracy almost independent of back pressure
- Diaphragm is always balanced between the pressure exerted by the hydraulic oil and the liquid to be dosed. Ensures longer diaphragm life.
- Automatic air bleeding from the hydraulic oil ensures better metering accuracy
- Arrangement of in-built pressure relief valve protects the pump when pressure exceeds the rated limit.

Material of Construction Offered:

- SS304 / SS304L
- SS316 / SS316L
- Carbon Steels
- PP/PVC/PTFE/PVDF
- Alloy20
- Hastalloy B/C
- Any other special alloy
- Diaphragm MOC – PTFE / Metallic

Technical Specifications*

Flow Rate Ltr./Hr. Max	Pressure Bar (g) Max.	Pump Model	Installation Dimensions		
			L mm	W mm	F mm
0 – 11	80	HD 1011/SZ0	500	380	200
0 – 125	80	HD 1011/SZ1	520	400	250
0 – 270	100	HD 2017/SZ1	610	460	250
0 – 760	20	HD 2017/SZ2	620	470	300
0 – 470	200	HD 3530/SZ1	740	650	200
0 – 1250	39	HD 3530/SZ2	760	670	300
0 – 3210	17	HD 3530/SZ3	810	680	350
0 – 520	200	HD 6040/SZ1	1060	840	250
0 – 1950	100	HD 6040/SZ2	1060	860	300
0 – 5090	37	HD 6040/SZ3	1060	870	350
0 – 7332	12	HD 6040/SZ4	1100	900	450

Options

- Multiple Head with identical or different outputs for each head using single drive
- Jacketed Head for Heating or Cooling the liquid being pumped
- Automatic flow variation by receiving 4-20 mA signal from the process

List of Accessories

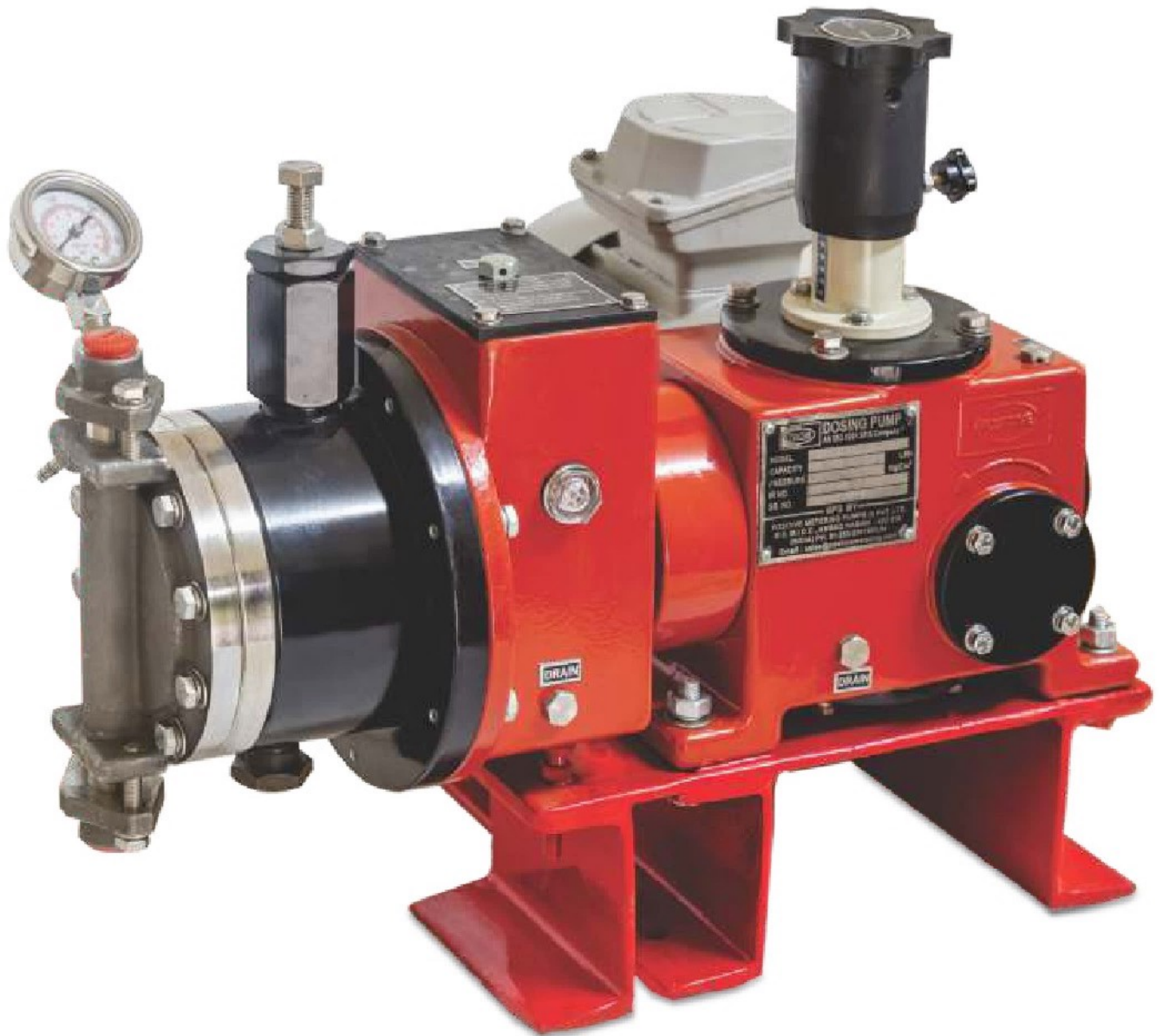
- Strainer
- Pressure Relief Valve
- Calibration Pot
- Pulsation Dampener
- Auto Stroke Actuator
- Local Control Panel
- Level Gauge

* Table given is for reference only and selection shall be done by PMPIPL on case to case basis.

F/MKT/08/Rev.04

Always think ^{of} Positive

positivemetering.com



**HYDRAULIC SANDWICH
DIAPHRAGM DOSING PUMP**



Positive Metering Pumps (I) Pvt. Ltd.

 +91 9552590845 chetanak@positivemetering.com

www.positivemetering.com

HYDRAULIC SANDWICH DIAPHRAGM DOSING PUMP (SD PUMP) API675

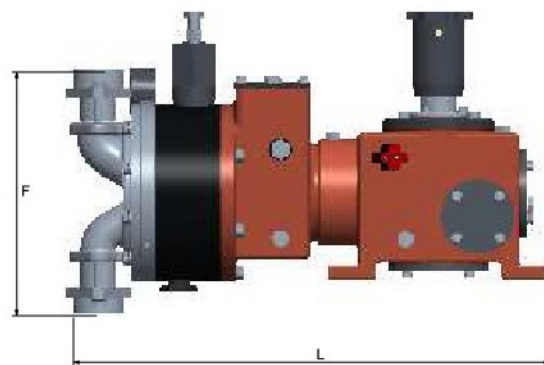
Features:

- Glandless design and entirely leak-proof operation
- Flow rate is linear to stroke length variation
- Metering accuracy almost independent of back pressure
- Sandwiched Diaphragms are always balanced between the pressure exerted by the hydraulic oil and the liquid to be dosed. Ensures longer diaphragm life.
- Automatic air bleeding from the hydraulic oil ensures better metering accuracy
- Arrangement of in-built pressure relief valve protects the pump when pressure exceeds the rated limit.
- RIA - Rupture Indication Arrangement, also called as Diaphragm Rupture Detection System (DRDS)



Material of Construction Offered:

- SS304 / SS304L
- SS316 / SS316L
- Carbon Steels
- PP/PVC/PTFE/PVDF
- Alloy20
- Hastalloy B/C
- Any other special alloy
- Diaphragm MOC – PTFE/Metallic



Technical Specifications

Flow Rate Ltr. /Hr. Max	Pressure Bar (g) Max.	Pump Model	Installation Dimensions		
			L mm	W mm	F mm
0 – 11	80	SD 1011/SZ0	500	380	200
0 – 125	80	SD 1011/SZ1	520	400	250
0 – 270	100	SD 2017/SZ1	610	460	250
0 – 760	20	SD 2017/SZ2	620	470	300
0 – 470	200	SD 3530/SZ1	740	650	200
0 – 1250	39	SD 3530/SZ2	760	670	300
0 – 3210	17	SD 3530/SZ3	810	680	350
0 – 520	200	SD 6040/SZ1	1060	840	250
0 – 1950	100	SD 6040/SZ2	1060	860	300
0 – 5090	37	SD 6040/SZ3	1060	870	350
0 – 7332	12	SD 6040/SZ4	1100	900	450

* Table given is for reference only and selection shall be done by PMPIPL on case to case basis.

F/MKT/08/Rev.04

Options

- Multiple Head with identical or different outputs for each head using single drive
- Jacketed Head for Heating or Cooling the liquid being pumped
- Automatic flow variation by receiving 4-20 mA signal from the process

List of Accessories

- Strainer
- Pressure Relief Valve
- Calibration Pot
- Pulsation Dampener
- Auto Stroke Actuator
- Local Control Panel
- Level Gauge



**'ANT' PUMPS :
ELECTRONIC DOSING PUMP**



Positive Metering Pumps (I) Pvt. Ltd.

 +91 9552590845 chetanak@positivemetering.com

www.positivemetering.com

'ANT' PUMPS : ELECTRONIC DOSING PUMP (ED, DD & AM SERIES)



'We are specialised in designing tough and high performing range of Electronic Dosing Pumps (ANT), which are extensively used for chemical dosing in applications like water and waste water treatment.

Features:

- Electronically driven and mechanically actuated diaphragm
- Adjustable injection frequency (0 to 100 SPM)
- Compact size, light weight, more robust structure
- Unique double ball check NRVs for better dosing accuracy
- Solenoid drive with minimum moving parts
- Digital display of SPM (AM series)
- Electrical supply conditions in a specific country can be adjusted.

ED Series

Flow control by manual frequency variation

Features

- Adjustable injection frequency (0 to 100 spm)

DD Series

Flow control by manual frequency and/or stroke length variation

Features

- Adjustable injection frequency (0 to 100 spm) & stroke length

AM Series

Flow control by automatic flow variation, on receiving 4-20 mA signal.

Features

- Digital display of spm
- Manually & automatic flow variation
- Enable to receive 4-20mA signal

Technical Specifications*

Flow Rate Ltr. /Hr.	Pressure Bar (g) Max.	Pump Model	Installation Dimensions		
			L mm	W mm	H mm
0 – 6	4	ED 01	200	100	200
0 – 10	2	ED 02	210	100	200
0 – 20	1	ED 02	210	100	200
0 – 3	10	ED 03	250	100	200
0 – 12	4	ED 03	250	100	200
0 – 30	4	ED 04	280	150	240
0 – 40	2	ED 04	280	150	240
0 – 50	1	ED 04	280	150	240
0 – 2	8	DD 01	200	100	200
0 – 6	4	DD 01	200	100	200
0 – 10	2	DD 02	210	100	200
0 – 7	10	DD 03	250	100	200
0 – 20	4	DD 03	250	100	200
0 – 30	4	DD 04	280	150	240
0 – 6	4	AM 01	200	100	200
0 – 10	2	AM 02	210	100	200
0 – 20	4	AM 03	250	100	200
0 – 30	4	AM 04	280	150	240
0 – 40	2	AM 04	280	150	240
0 – 50	1	AM 04	280	150	240

Material of Construction for Wetted Parts:

- SS304, SS304L, SS316, SS316L
- Monel
- Hastalloy B, C
- Alloy 20
- PP/PVDF/PTFE/GFT
- Diaphragm-Specially Designed PTFE Diaphragm

List of Accessories

- Suction & Discharge Tubing of LDPE Material
- Strainer Cum Foot valve
- Anti Syphon Valve in PP
- Built in electrical cable moulded with plug
- Pressure Relief Valve
- Calibration Pot
- Pulsation Dampener
- Local Control Panel
- Level Gauge

Options

- Level Control switch
- pH Meter
- Tank

* Table given is for reference only and selection shall be done by PMPIPL on case to case basis.

F/MKT/08/Rev.04

Always think ^{of} Positive

positivemetering.com



**CHEMICAL INJECTION SKID
MOUNTED PACKAGES**



Positive Metering Pumps (I) Pvt. Ltd.

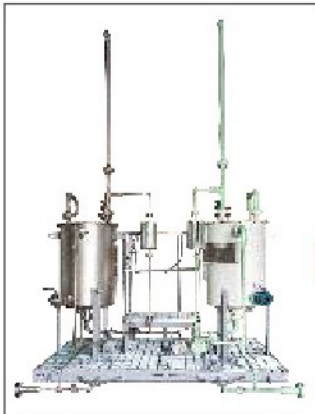
 +91 9552590845 chetanak@positivemetering.com

www.positivemetering.com

CHEMICAL INJECTION SKID MOUNTED PACKAGES



Sizes: 8 m x 4 m x 4 m & bigger sizes also can be manufactured (depending on the requirement)



We offer complete engineered skid mounted packages like chemical dosing systems, LDO systems, fuel metering systems, Gas metering systems etc. Our experienced teams of R&D and Engineering have created well engineered simple skid mounted packages to meet our costumres' specific requirements. This saves time and procurement cost of our customers in sourcing small individual, various components required for a process. Customers are benefited by giving single point responsibility of supply and performance of a package.

A Typical Skid Mounted Packages Incorporates:

- Solution preparation and/or storage tank, single or compartmented.
Made of MS/SS/FRP/HDPE. Wherever required Rubber/FRP etc. lining is possible.
- Components like Chemical Dosing Pumps, Gear/Screw Pumps, Heat Exchanger, Stirrer (Agitator), Valves, Fittings, Piping etc.
- Instruments Like Pressure & Level Gauges, Pressure & Level Switches/Transmitters, PRV Controllers, Sensors Etc.
- Control Panels, Annunciators
- Manufacturing is done strictly as per a Quality Assurance Plan drawn with reference to the contract.



List of Accessories

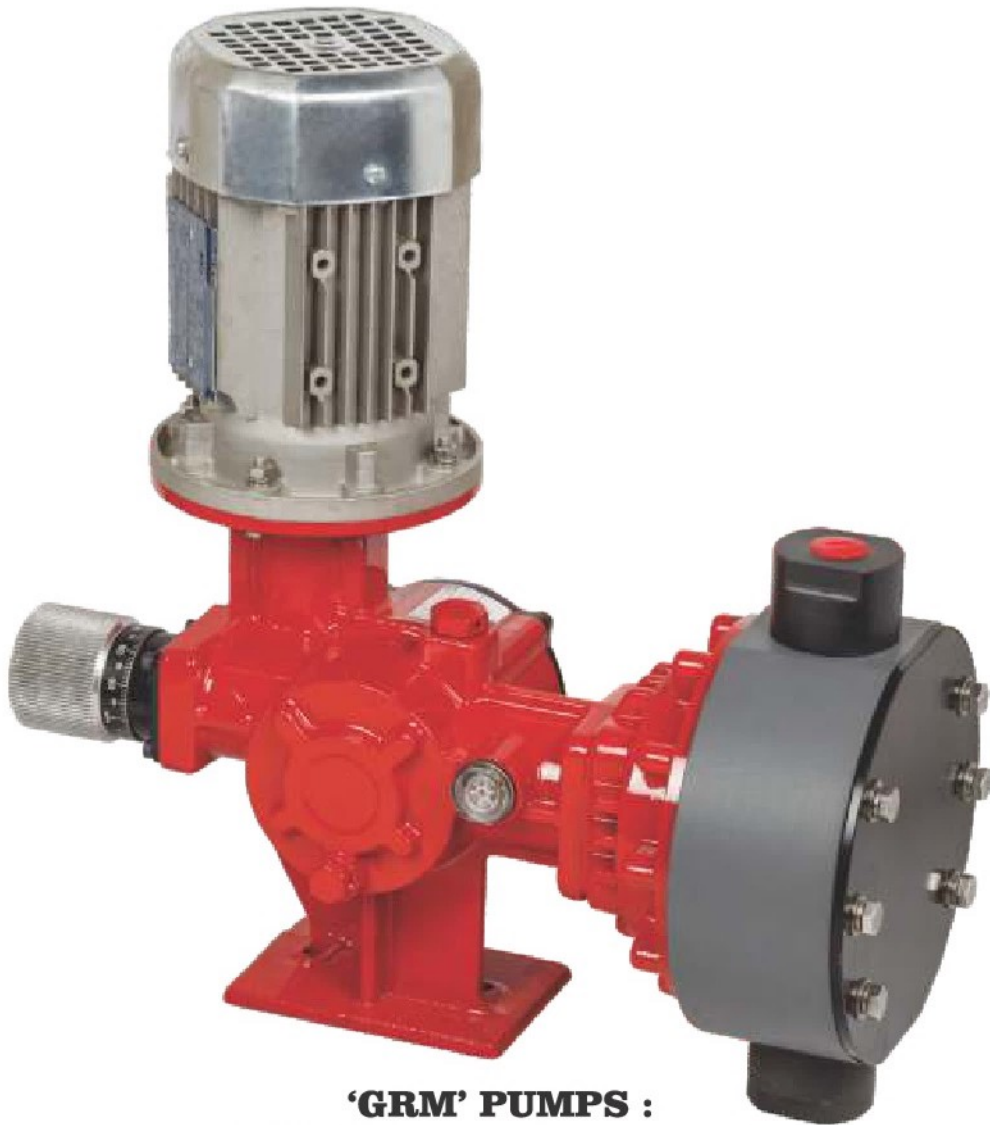
- Strainer
- Pressure Relief Valve
- Calibration Pot
- Pulsation Dampener
- Auto Stroke Actuator
- Local Control Panel
- Level Gauge



F/MKT/08/Rev.04

Always think ^{of} Positive

positivemetering.com



**'GRM' PUMPS :
MOTORISED MECHANICAL
DIAPHRAGM PUMP**



Positive Metering Pumps (I) Pvt. Ltd.

 +91 9552590845 chetanak@positivemetering.com

www.positivemetering.com

'GRM' PUMPS : MOTORISED MECHANICAL DIAPHRAGM PUMP (GRM SERIES)

Features:

- Glandless design and entirely leak-proof operation
- Mechanically operated diaphragm
- Flow rate linear to stroke length variation
- Steady State Accuracy & Repeatability $\pm 5\%$

Material of construction Offered:

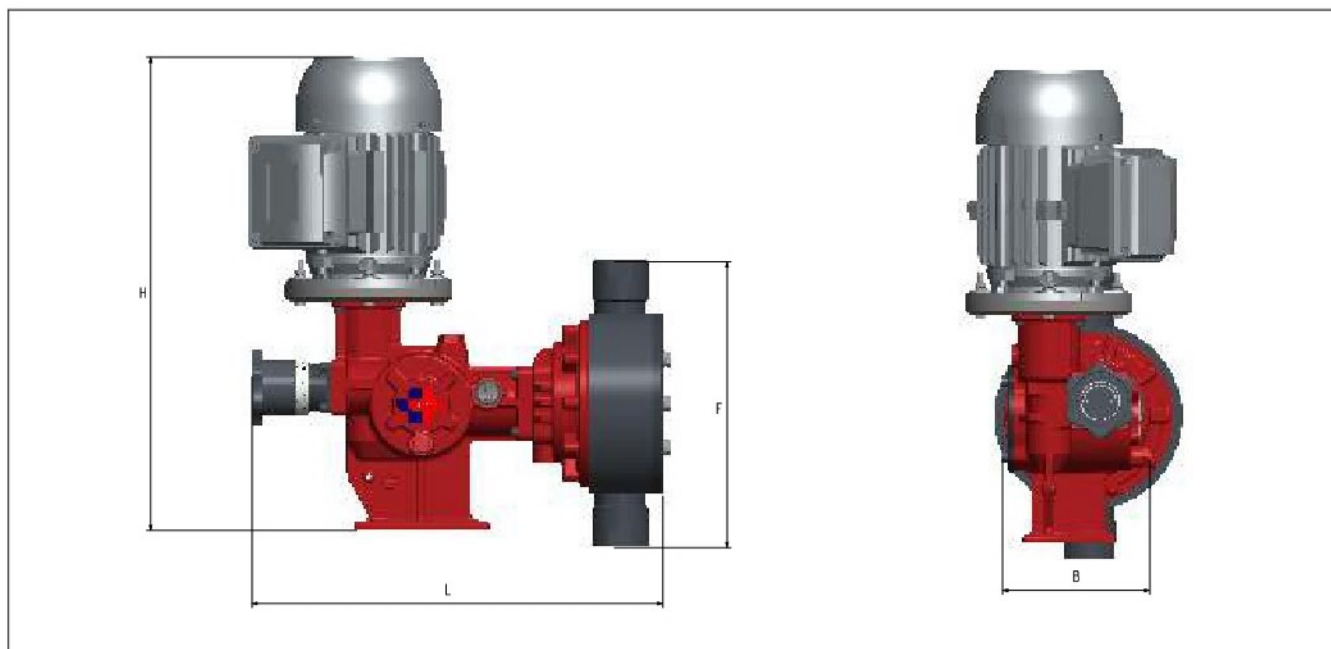
- SS304, SS304L, SS316, SS316L
- Hastalloy B/C, Alloy 20
- PP/ PTFE
- Diaphragm - Specially Designed PTFE Diaphragm

Options:

- Multiple Head with identical or different outputs for each head using single drive
- Automatic flow variation by Variable Frequency Drive (VFD)

List of Accessories

- Strainer
- Pressure Relief Valve
- Calibration Pot
- Pulsation Dampener
- Variable Frequency Drive (VFD)
- Local Control Panel



Technical Specifications:

Flow Rate Ltr./Hr Max	Pressure Bar (g) Max	Pump Model	Motor	Installation Dimensions (in mm)							
				A	B	C	D	E	F(± 10)	G	H(± 30)
35	10	GRM 91	0.5 HP	90	70	78	128	75	200	1/2"	410
165	10	GRM 92	0.5 HP	90	70	78	128	75	220	1/2"	410
600	6	GRM 93	0.5 HP	90	70	78	128	75	300	1"	410
1200	6	GRM 84	1 HP	190	-	200	250	-	300	1"	600

* Table given is for reference only and selection shall be done by PMPiPL on case to case basis.

F/MKT/08/Rev.04



AGITATORS, STIRRERS

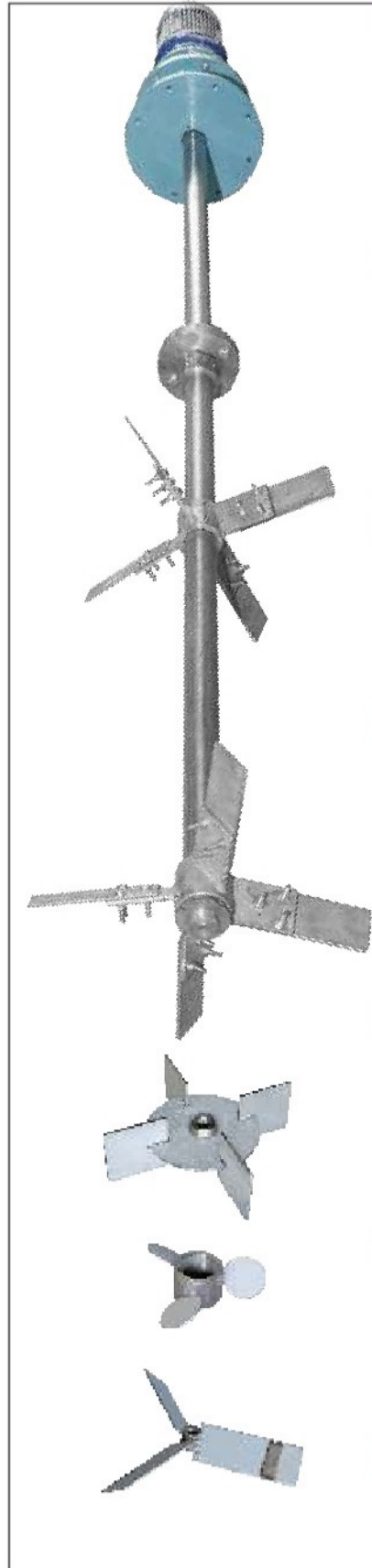


Positive Metering Pumps (I) Pvt. Ltd.

 +91 9552590845 chetanak@positivemetering.com

www.positivemetering.com

AGITATORS, STIRRERS



Features:

- Simple Design
- Efficient
- Versatile
- Compact
- Economical

Product Range

- Top Entry Mixers
- Side Entry Mixers
- Flocculator
- Flash Mixer
- Emulsifiers

Material of construction Offered:

- EN-8, EN-24, SS304, SS304L, SS316, SS316L,
- Rubber, Lead, Epoxy & Teflon Coating

Sealing

- **Types offered** : Lip Seals, Stuffing Box, Single / Double Mechanical Seals depending upon process parameters such as temperature, pressure in the vessel
- **Lubrication** : Thermo-Syphon or Forced Type

Drives

- **Speed Reducers** : Worm & Worm Wheel, Inline / Parallel Helical, Planetary.
- Belt System, Speed Variators
- **Couplings** : Flexible, Fluid, Friction Type or Direct

Shafts

- Solid / hollow construction considering critical speed and jamming factors
- Machined between centres in one setting

Impellers

- Heart of mixing, proper selection enhances the performance
- Variety of impellers available for almost all applications

C E R T I F I E D
ISO 9001: 2015
ISO 14001: 2015
ISO 45001: 2018

Positive Metering Pumps (I) Pvt. Ltd.

📍 M-8, MIDC, Ambad, Nasik: 422010, India. ☎ +91-253-6613218 / 6613206 / 6613230 / 6613214.

✉ sales@positivemetering.com ☎ +91-9922507046 ✉ chetanak@positivemetering.com ☎ +91-9552590845

www.positivemetering.com