

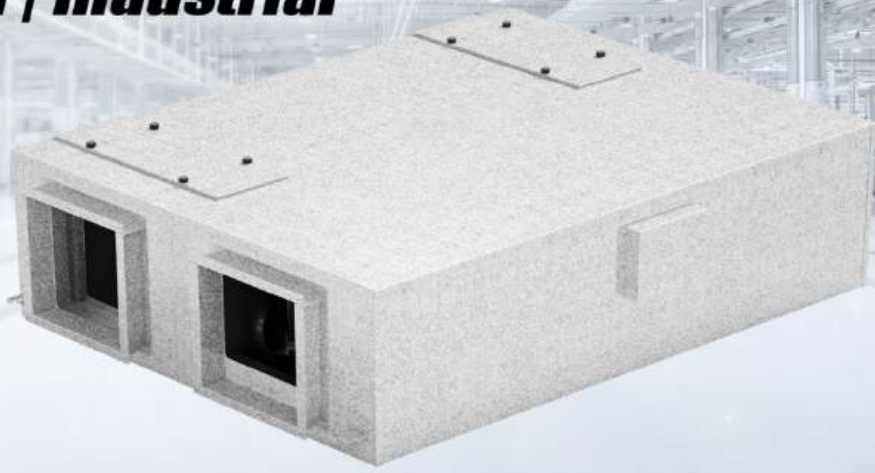
**SAF**



UNI AND BIDIRECTION  
**VENTILATION**  
UNIT

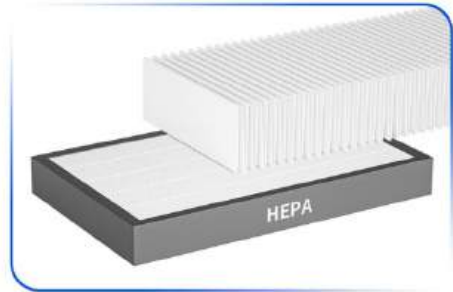
800 ~ 2000m<sup>3</sup>/h

# Commercial / Industrial ERV

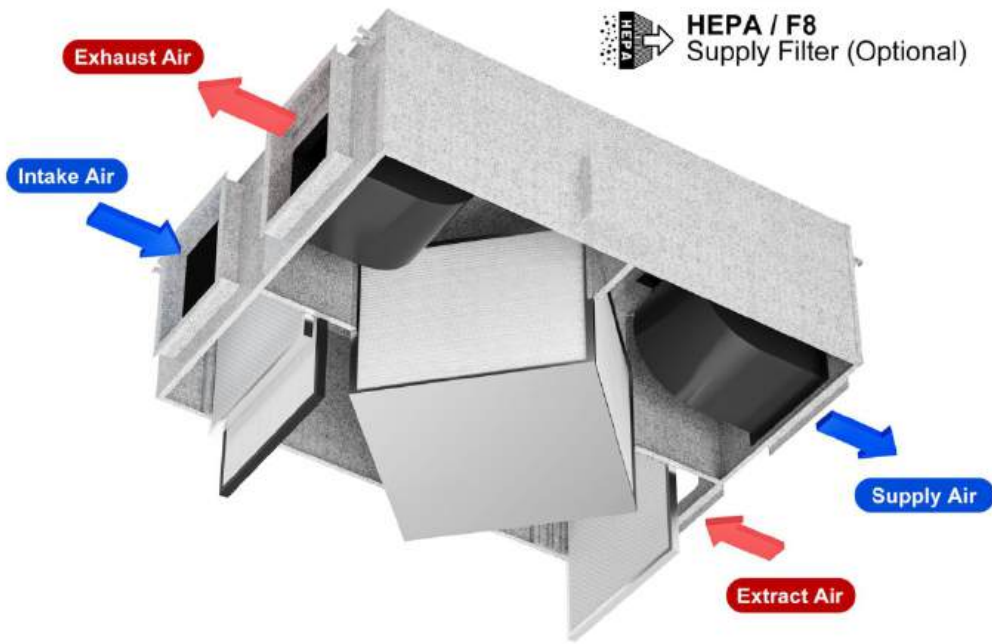


### Controller

- ✓ High / Low Speed
- ✓ ON / OFF



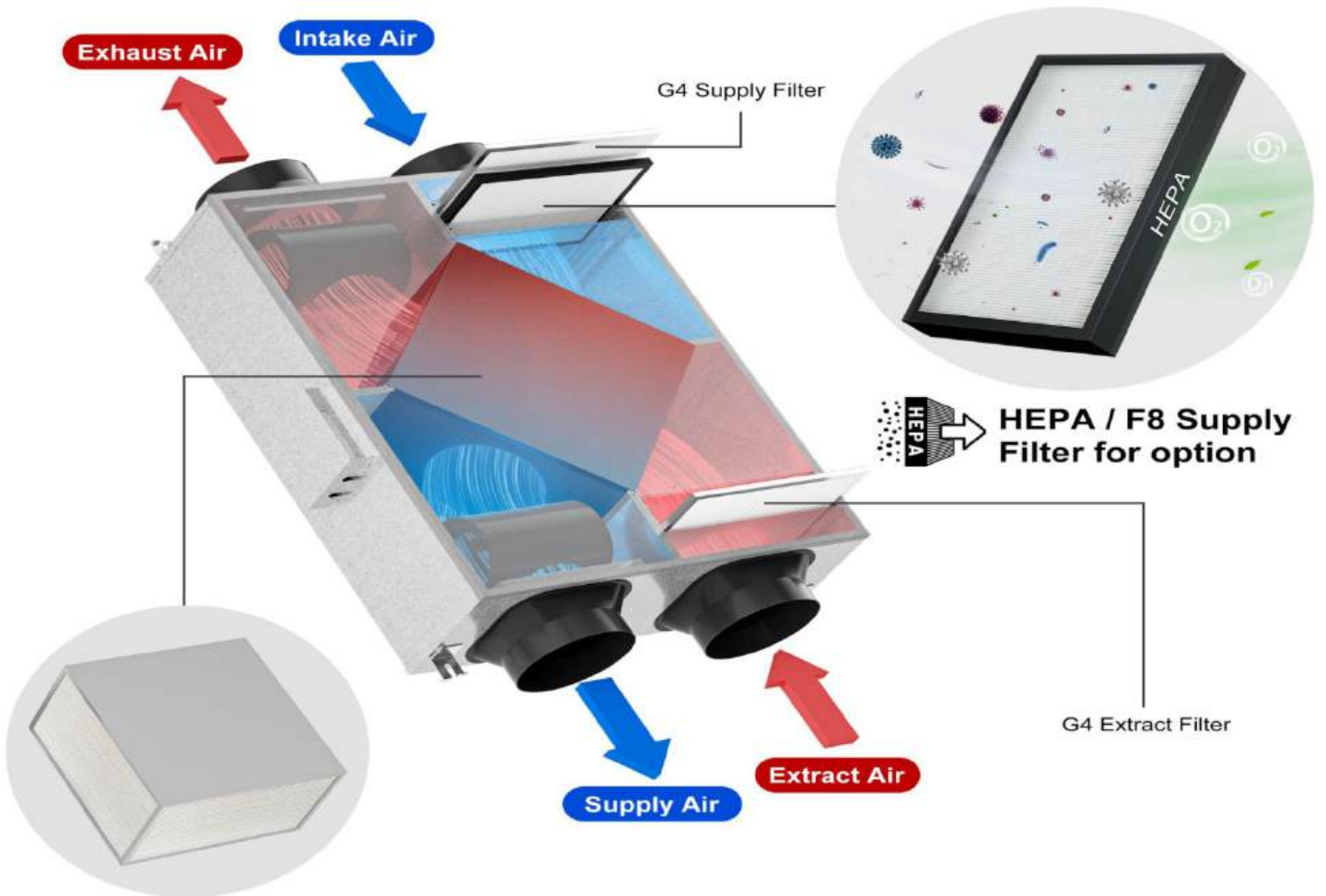
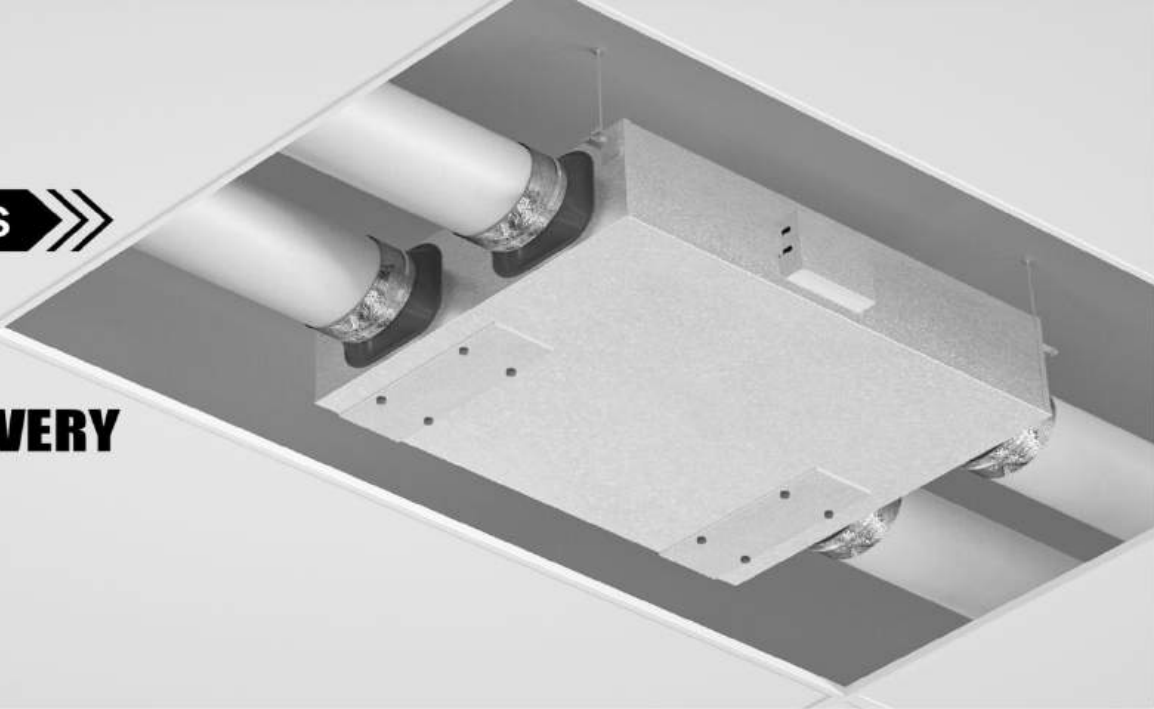
HEPA / F8 Supply Filter (Optional)



Product Model	Max Airflow (m <sup>3</sup> /hr)	Supply Filter	Extract Filter	Filter	Internal/Insulation Material	Air Duct Connector Size (mm)	Product Size (mm)
SAF-EY-800-AC-PJ	800	G4	G4	F8/Hepa	Polyethelene Foam	200x300	1066x845x385
SAF-EY-1000-AC-PJ	1000	G4	G4	F8/Hepa	Polyethelene Foam	230x270	1166x905x385
SAF-EY-1200-AC-PJ	1200	G4	G4	F8/Hepa	Polyethelene Foam	230x270	1406x1005x385
SAF-EY-1500-AC-PJ	1500	G4	G4	F8/Hepa	Polyethelene Foam	280x320	1456x1205x434
SAF-EY-2000-AC-PJ	2000	G4	G4	F8/Hepa	Polyethelene Foam	300x370	1456x1205x505

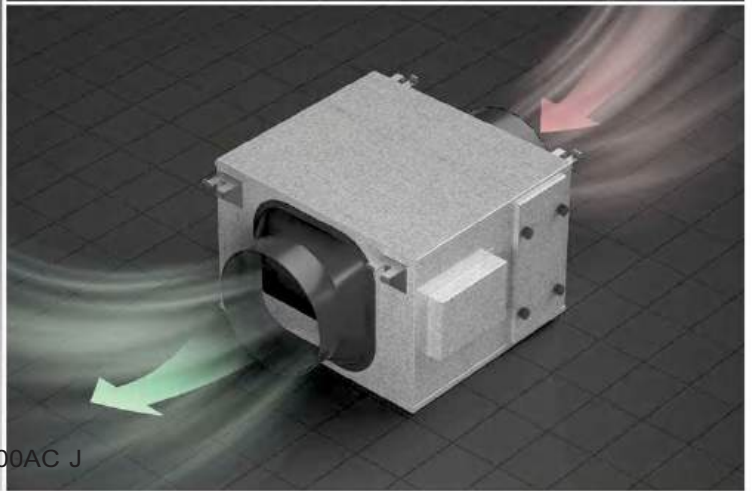
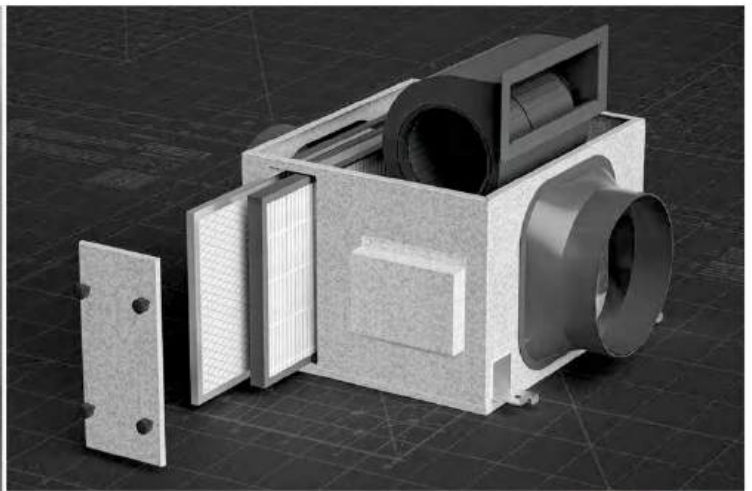
**EV SERIES**

**ENERGY RECOVERY  
VENTILATION  
SYSTEM**



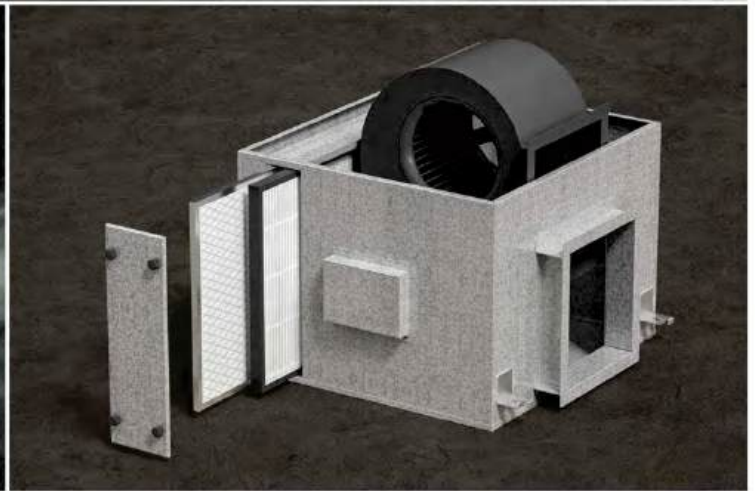
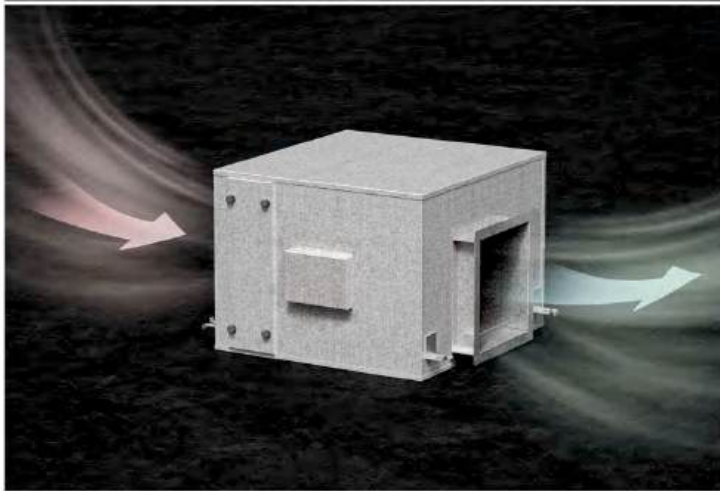
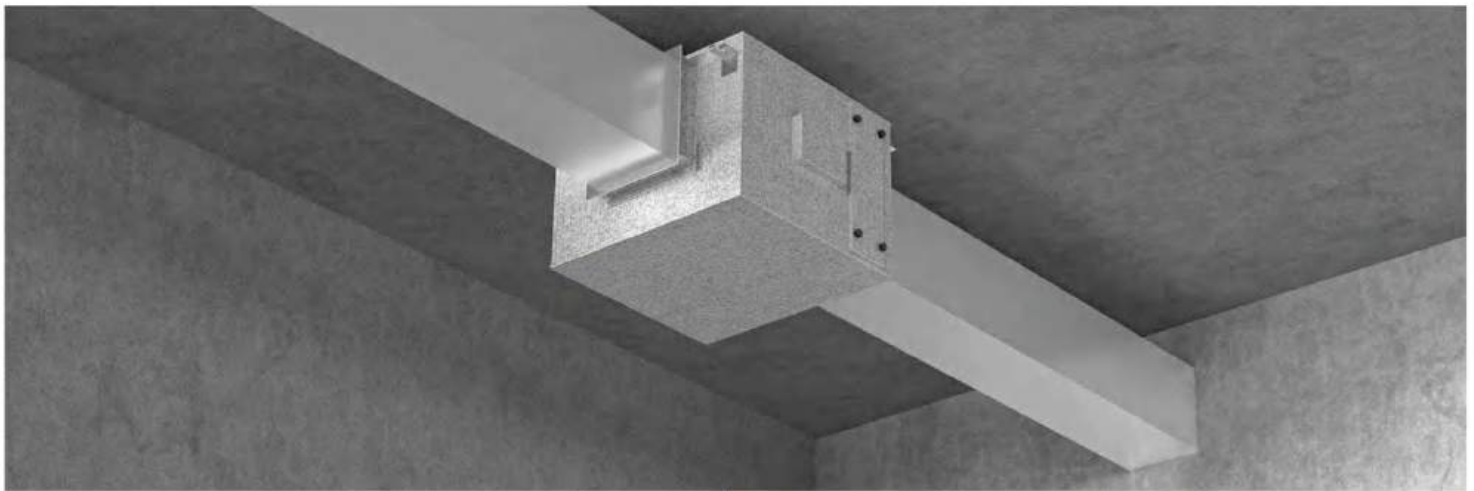
**High Efficiency Enthalpy  
Heat Exchanger**

Product Model	Max Airflow (m <sup>3</sup> /hr)	Supply Filter	Extract Filter	Filter	Internal/Insulation Material	Air Duct Connector Diameter (Φ mm)	Product Size (mm)
SAF-EC-150RAC-P-J	150	G4	G4	F8/Hepa	Polyethelene Foam	125	707 x 505 x 185
SAF-EC-250RAC-P-J	250	G4	G4	F8/Hepa	Polyethelene Foam	150	766 x 605 x 215
SAF-EC-350RAC-P-J	350	G4	G4	F8/Hepa	Polyethelene Foam	150	850 x 605 x 225
SAF-EC-500RAC-P-J	500	G4	G4	F8/Hepa	Polyethelene Foam	200	926 x 745 x 255
SAF-EC-650RAC-P-J	650	G4	G4	F8/Hepa	Polyethelene Foam	200	947 x 670 x 365



X800AC J

Model	Max. Airflow	Standard Filter	Optional Filter	Case Material	Internal Insulation Material	Connected Air Duct Diameter	Weight	Product Size
SAF-X150ACJ	150m³/h	G4	F8 / HEPA	Aluminium Zinc Coated Sheet Steel	Polyethylene Foam	Φ100mm	7kg	305*285*160mm
SAF-X250ACJ	250m³/h	G4	F8 / HEPA	Aluminium Zinc Coated Sheet Steel	Polyethylene Foam	Φ150mm	8.8kg	360*330*210mm
SAF-X350ACJ	350m³/h	G4	F8 / HEPA	Aluminium Zinc Coated Sheet Steel	Polyethylene Foam	Φ150mm	8.8kg	360*330*210mm
SAF-X500ACJ	500m³/h	G4	F8 / HEPA	Aluminium Zinc Coated Sheet Steel	Polyethylene Foam	Φ200mm	11.4kg	340*385*265mm
SAF-X650ACJ	650m³/h	G4	F8 / HEPA	Aluminium Zinc Coated Sheet Steel	Polyethylene Foam	Φ200mm	9.3kg	365*325*285mm
SAF-X800ACJ	800m³/h	G4	F8 / HEPA	Aluminium Zinc Coated Sheet Steel	Polyethylene Foam	Φ200mm	11.7kg	365*385*285mm
SAF-Y250ACJ	250m³/h	—	—	Aluminium Zinc Coated Sheet Steel	Polyethylene Foam	Φ100mm	6.3kg	275*285*160mm
SAF-Y400ACJ	400m³/h	—	—	Aluminium Zinc Coated Sheet Steel	Polyethylene Foam	Φ150mm	7.9kg	330*330*210mm
SAF-Y600ACJ	600m³/h	—	—	Aluminium Zinc Coated Sheet Steel	Polyethylene Foam	Φ200mm	10kg	310*385*265mm
SAF-Y800ACJ	800m³/h	—	—	Aluminium Zinc Coated Sheet Steel	Polyethylene Foam	Φ200mm	7.9kg	335*325*285mm
SAF-Y1000ACJ	1000m³/h	—	—	Aluminium Zinc Coated Sheet Steel	Polyethylene Foam	Φ200mm	10.5kg	335*385*285mm

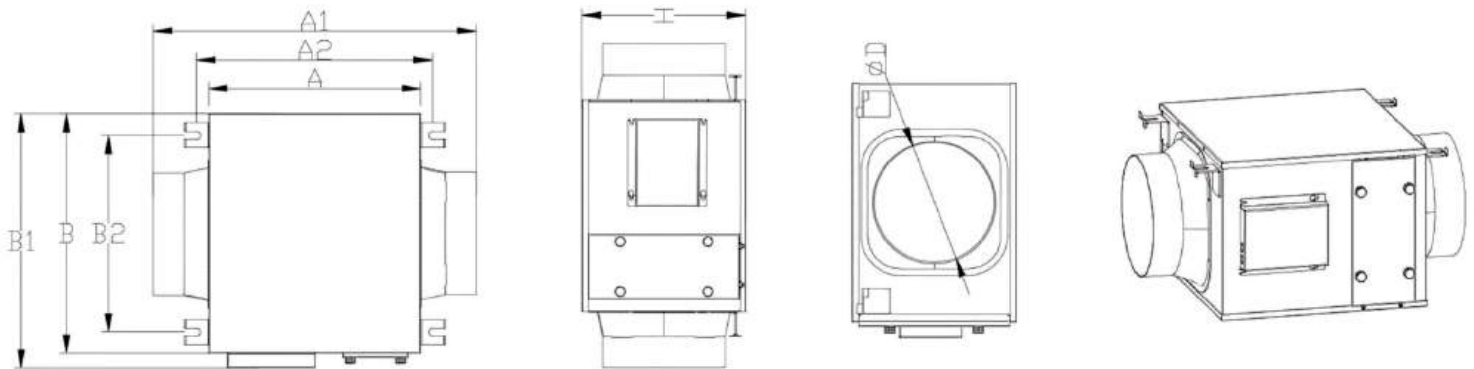


Model	Max. Airflow	Standard Filter	Optional Filter	Case Material	Internal Insulation Material	Connected Air Duct Diameter	Weight	Product Size
SAF-X1000ACJ	1000m³/h	G4	F8 / HEPA	Aluminium Zinc Coated Sheet Steel	Polyethylene Foam	220*220mm	20kg	470*500*365mm
SAF-X1200ACJ	1200m³/h	G4	F8 / HEPA	Aluminium Zinc Coated Sheet Steel	Polyethylene Foam	230*220mm	23.5kg	470*525*365mm
SAF-X1500ACJ	1500m³/h	G4	F8 / HEPA	Aluminium Zinc Coated Sheet Steel	Polyethylene Foam	230*220mm	23.5kg	470*525*365mm
SAF-X2000ACJ	2000m³/h	G4	F8 / HEPA	Aluminium Zinc Coated Sheet Steel	Polyethylene Foam	280*260mm	31kg	555*605*415mm
SAF-X2500ACJ	2500m³/h	G4	F8 / HEPA	Aluminium Zinc Coated Sheet Steel	Polyethylene Foam	300*260mm	36kg	605*665*430mm
SAF-X3000ACJ	3000m³/h	G4	F8 / HEPA	Aluminium Zinc Coated Sheet Steel	Polyethylene Foam	300*260mm	36.5kg	605*665*430mm
SAF-X3500ACJ	3500m³/h	G4	F8 / HEPA	Aluminium Zinc Coated Sheet Steel	Polyethylene Foam	340*290mm	39.5kg	605*705*485mm
SAF-Y1200ACJ	1200m³/h	—	—	Aluminium Zinc Coated Sheet Steel	Polyethylene Foam	220*220mm	18kg	430*500*365mm
SAF-Y1500ACJ	1500m³/h	—	—	Aluminium Zinc Coated Sheet Steel	Polyethylene Foam	230*220mm	21.3kg	435*525*365mm
SAF-Y2000ACJ	2000m³/h	—	—	Aluminium Zinc Coated Sheet Steel	Polyethylene Foam	230*220mm	21.3kg	435*525*365mm
SAF-Y2500ACJ	2500m³/h	—	—	Aluminium Zinc Coated Sheet Steel	Polyethylene Foam	280*260mm	28.2kg	515*605*415mm
SAF-Y3000ACJ	3000m³/h	—	—	Aluminium Zinc Coated Sheet Steel	Polyethylene Foam	300*260mm	33kg	565*665*430mm
SAF-Y3500ACJ	3500m³/h	—	—	Aluminium Zinc Coated Sheet Steel	Polyethylene Foam	300*260mm	33kg	565*665*430mm
SAF-Y4000ACJ	4000m³/h	—	—	Aluminium Zinc Coated Sheet Steel	Polyethylene Foam	340*290mm	36.1kg	565*705*485mm

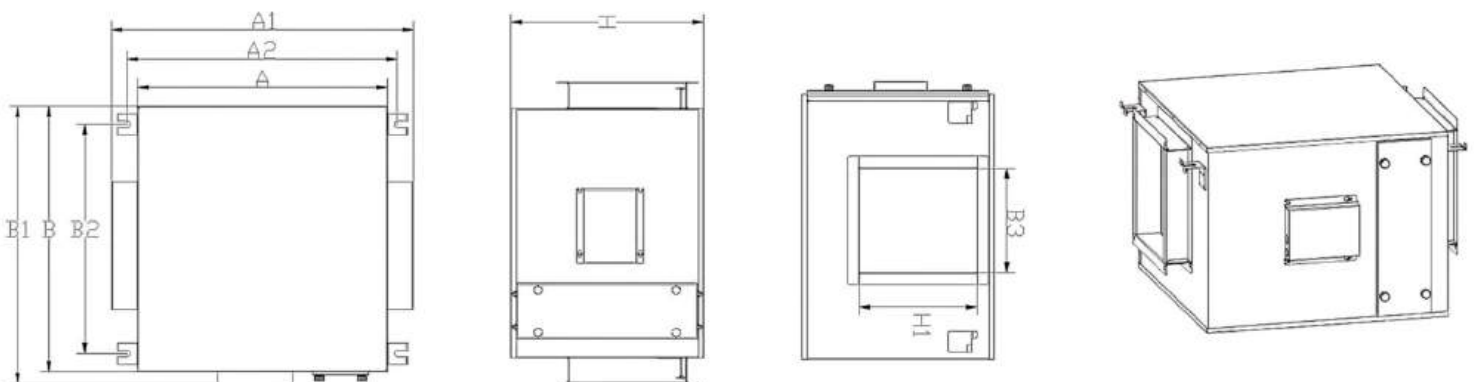
# UNIDIRECTIONAL VENTILATION UNIT



Model	A	A1	B	B1	H	A2	B2	ΦD
SAF-X150ACJ	305	425	285	310	160	340	225	100
SAF-X250ACJ	360	511	330	360	210	400	270	150
SAF-X350ACJ	360	511	330	360	210	400	270	150
SAF-X500ACJ	340	520	385	410	265	380	315	200
SAF-X650ACJ	365	540	325	350	285	400	265	200
SAF-X800ACJ	365	540	385	415	285	400	325	200
SAF-Y250ACJ	275	390	285	310	160	310	225	100
SAF-Y400ACJ	330	485	330	360	210	370	270	150
SAF-Y600ACJ	310	490	385	410	265	350	315	200
SAF-Y800ACJ	335	510	325	350	285	370	265	200
SAF-Y1000ACJ	335	510	385	415	285	370	325	200



Model	A	A1	B	B1	H	A2	B2	B3	H1
SAF-X1000ACJ	470	570	500	525	365	510	430	200	220
SAF-X1200ACJ	470	570	525	550	365	510	455	230	220
SAF-X1500ACJ	470	570	525	550	365	510	455	230	220
SAF-X2000ACJ	555	710	605	630	415	590	535	280	260
SAF-X2500ACJ	605	760	665	690	430	640	595	300	260
SAF-X3000ACJ	605	760	665	690	430	640	595	300	260
SAF-X3500ACJ	605	760	705	730	485	640	635	340	290
SAF-Y1200ACJ	430	530	500	525	365	470	430	200	220
SAF-Y1500ACJ	435	530	525	550	365	470	455	230	220
SAF-Y2000ACJ	435	530	525	550	365	470	455	230	220
SAF-Y2500ACJ	515	670	605	630	415	550	535	280	260
SAF-Y3000ACJ	565	720	665	690	430	600	595	300	260
SAF-Y3500ACJ	565	720	665	690	430	600	595	300	260
SAF-Y4000ACJ	565	720	705	730	485	600	635	340	290





# SMART CONTROL PANEL

High definition touch screen  
Real time IAQ data display

Model	Panel Type	Sensors	Mode	Fan Speed	Remote Control	Bypass ON/OFF	Filter Alert
AFW04	Touch Screen	TEMP / RH / CO <sub>2</sub> / VOCs / PM2.5	Auto / Manual / Timer	3 Speeds	WiFi & APP	✓	✓
AFW05	Touch Screen	TEMP / RH / CO <sub>2</sub> / VOCs	Auto / Manual / Timer	3 Speeds	WiFi & APP	✓	✓
AFW06	Touch Screen	TEMP / RH / PM2.5	Auto / Manual / Timer	3 Speeds	WiFi & APP	✓	✓

## AFW01 Controller

✓ ON / OFF

✓ High / Low Speed



## AFW08 Controller



WiFi



TIMER



3 SPEEDS

