



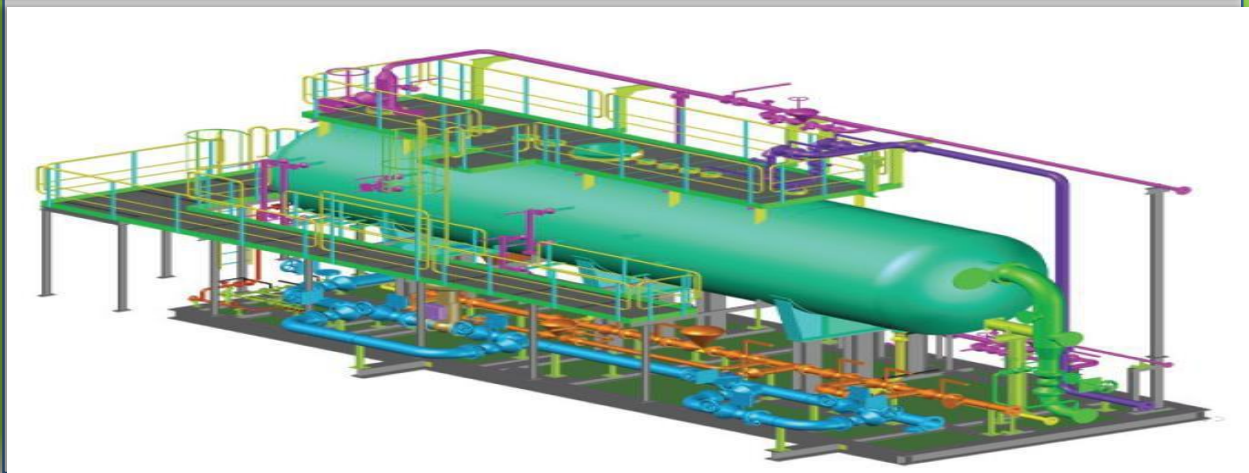
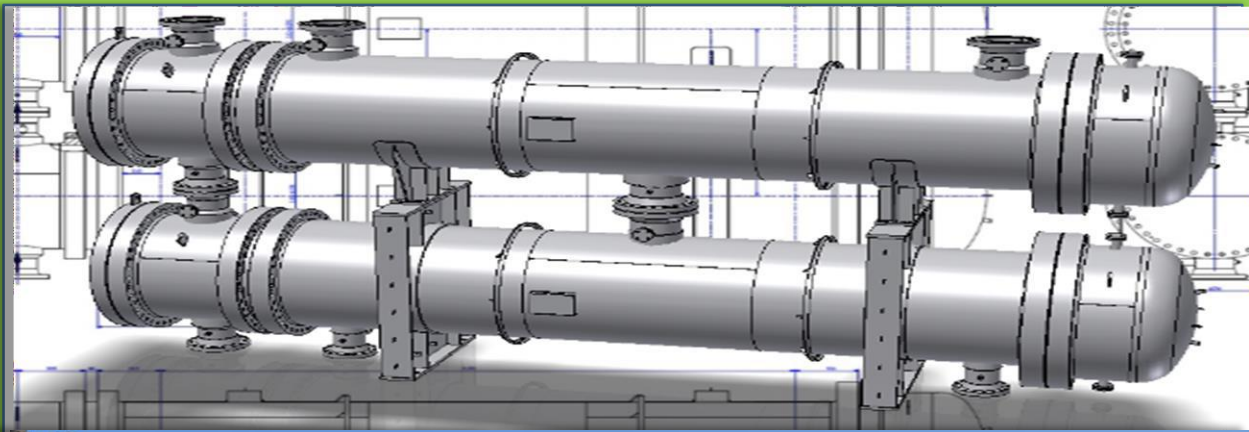
# C&J GULF EQUIPMENT MANUFACTURING L.L.C

**Mechanical and Fabrication Solutions.**

## **Sales Office & Works**

P.O Box- 7702, Abu Dhabi, UAE

Ph:+971 2 5553453, 5540809



## About C & J

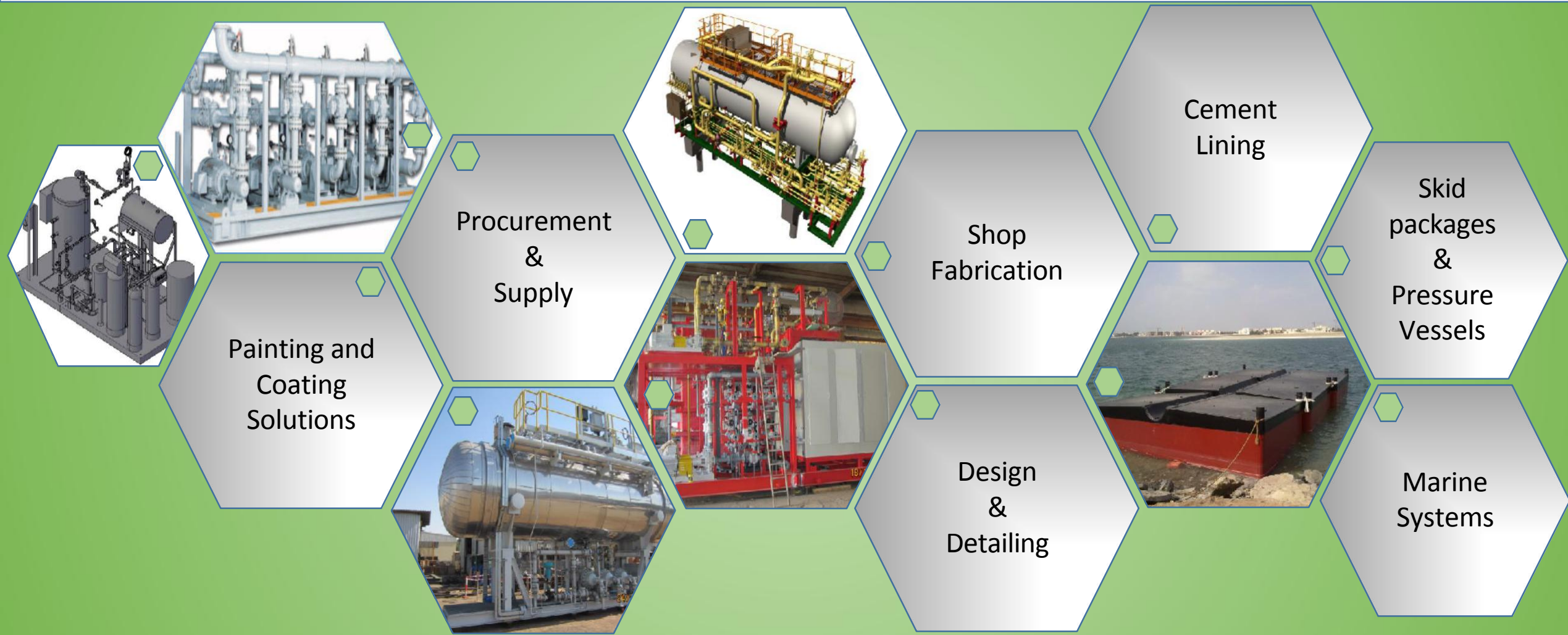
Design, Supply and revamp of Pressure Vessels, Storage Tanks, process packages skids as per ASME codes or other international standards forms the core of our business.

We Provides Fabrication Solutions for Heavy Mechanical structures like Rig Legs, Spud cans, Pontoons, Buoys, Fire Fighting equipment's and pipe spooling.

“Over the past 35 years we have built a solid reputation for cost effective reliable and timely services. “



# Service Provided



## Service Provided

- ❑ Design and Manufacturing of Pressure Vessels
- ❑ API 650 Storage Tanks, Silos.
- ❑ Process and Power Piping fabrication.
- ❑ Fabrication and installation of steel structures
- ❑ Manufacture of Multiport Selector Valve Packages, Conventional Manifold Skid Packages, Water injection Manifold Packages.
- ❑ Manufacture of Metering Skids.
- ❑ Chemical Injection skids
- ❑ Various Modularized skid mounted Process Packages
- ❑ Internal Cement Mortar Lining of Pipes, Fittings & Flanges

### QUALITY

At C&J, Quality is the first and foremost Concern.

Over the last decade we have built a reputation for reliability and exceptional quality of services.

Our repeat clients are a testimonial to the trust we enjoy as a result of our painstaking attention to detail and the drive for perfection in whatever we do.

# Our Accreditations

- ❑ ISO 9001:2015 Approval by TUV NORD
- ❑ ICV Approval



**TUV NORD**

## CERTIFICATE

Management system as per  
ISO 9001 : 2015

In accordance with TÜV Middle East procedures, it is hereby certified that

**C&J Gulf Equipment Manufacturing L.L.C**  
Plot No MN-1E, 6th Street  
Musafah, Abu Dhabi  
United Arab Emirates



applies a management system in line with the above standard for the following scope

IAF Code: 17, 18

Scope

**Design and Manufacturing of Storage Tanks, Pressure Vessels, Skids, Structural Fabrications and Pipe Work Including Blasting and Coating Activities**

Certification Registration No. EAC 03 00659  
Audit Report No. 1000 7116

Valid from: 12-12-2023  
Valid until: 27-10-2026  
Initial certification: 1999  
Previous certificate validity: 27-10-2023  
Recertification audit date: 01-11-2023

Certification Body  
TÜV Middle East

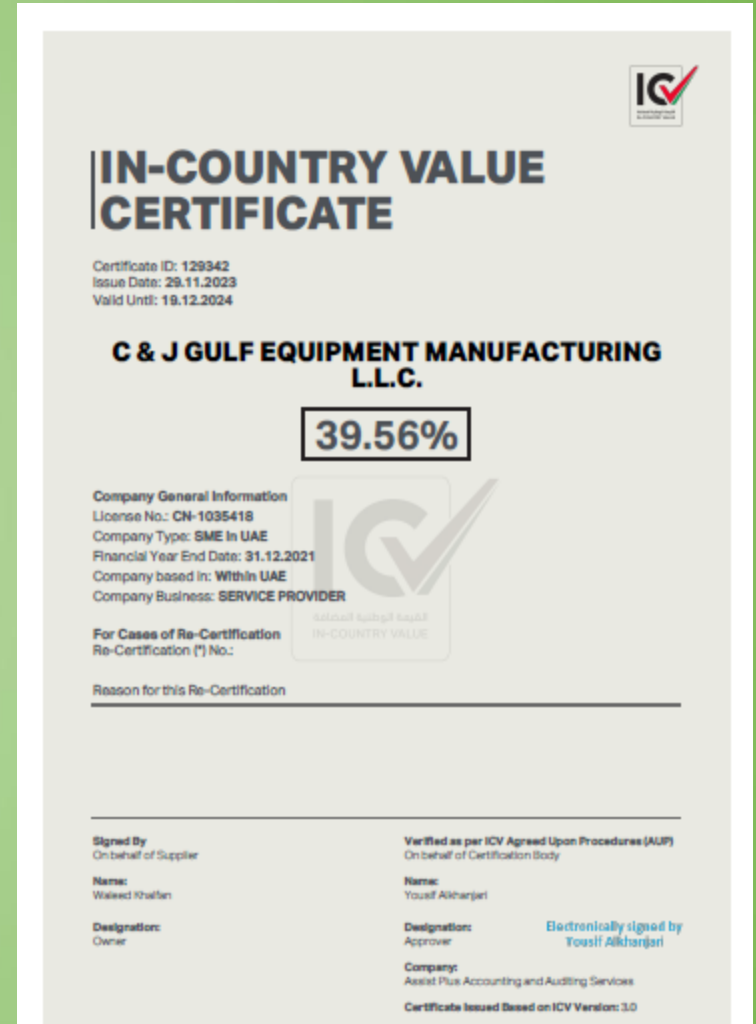
Abu Dhabi, 12-12-2023

This certification was conducted in accordance with the TÜV Middle East auditing and certification procedures and is subject to regular surveillance audits.

TÜV Middle East | Mezzanine Floor, Danaat Tower A, Airport Road, P.O. Box 46000, Abu Dhabi, UAE | www.tuvmee.com







**IN-COUNTRY VALUE CERTIFICATE**

Certificate ID: 129942  
Issue Date: 29.11.2023  
Valid Until: 19.12.2024

**C & J GULF EQUIPMENT MANUFACTURING L.L.C.**

**39.56%**

Company General Information  
License No.: CN-1035418  
Company Type: SME in UAE  
Financial Year End Date: 31.12.2021  
Company based in: Within UAE  
Company Business: SERVICE PROVIDER

For Cases of Re-Certification  
Re-Certification (\*) No.:

Reason for this Re-Certification

Signed By  
On behalf of Supplier

Name:  
Waheed Khalifa

Designation:  
Owner

Verified as per ICV Agreed Upon Procedures (AUP)  
On behalf of Certification Body

Name:  
Yousif Alkharjari

Designation:  
Approver

Electronically signed by  
Yousif Alkharjari

Company:  
Assist Plus Accounting and Auditing Services

Certificate issued Based on ICV Version: 3.0



## Recent Jobs Done By C&J

<b>Client</b>	<b>Project Title</b>	<b>Scope of Work</b>
<b>Loops Automation/KOC</b>	<b>Installation of new LP Gas Ring Header and associated work at Shuaiba Industrial Area</b>	<b>Supply &amp; Fabrication of Flow Metering Skids</b>
<b>Target Engg. / Adnoc Offshore</b>	<b>Interconnection of Firewater Network (UZ and Sarb Plants) in Zirku Island</b>	<b>Piping Spool Fabrication and Cement Lining</b>
<b>ADNOC LNG</b>	<b>Boiler 5 &amp; 6 Turn around</b>	<b>Piping Spool Fabrication, Boiler Suction fan Silencer, Boiler Stack</b>
<b>OQ Refineries Oman</b>	<b>MAF Turnaround 2024</b>	<b>Piping Spool Fabrication and Cement Lining</b>
<b>Al Asab LLC</b>	<b>EPC for Tie-in for Southeast Package C</b>	<b>Manufacture of Conventional/Multiport Manifold Skids</b>
<b>Petrofac LLC</b>	<b>EPC for Qusahwira Field Development</b>	<b>Manufacture of Multiport Selector Manifold Skids</b>

## Recent Jobs Done By C&amp;J

<b>Client</b>	<b>Project Title</b>	<b>Scope of Work</b>
<b>GMS</b>	<b>Rig Leg Fabrication for 3 nos. barges</b>	<b>Fabrication of Rig Leg</b>
<b>Loops Automation LLC</b>	<b>Flow Metering System – SCOP Iraq</b>	<b>Supply &amp; Fabrication of Flow Metering Skids</b>
<b>Flour Mideast</b>	<b>Iraq West Qurna 1 Project</b>	<b>Supply &amp; Fabrication of Water Manifold Skids</b>
<b>Cumberland</b>	<b>Zakum West Super Complex - GGII</b>	<b>Supply &amp; Fabrication of Electro Chlorination Skid</b>
<b>NPCC/Technip</b>	<b>Satah Full Field Development Project</b>	<b>Supply &amp; Internal Cement Lining of Pipes, Fittings &amp; Flanges</b>
<b>Larsen &amp; Toubro</b>	<b>Shah Gas Development Project</b>	<b>Piping Spool Fabrication</b>
<b>NDC</b>	<b>National Drilling Company</b>	<b>Fabrication of “U” Stamp Degasser Vessel</b>
<b>Loops Automation LLC</b>	<b>Daura Refinery Project - Iraq</b>	<b>Supply &amp; Fabrication of Flow Metering Skids</b>

## Recent Jobs Done By C&J

<b>Client</b>	<b>Project Title</b>	<b>Scope of Work</b>
Angus Fire Engineering	Kuwait National Petroleum Council (KNPC)	Fabrication and Assembly of Deluge Skids
STEPS Electrical & Mechanical	ZADCO – Marine Facilities	Fabrication of Mooring System (Mooring Bouys & Sinkers)
CB&I	Refurbishment of Crude Oil Storage Tank - ZADCO	Fabrication of Tank Drain Piping (COS Tank 5&6)
Kidde Products Ltd.	ADCO Pipeline Project	Fabrication of Fire Hydrants
China Petroleum Engineering & Const. Corp.	Abu Dhabi Crude Oil Pipeline (ADCOP Project)	Oil Drain and Subsea Pressurization System and Diesel Storage Tank
China Petroleum Engineering & Const. Corp.	Abu Dhabi Crude Oil Pipeline (ADCOP Project)	Utility Water & Service Water System and IPS Irrigation Sys. (Surge Vessel Bladder)
Loops Automation LLC	Petro Energy - Sudan	Manufacturing of Transfer Flow Metering Skid

# Details of some recently executed jobs



Name of the Job: Boiler FD Fan  
Suction Silencer

Client : Descon

End User : Adnoc LNG

Year : 2022



Name of the Job: Conventional Manifold Skid

Client : Al Asab Gen. Contracting

End User : Adnoc Onshore

Year : 2022



Name of the Job: Multiport Selector  
Manifold Skid

Client : Petrofac Emirates LLC

End User : Adnoc Onshore

Year : 2022



Name of the Job: Multiport Selector  
Manifold Skid

Client : Al Asab Gen. Contracting

End User : Adnoc Onshore

Year : 2022



Name of Job : Chemical Injection Skid

Client : ALSA ENGG

End User : ADCO

Year : 2016



Name of Job : Chemical Injection Skid  
Client : China Petroleum  
End User : Gazprom  
Year : 2013



Name of Job : RIG LEG FABRICATION  
Client : GULF MARINE SERVICES  
Year : 2015



Name of Job : Skid Mounted Electrostatic  
Coalescer Vessels

Client : Process Group Int.

Year : 2014



Name of Job : Electro Chlorination  
Skid Package

Client : Cumberland

End User : ADMA OPCO

Year : 2014



Name of Job : Mooring System

Client : ZADCO

Year : 2014



Name of Job : Separator Pressure Vessel

Client : Process Group Int

Year : 2013



Name of Job : CPI Tank

Client : Process Group Int

Year : 2012



Name of Job : Oil Drain Pressure  
Vessel – ‘U’ Stamp

Client : CPECC

End User : ADCO

Year : 2010



Name of Job : Knock-Out Drum  
( 'U' Stamp )

Client : Litwin Pel

End User : TAKREER

Year : 2010



Name of Job : Fuel Gas Conditioning Skid

Client : Texas International

End User : Qatar Petroleum

Year : 2005



Name of Job : Gas Metering Skid  
Client : Loops Automation  
End User : Crescent Petroleum  
Year : 2005



Name of Job : Process Piping Spool  
Fabrication(SS304L)

Client : ADGAS- DAS ISLAND

End User : ADGAS

Year : 2009



Name of Job : Fire Hydrants  
Client : Kidde Products Ltd  
End User : ADCO  
Year : 2011



Name of Job : Floating Pontoon

Client : NMDC

Year : 2011



Name of Job : Access Modules  
Client : Punj Lloyd Ltd  
End User : Takreer - Ruwais  
Year : 2008

## Workshop

- ✓ Fully equipped workshop to carryout any kind of fabrication.
- ✓ ~ 24000 Sqm total area.
- ✓ The company has a permanent team of 100 personnel and engineers who are experienced in their own discipline
- ✓ Fully equipped machine shop for fabrication support.
- ✓ Separate two different painting and separate dedicated blasting shop.
- ✓ Fully equipped Cement lining shop.
- ✓ Extremely large open yard for material storage and handling.
- ✓ EOT Cranes 5 MT each – 4 Nos.
- ✓ Fork Lifts – 7 MT each – 3 Nos.
- ✓ CNC Machine to support quick fabrication and quality.
- ✓ Complete gamut of fabrication facilities available in-house.
- ✓ Company has approved welding procedures for almost all commonly used metallurgy

# Workshop

## **Prefabricated plant piping and skid mounted equipment**

Pre-fabricated pipe spools can be shipped from workshop complete after NDT and hydrotest.

Pre-fabricated piping helps in achieving:

- better quality due to controlled shop atmosphere - shorter time schedule
- reduction in site activities
- lower costs

Our workshop has facilities for fabrication and supply of equipment skids complete with all instruments and accessories. These skids can be designed based on transportation requirements and suitable site splices locations can be provided.

We have access to sea and road transport through our works.

## Office and Administration

- ✓ All detailing, procurement, planning and accounting related activities are performed by dedicated and experienced engineers and staff.
- ✓ 2,600 Sqm of fully equipped office.
- ✓ Latest software & hardware facilities
- ✓ Licensed software available detailing and editing.
- ✓ Company owns licenses for CRM , HRMS and many specific software for Fabrication, Sales and Administration support.
- ✓ Office with complete power backup and redundant 24 hr internet connectivity.
- ✓ Dedicated Sales staff for customer relationship and support.

# transportation



C&J Provides  
Transportation Via  
Barge/Sea

# transportation



C&J Provides  
Transportation Via  
Road

# Registrations

- ✓ ADNOC ONSHORE
- ✓ Borouge
- ✓ ADNOC OFFSHORE
- ✓ ADNOC REFINING
- ✓ FERTIL
- ✓ ADNOC GAS PROCESSING

- ✓ NDC
- ✓ NMDC
- ✓ NPCC
- ✓ ADNOC LNG
- ✓ ENOC
- ✓ CBI MC  
DERMOTT

- ✓ ADWEA
- ✓ ADNOC Distribution
- ✓ ADNEC
- ✓ ADSB
- ✓ Dubai Dry Docks
- ✓ FLUOR

..... Many More.....

# Major Clients



# Major Clients



# Words of Appreciation

National Petroleum Construction Company  
 P.O. Box 2058  
 Abu Dhabi  
 United Arab Emirates  
 Tel. +971 2 5549000  
 Fax +971 2 5549229

26/03/2014

## LETTER OF COMPLETION

We hereby inform that C&J GULF PIPE COATING-EST., P.O. Box 7702, Abu Dhabi, UAE has successfully completed the internal Cement Lining of carbon steel pipes, flanges & elbows, all in accordance with NPCC Service Order No.: PRJ-SEC-2011/439/A dated 10/07/2011 for Zirku Facilities Zirku Island Power Upgrade Project.

Their professional way to deliver the quality workmanship in a timely manner has been appreciated by NPCC for our fast track project. As such it would be a great pleasure that we would recommend them to other customers and I will be looking to use them again in the near future.

For and in behalf of NPCC,

  
 Issam Mujahed  
 Project Director



Their professional way to deliver the quality workmanship in a timely manner has been appreciated by NPCC for our fast track Project.

# Words of Appreciation



CB&I Reference: PO NO. 717346

DATE : 28 FEB 2012

CBI Eastern Arabia  
 ACICO Business Park  
 Sheikh Rashid Road, Port Saeed  
 Dubai, United Arab Emirates

Mail to: P.O. Box 2760  
 Dubai, United Arab Emirates  
 Tel : +971 4 260 8111  
 Fax : +971 4 294 2983  
 www.CBI.com

## CERTIFICATE OF COMPLETION

We hereby certify that C&J GULF PIPE COATING EST., PO BOX 7702, ABU DHABI, UAE has successfully completed the supply, and fabrication of Roof Platforms for CB&I's Tank Construction as part of Takreer RRE Package 3, Offsite and Utilities Project for Samsung Engineering and Construction Limited.

The scope of works was completed in satisfaction of quality requirements and was delivered in timely manner.

CB&I would certainly consider C&J in other projects in the future.

This certificate is issued at C&J's request.

  
 Alan Mendoza  
 Project Manager



The scope of Work was completed in satisfaction of quality requirements and was delivered in timely manner.



**Thanks For Attention**

C&J Gulf Equipment Manufacturing L.L.C

P.O Box 7702, Abu Dhabi , UAE. Tel.: +971 2 5553453, 5540809

Fax: +971 2 5553966

**E-mail :** [cjeng@cjengsales.ae](mailto:cjeng@cjengsales.ae)

**Website :** [www.cjengg.com](http://www.cjengg.com)

